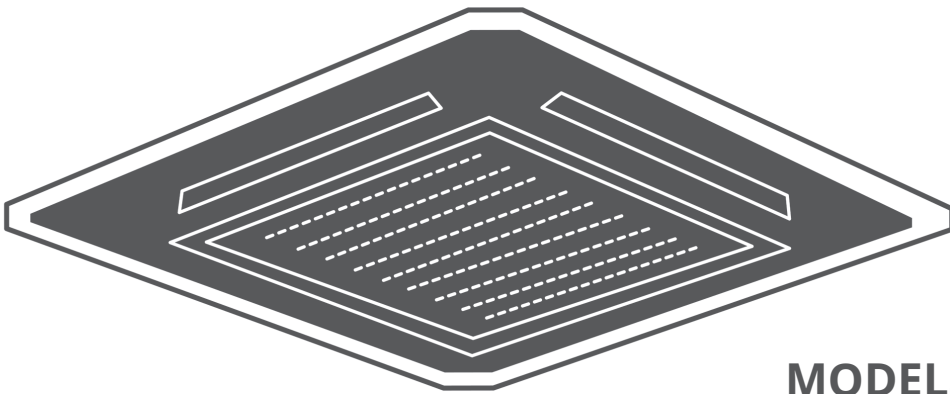




AIR CONDITIONING SYSTEMS

CASSETTE TYPE

- **USER'S MANUAL**
- **ΕΓΧΕΙΡΙΔΙΟ ΧΡΗΣΗΣ**
- **MANUAL UTILIZATORULUI**
- **BENUTZERHANDBUCH**



MODELS:

V5MCI32-18WiFiR/U5MRS32-18
V5MCI32-24WiFiR/U5MRS32-24
V5MCI32-36WiFiR/U5MRS32-36
V5MCI32-50WiFiR/U5MRT32-50
V5MCI32-60WiFiR/U5MRT32-60



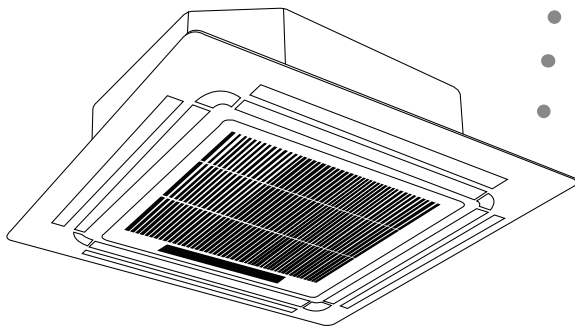
Table of Contents

Owner's Manual

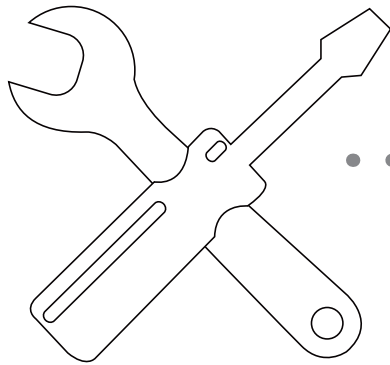
1 Safety Precautions04



2 Indoor Unit Parts and Major Functions..... 06



3 Manual Operations.....08

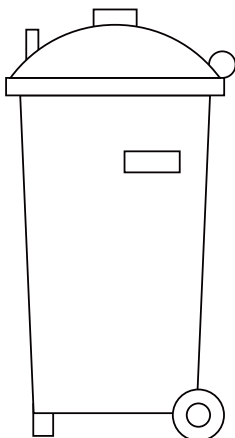
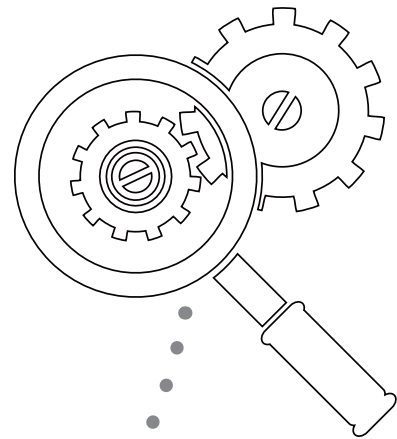


4 Care and Maintenance..... 09

- a. Unit Maintenance..... 09
- b. How to Clean the Air Filter..... 09
- c. Repairing Refrigerant Leaks..... 10
- d. Preparation for Periods of Non-use..... 10

5 Troubleshooting..... 11

- a. Common Problems..... 11
- b. Troubleshooting Tips..... 12



6 European Disposal Guidelines..... 14



**Caution: Risk of fire/
flammable materials**

WARNING: Servicing shall only be performed as recommended by the equipment manufacturer. Maintenance and repair requiring the assistance of other skilled personnel shall be carried out under the supervision of the person competent in the use of flammable refrigerants. For more details ,please refer to the Information on servicing on INSTALLATION MANUAL. (This is only required for the unit adopts R32/R290 Refrigerant)

Safety Precautions

1

Thank you for purchasing this air conditioner. This manual will provide you with information on how to operate, maintain, and troubleshoot your air conditioner. Following the instructions will ensure the proper function and extended lifespan of your unit.

Please pay attention to the following signs:



WARNING

Failure to observe a warning may result in death. The appliance must be installed in accordance with national regulations.



CAUTION

Failure to observe a caution may result in injury or equipment damage.



WARNING

- Ask an authorized dealer to install this air conditioner. Inappropriate installation may cause water leakage, electric shock, or fire.
- The warranty will be voided if the unit is not installed by professionals.
- If abnormal situation arises (like burning smell), turn off the power supply and call your dealer for instructions to avoid electric shock, fire or injury.
- **DO NOT** let the indoor unit or the remote control get wet. It may cause electric shock or fire.
- **DO NOT** insert fingers, rods or other objects into the air inlet or outlet. This may cause injury, since the fan may be rotating at high speeds.
- **DO NOT** use a flammable spray such as hair spray, lacquer or paint near the unit. This may cause fire or combustion.
- Do not use means to accelerate the defrosting process or to clean, other than those recommended by the manufacturer.
- The appliance shall be stored in a room without continuously operating ignition sources (for example: open flames, an operating gas appliance or an operating electric heater).
- The appliance shall be stored so as to prevent mechanical damage from occurring.

- Be aware that the refrigerants may not contain an odour.
- Compliance with national gas regulations shall be observed.
- Keep ventilation openings clear of obstruction.

NOTE: The following informations are required for the units adopt R32/R290 Refrigerant.

- **DO NOT** pierce or burn.
- A warning that the appliance shall be stored in a well-ventilated area where the room size corresponds to the room area as specified for operation.
- Any person who is involved with working on or breaking into a refrigerant circuit should hold a current valid certificate from an industry-accredited assessment authority, which authorises their competence to handle refrigerants safely in accordance with an industry recognised assessment specification.
- Servicing shall only be performed as recommended by the equipment manufacturer. Maintenance and repair requiring the assistance of other skilled personnel shall be carried out under the supervision of the person competent in the use of flammable refrigerants.
- If the supply cord is damaged, it must be replaced by the manufacturer, its service agent or similarly qualified persons in order to avoid a hazard.

CAUTION

- **DO NOT** touch the air outlet while the swing flap is in motion. Fingers might get caught or the unit may break down.
 - **DO NOT** inspect the unit by yourself. Ask an authorized dealer to perform the inspection.
 - To prevent product deterioration, do not use the air conditioner for preservation purposes (storage of food, plants, animals, works of art, etc.).
 - **DO NOT** touch the evaporator coils inside the indoor unit. The evaporator coils are sharp and may cause injury.
 - **DO NOT** operate the air conditioner with wet hands. It may cause electric shock.
 - **DO NOT** place items that might be affected by moisture damage under the indoor unit. Condensation can occur at a relative humidity of 80%.
 - **DO NOT** expose heat-producing appliances to cold air or place them under the indoor unit. This may cause incomplete combustion or deformation of the unit due to the heat.
 - After long periods of usage, check the indoor unit to see if anything is damaged. If the indoor unit is damaged, it may fall and cause injury.
 - If the air conditioner is used together with other heating devices, thoroughly ventilate the room to avoid oxygen deficiency.
 - **DO NOT** climb onto or place objects on top of the outdoor unit.
 - **DO NOT** operate the air conditioner when using fumigant insecticides. The chemicals may become layered with the unit and endanger those who are hypersensitive to chemicals.
 - **DO NOT** let children play with the air conditioner.
 - **DO NOT** operate the air conditioner in a wet room (e.g. bathroom or laundry room). This can cause electrical shock and cause the product to deteriorate.
- This appliance can be used by children aged from 8 years and above and persons with reduced physical, sensory or mental capabilities or lack of experience and knowledge if they have been given supervision or instruction concerning use of the appliance in a safe way and understand the hazards involved. Children shall not play with the appliance. Cleaning and user maintenance shall not be made by children without supervision.
 - The appliance shall be installed in accordance with national wiring regulations.
 - The indoor unit must be installed 2,5m above floor.
 - An all-pole disconnection device which has at least 3mm separation distance in all pole and a residual current device (RCD) with the rating of above 10mA shall be incorporated in the fixed wiring according to the national rule.

Indoor Unit Parts And Major Functions

2

Unit Parts

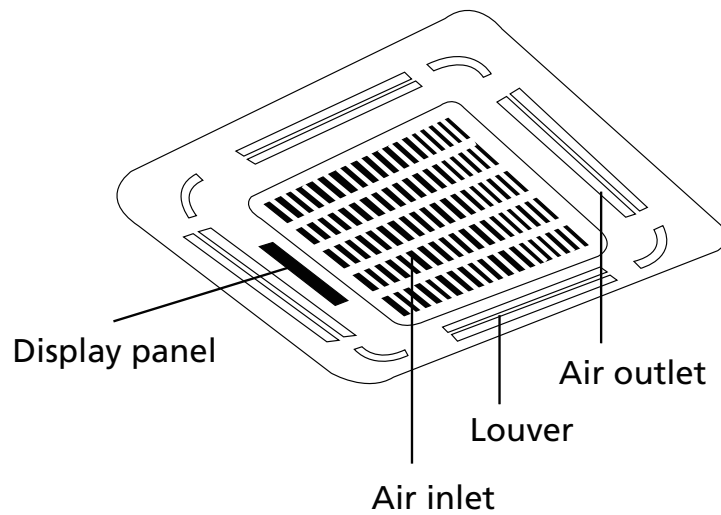


Fig. 2.1

Operating Conditions

Use the system under the following temperatures for safe and effective operation. If the air conditioner is used under different conditions, it may malfunction or become less efficient.

	COOL Mode	HEAT mode	DRY mode
Indoor Temperature	17-32°C (62-90°F)	0-30°C (32-86°F)	17-32°C (62-90°F)
Outdoor Temperature	0-50°C (32-122°F)		
	-15-50°C (5-122°F) (low temperature cooling models)	-15-24°C (5-76°F)	0-50°C (32-122°F)

Features

Default Setting

When the air conditioner restarts after a power failure, it will default to the factory settings (AUTO mode, AUTO fan, 24°C (76°F)). This may cause inconsistencies on the remote control and unit panel. Use your remote control to update the status.

Auto-Restart (some models)

In case of power failure, the system will immediately stop. When power returns, the Operation light on the indoor unit will flash. To restart the unit, press the **ON/OFF** button on the remote control. If the system has an auto restart function, the unit will restart using the same settings.

Louver Angle Memory Function (Optional)

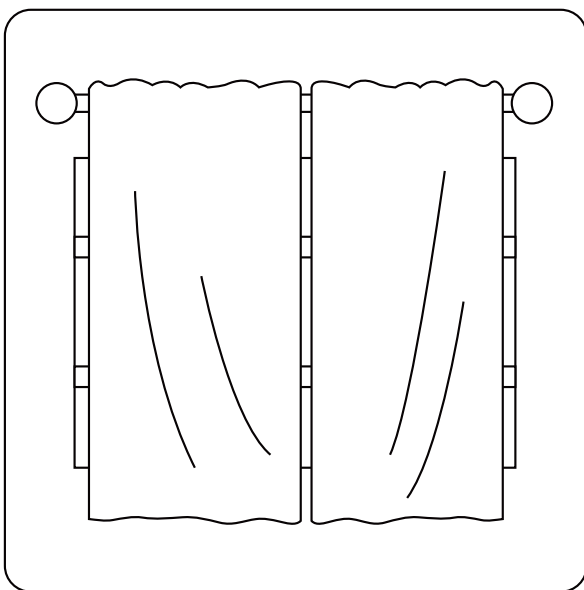
Some models are designed with a louver angle memory function. When the unit restarts after a power failure, the angle of the horizontal louvers will automatically return to the previous position. The angle of the horizontal louver should not be set too small as condensation may form and drip into the machine. To reset the louver, press the manual button, which will reset the horizontal louver settings.

Refrigerant Leak Detection System (some models)

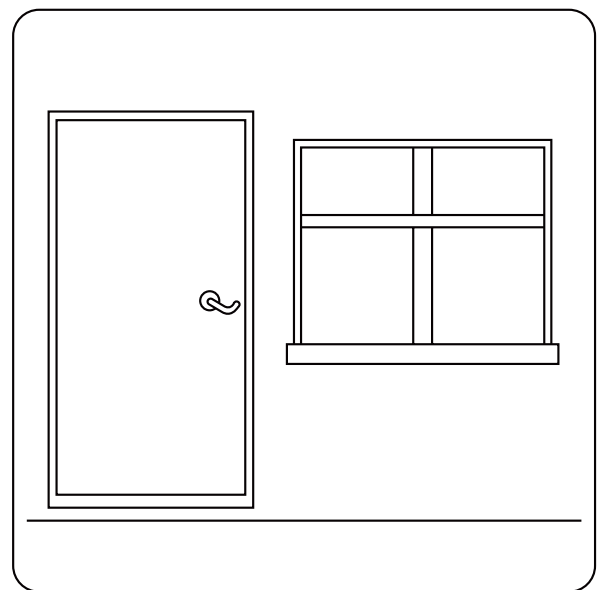
In the event of a refrigerant leak, the LCD screen will display "EC" and the LED indicator light will flash.

Energy Saving Tips

- **DO NOT** set the unit to excessive temperature levels.
- While cooling, close the curtains to avoid direct sunlight.
- Doors and windows should be kept closed to keep cool or warm air in the room.
- **DO NOT** place objects near the air inlet and outlet of the unit. This will reduce the efficiency of the unit.
- Set a timer and use the built-in SLEEP/ECONOMY mode if applicable.
- If you don't plan to use the unit for a long time, remove the batteries from the remote control.
- Clean the air filter every two weeks. A dirty filter can reduce cooling or heating efficiency.
- Adjust louvers properly and avoid direct airflow.



Closing curtains during heating also helps keep the heat in



Doors and windows should be kept closed

This display panel on the indoor unit can be used to operate the unit in case the remote control has been misplaced or is out of batteries.

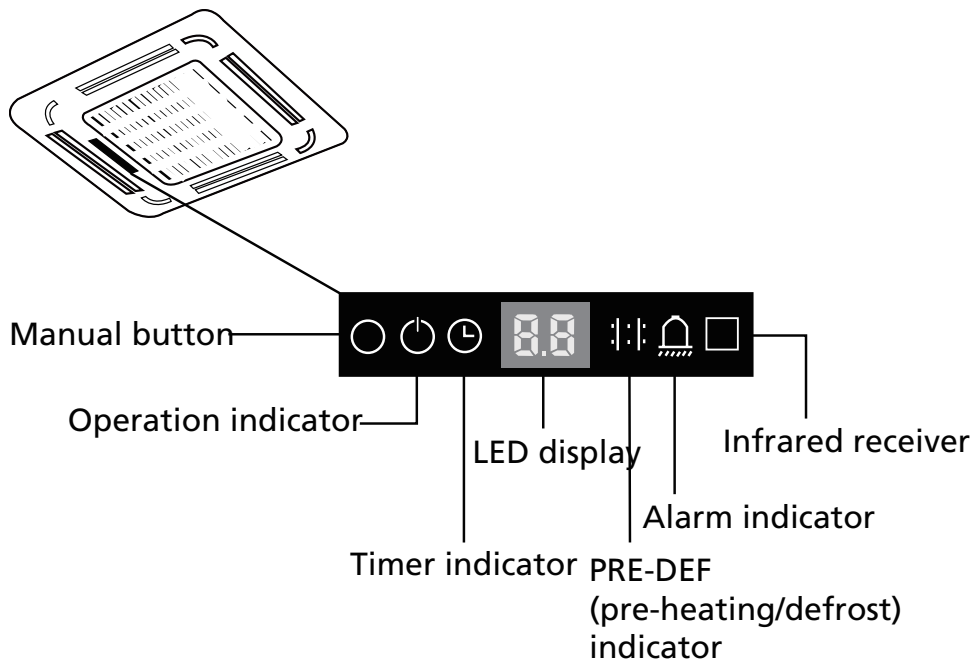


Fig. 3.1

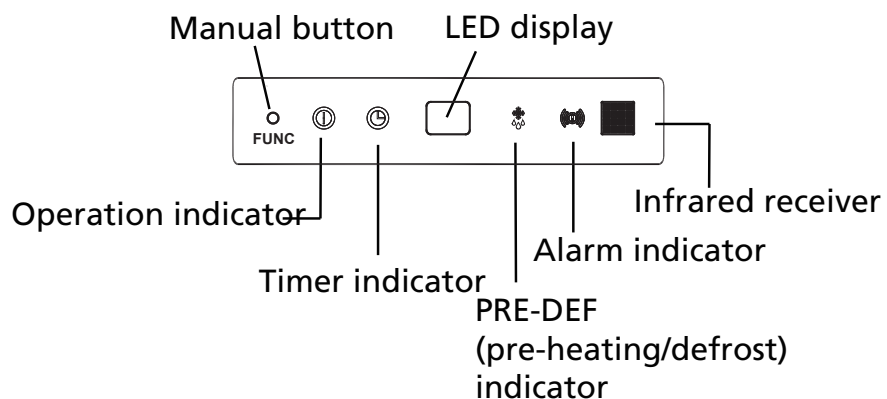


Fig. 3.2

- **MANUAL button:** This button selects the mode in the following order: AUTO, FORCED COOL, OFF.
- **FORCED COOL mode:** In FORCED COOL mode, the Operation light flashes. The system will then turn to AUTO after it has cooled with a high wind speed for 30 minutes. The remote control will be disabled during this operation.
- **OFF mode:** When the panel is turned OFF, the unit turns off and the remote control is re-enabled.

Safety Precautions

- Contact an authorized service technician for repair or maintenance. Improper repair and maintenance may cause water leakage, electrical shock, or fire, and may void your warranty.
- **DO NOT** substitute a blown fuse with a higher or lower amperage rating fuse, as this may cause circuit damage or an electrical fire.
- Make sure the drain hose is set up according to the instructions. Failure to do so could cause leakage and result in personal property damage, fire and electric shock.
- Make sure that all wires are connected properly. Failure to connect wires according to instructions can result in electrical shock or fire.

Unit Maintenance

BEFORE CLEANING OR MAINTENANCE

- Always turn off your air conditioning system and disconnect the power supply before cleaning or maintenance.
- **DO NOT** use chemicals or chemically treated cloths to clean the unit.
- **DO NOT** use benzene, paint thinner, polishing powder or other solvents to clean the unit. They can cause the plastic surface to crack or deform.
- **DO NOT** wash the unit under running water. Doing so causes an electrical hazard.
- **DO NOT** use water hotter than 40°C (104°F) to clean the front panel. This can cause the panel to become deformed or discolored.
- Clean the unit using a damp, lint-free cloth and neutral detergent. Dry the unit with a dry, lint-free cloth.

How To Clean The Air Filter

The filter prevents dust and other particles from entering the indoor unit. Dust buildup can reduce the efficiency of the air conditioner. For optimum efficiency, clean the air filter every two weeks or more frequently if you live in a dusty area. Replace the filter with a new one if it's heavily clogged and cannot be cleaned.

WARNING: DO NOT REMOVE OR CLEAN THE FILTER BY YOURSELF

Removing and cleaning the filter can be dangerous. Removal and maintenance must be performed by a certified technician.

NOTE: In households with animals, you will have to periodically wipe down the grille to prevent animal hair blocking airflow.

1. Unlock the grille by pushing the two tabs towards the middle simultaneously.
2. Unplug the display panel cable from the control box on the main body.

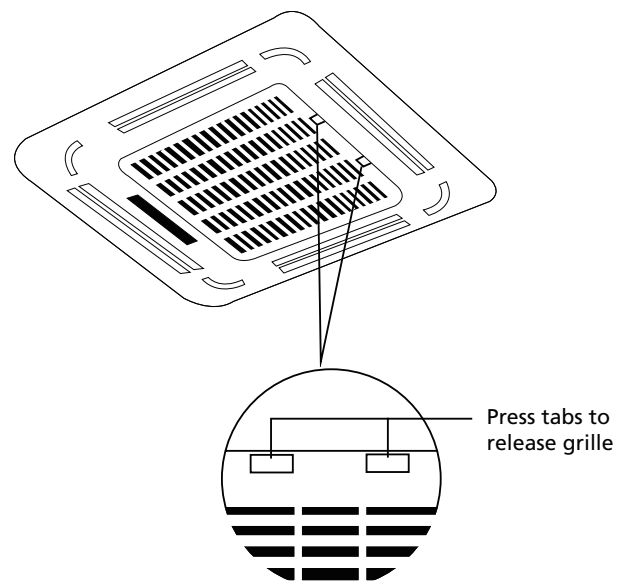


Fig. 4.1

3. Detach the grille from the main unit by holding the grille at a 45° angle, lifting it up slightly and then pulling the grille forward.

NOTE: Some models include an auto-lifting panel function, which allows the grill to move vertically and simplifies the filter cleaning process.

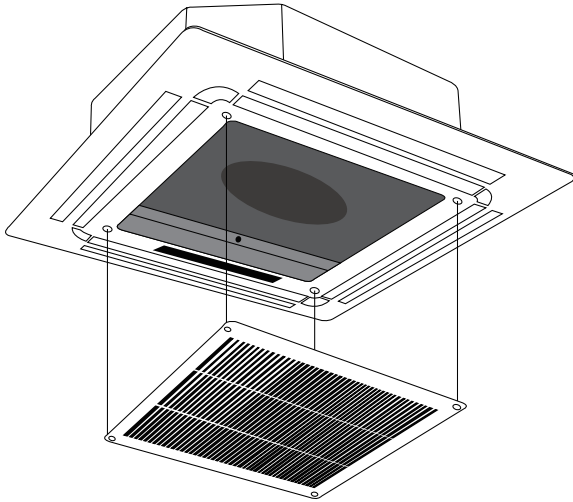


Fig. 4.2

4. Remove the air filter.
5. Clean the air filter by vacuuming the surface or washing it in warm water with mild detergent.
 - A. If using a vacuum cleaner, the inlet side should face the vacuum.

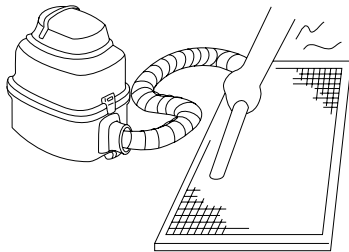


Fig. 4.3

- B. If using water, the inlet side should face down and away from the water stream.

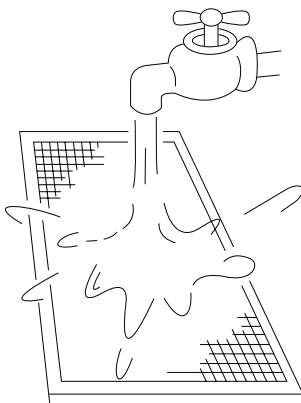


Fig. 4.4

6. Rinse the filter with clean water and allow it to air-dry. **DO NOT** let the filter dry in direct sunlight.
7. Reinstall the filter.
8. Reinstall the front grille and reconnect the display panel cable to the control box on the main body.

Repairing Refrigerant Leaks

! WARNING

- If the refrigerant leaks, turn off the air conditioner and any combustible heating devices, ventilate the room and call your dealer immediately. Refrigerant is both toxic and flammable. **DO NOT** use the air conditioner until the leak is repaired.
- When the air conditioner is installed in a small room, measures must be taken to prevent the refrigerant concentration from exceeding the safety limit in the event of refrigerant leakage. Concentrated refrigerant causes a severe health and safety threat.

Refrigerant Leak Detection System (some models)

- In the event of a refrigerant leak, the LCD screen will display "EC" and the LED indicator light will flash.

Preparation For Periods Of Non-Use

Maintenance after Extended Non-Use

1. Remove any obstacles blocking the vents of both the indoor and outdoor units.
2. Clean the air filter and the front grille of the indoor unit. Reinstall the clean, dry air filter in its original position.
3. Turn on the main power switch at least 12 hours prior to operating the unit.

Storing the Unit While Not In Use

1. Run the appliance on FAN mode for 12 hours in a warm room to dry it and prevent mold.
2. Turn off the appliance and unplug it.
3. Clean the air filter according to the instructions in the previous section. Reinstall the clean, dry filter before storing.
4. Remove the batteries from the remote control.

! CAUTIONS

If one of the following conditions occurs, switch off the power supply immediately and contact your dealer for further assistance.

- The operation light continues to flash rapidly after the unit has been restarted.
- The remote control buttons do not work.
- The unit continually trips fuses or circuit breakers.
- A foreign object or water enters the air conditioner.
- Other abnormal situations.

Common Problems

The following symptoms are not a malfunction and in most situations will not require repairs.

Problem	Possible Causes
Unit does not turn on when pressing ON/OFF button	The unit has a 3-minute protection feature that prevents the unit from overloading. The unit cannot be restarted within three minutes of being turned off.
	Cooling and Heating Models: If the Operation light and PRE-DEF (Pre-heating/Defrost) indicators are lit up, the outdoor temperature is too cold and the unit's anti-cold wind is activated in order to defrost the unit.
	In Cooling-only Models: If the "Fan Only" indicator is lit up, the outdoor temperature is too cold and the unit's anti-freeze protection is activated in order to defrost the unit.
The unit changes from COOL mode to FAN mode	The unit changes its setting to prevent frost from forming on the unit. Once the temperature increases, the unit will start operating again.
	The set temperature has been reached, at which point the unit turns off the compressor. The unit will resume operating when the temperature fluctuates again.
The indoor unit emits white mist	In humid regions, a large temperature difference between the room's air and the conditioned air can cause white mist.
Both the indoor and outdoor units emit white mist	When the unit restarts in HEAT mode after defrosting, white mist may be emitted due to moisture generated from the defrosting process.
The indoor unit makes noises	A squeaking sound is heard when the system is OFF or in COOL mode. The noise is also heard when the drain pump (optional) is in operation.
	A squeaking sound may occur after running the unit in HEAT mode due to expansion and contraction of the unit's plastic parts.
Both the indoor unit and outdoor unit make noises	A low hissing sound may occur during operation. This is normal and is caused by refrigerant gas flowing through both the indoor and outdoor units.
	A low hissing sound may be heard when the system starts, has just stopped running or is defrosting. This noise is normal and is caused by the refrigerant gas stopping or changing direction.
The outdoor unit makes noises	The unit will make different sounds based on its current operating mode.

Problem	Possible Causes
Dust is emitted from either the indoor or outdoor unit	The unit may accumulate dust during extended periods of non-use, which will be emitted when the unit is turned on. This can be mitigated by covering the unit during long periods of inactivity.
The unit emits a bad odor	The unit may absorb odors from the environment (such as furniture, cooking, cigarettes, etc.) which will be emitted during operations.
	The unit's filters have become moldy and should be cleaned.
The fan of the outdoor unit does not operate	During operation, the fan speed is controlled to optimize product operation.

Troubleshooting Tips

When troubles occur, please check the following points before contacting a repair company.

Problem	Possible Causes	Solution
The unit is not working	Power failure	Wait for the power to be restored
	The power switch is off	Turn on the power
	The fuse is burned out	Replace the fuse
	Remote control batteries are dead	Replace the remote control batteries
	The unit's 3-minute protection has been activated	Wait three minutes after restarting the unit
Poor cooling performance	Temperature setting may be higher than the ambient room temperature	Lower the temperature setting
	The heat exchanger on the indoor or outdoor unit is dirty	Clean the affected heat exchanger
	The air filter is dirty	Remove the filter and clean it according to instructions
	The air inlet or outlet of either unit is blocked	Turn the unit off, remove the obstruction and turn it back on
	Doors and windows are open	Make sure that all doors and windows are closed while operating the unit
	Excessive heat is generated by sunlight	Close windows and curtains during periods of high heat or bright sunshine
	Low refrigerant due to leak or long-term use	Check for leaks, re-seal if necessary and top off refrigerant
The unit starts and stops frequently	There's too much or too little refrigerant in the system	Check for leaks and recharge the system with refrigerant
	There is air, incompressible gas or foreign material in the refrigeration system.	Evacuate and recharge the system with refrigerant
	System circuit is blocked	Determine which circuit is blocked and replace the malfunctioning piece of equipment
	The compressor is broken	Replace the compressor
	The voltage is too high or too low	Install a manostat to regulate the voltage
Poor heating performance	The outdoor temperature is lower than 7°C (44.5°F)	Check for leaks and recharge the system with refrigerant
	Cold air is entering through doors and windows	Make sure that all doors and windows are closed during use
	Low refrigerant due to leak or long-term use	Check for leaks, re-seal if necessary and top off refrigerant

Error Codes



Number	Cause	The number of flashes per second	Timer indicator	Error Code
1	Indoor EEPROM (Electrically Erasable Programmable Read-Only Memory) error	1	Off	E0
2	Indoor and outdoor unit communication malfunction	2	Off	E1
3	Indoor fan speed malfunction	4	Off	E3
4	Indoor room temperature sensor error	5	Off	E4
5	Evaporator coil temperature sensor error	6	Off	E5
6	Refrigerant leak detection system malfunction	7	Off	EC
7	Water level alarm malfunction	8	Off	EE
8	Dual indoor unit (twin model only) communication malfunction	9	Off	EB
9	Other twin model malfunction	10	Off	E9
10	Overload protection	1	On	F0
11	Outdoor temperature sensor error	2	On	F1
12	Outdoor condenser pipe sensor error	3	On	F2
13	Discharge air temperature sensor error	4	On	F3
14	Outdoor EEPROM (Electrically Erasable Programmable Read-Only Memory) error	5	On	F4
15	Outdoor fan speed (DC fan motor only) malfunction	6	On	F5
16	Auto-lifting panel communication error	8	On	F7
17	Auto-lifting panel malfunction	9	On	F8
18	Auto-lifting panel is open	10	On	F9
19	Inverter module IPM protection	1	Flash	P0
20	High/Low voltage protection	2	Flash	P1
21	Compressor top overheating protection	3	Flash	P2
22	Outdoor low temperature protection	4	Flash	P3
23	Compressor drive error	5	Flash	P4
24	Mode conflict	6	Flash	P5
25	Compressor low-pressure protection	7	Flash	P6
26	Outdoor IGBT sensor error	8	Flash	P7

Users in European Countries may be required to properly dispose of this unit. This appliance contains refrigerant and other potentially hazardous materials. When disposing of this appliance, the law requires special collection and treatment. **DO NOT** dispose of this product as household waste or unsorted municipal waste.

When disposing of this appliance, you have the following options:

- Dispose of the appliance at designated municipal electronic waste collection facility.
- When buying a new appliance, the retailer will take back the old appliance free of charge.
- The manufacturer will also take back the old appliance free of charge.
- Sell the appliance to certified scrap metal dealers.

NOTE: Disposing of this appliance in the forest or other natural surroundings endangers your health and is bad for the environment. Hazardous substances may leak into the ground water and enter the food chain.



The company may not be held responsible for any misprinted information. The design and the specifications of the product for reasons, such as product improvement, are subject to change without any prior notice. Please consult with the manufacturer or with the Sales agency for further details. Any future updates to the manual will be uploaded to the service website, and it is advised to always check for the latest version.

Activate your Warranty

- Visit our web site and activate your warranty via the below link or by scanning the QR code

<https://www.inventorairconditioner.com/warranty-inventor>



- Fill all the fields as shown below

To activate the warranty card, please fill in the following fields

Owner details	Unit details
Full Name* <input type="text"/>	Unit Type* <input type="text"/>
Address* <input type="text"/>	Serial Number of the indoor unit* <input type="text"/>
Postal Code* <input type="text"/>	Serial Number of the outdoor unit* <input type="text"/>
Phone Number* <input type="text"/>	Date of Purchase* <input type="text"/>
E-mail* <input type="text"/>	Invoice Number* <input type="text"/>
Subscribe to Inventor's Newsletter <input type="checkbox"/>	Additional Details <input type="text"/>

* Required field

With the current warranty card you accept the terms and conditions.

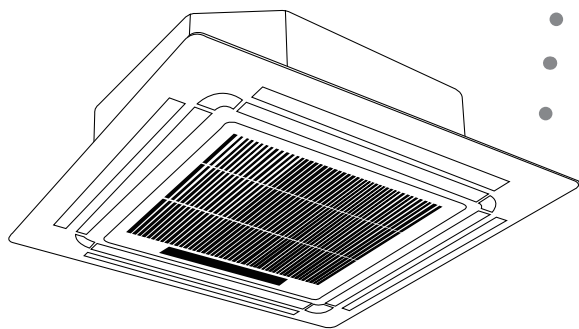
- once the warranty submission has been completed a confirmation message will be sent to your email

Πίνακας Περιεχομένων

Εγχειρίδιο Χρήσης

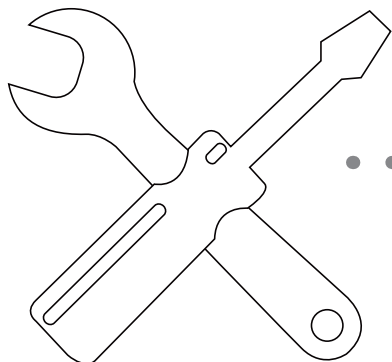
1 Προφυλάξεις Ασφαλείας 4

2 Εξαρτήματα και Λειτουργίες
της εσωτερικής μονάδας. 6

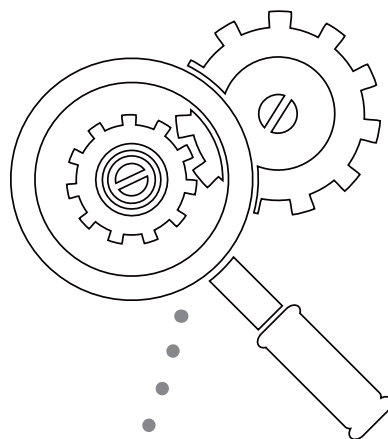


3 Χειροκίνητες Λειτουργίες 8

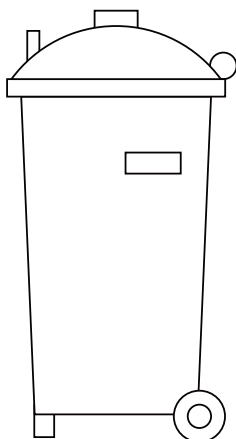
4	Φροντίδα και συντήρηση	9
	α. Συντήρηση της μονάδας	9
	β. Καθαρισμός του φίλτρου αέρα	9
	γ. Επισκευή διαρροών ψυκτικού μέσου	10
	δ. Προετοιμασία για περιόδους μη χρήσης	10



5	Επίλυση προβλημάτων.....	11
	α. Συνήθη προβλήματα	11
	β. Συμβουλές για την επίλυση προβλημάτων..	12



6	Ευρωπαϊκές Οδηγίες για την απόρριψη.....	14
----------	---	-----------



**Προσοχή: Κίνδυνος πυρκαγιάς/
Εύφλεκτα υλικά**

ΠΡΟΕΙΔΟΠΟΙΗΣΗ Το σέρβις θα πρέπει να εκτελείται μόνο με τον τρόπο που συνιστάται από τον κατασκευαστή. Οι εργασίες συντήρησης και επισκευής για τις οποίες απαιτείται η συνδρομή άλλου ειδικευμένου προσωπικού θα πρέπει να εκτελούνται υπό την επίβλεψη του ατόμου που είναι αρμόδιο για τη χρήση εύφλεκτων ψυκτικών μέσων. Για περισσότερα στοιχεία, ανατρέξτε στις πληροφορίες για το σέρβις στο ΕΓΧΕΙΡΙΔΙΟ ΕΓΚΑΤΑΣΤΑΣΗΣ. (Αυτό απαιτείται μόνο για τις μονάδες στις οποίες χρησιμοποιείται ψυκτικό μέσο R32/R290)

Προφυλάξεις Ασφαλείας

1

Σας ευχαριστούμε που αγοράσατε αυτό το κλιματιστικό. Αυτό το εγχειρίδιο παρέχει πληροφορίες σχετικά με τη λειτουργία, τη συντήρηση και την επίλυση προβλημάτων του κλιματιστικού σας. Η τήρηση των οδηγιών εξασφαλίζει τη σωστή λειτουργία και την παράταση της διάρκειας ζωής της μονάδας.

Πρέπει να δίνετε προσοχή στα ακόλουθα σύμβολα:



ΠΡΟΕΙΔΟΠΟΙΗΣΗ

Η μη τήρηση των οδηγιών μπορεί να οδηγήσει σε θάνατο. Η συσκευή πρέπει να εγκαθίσταται σε συμμόρφωση με τους εθνικούς κανονισμούς.



ΠΡΟΣΟΧΗ

Η μη τήρηση των οδηγιών μπορεί να οδηγήσει σε τραυματισμό ή φθορά της μονάδας.



ΠΡΟΕΙΔΟΠΟΙΗΣΗ

- Ζητήστε από έναν εξουσιοδοτημένο αντιπρόσωπο να εγκαταστήσει αυτό το κλιματιστικό. Αν η εγκατάσταση δεν γίνει σωστά, μπορεί να προκληθεί διαρροή νερού, ηλεκτροπληξία ή πυρκαγιά.
- Η εγγύηση ακυρώνεται, αν η μονάδα δεν εγκατασταθεί από επαγγελματίες.
- Αν προκύψει ασυνήθιστη λειτουργία (όπως οσμή υλικού που καίγεται), διακόψτε την παροχή ρεύματος και επικοινωνήστε με τον αντιπρόσωπο για οδηγίες σχετικά με την αποφυγή ηλεκτροπληξίας, πυρκαγιάς ή τραυματισμού.
- **MHN** αφήνετε να βραχεί η εσωτερική μονάδα ή το τηλεχειριστήριο. Μπορεί να προκληθεί ηλεκτροπληξία ή πυρκαγιά.
- **MH** βάζετε τα δάχτυλά σας, ραβδιά ή άλλα αντικείμενα στα ανοίγματα εισαγωγής ή εξαγωγής αέρα. Μπορεί να προκληθεί τραυματισμός, καθώς ο ανεμιστήρας περιστρέφεται με υψηλή ταχύτητα.
- **MH** χρησιμοποιείτε εύφλεκτα σπρέι όπως λακ, λούστρο ή βαφή κοντά στη μονάδα. Μπορεί να προκληθεί πυρκαγιά ή καύση των υλικών.
- **MH** χρησιμοποιείτε μέσα επιτάχυνσης της διαδικασίας απόψυξης ή μέσα καθαρισμού διαφορετικά από εκείνα που συνιστώνται από τον κατασκευαστή.
- Η συσκευή θα πρέπει να αποθηκεύεται σε χώρο όπου δεν υπάρχουν ενεργές πηγές ανάφλεξης (για παράδειγμα: ακάλυπτες φλόγες, ενεργές συσκευές αερίου ή ηλεκτρικοί θερμαντήρες).
- Η συσκευή θα πρέπει να αποθηκεύεται με τρόπο που δεν επιτρέπει την πρόκληση μηχανικής βλάβης.

- Πρέπει να γνωρίζετε ότι τα ψυκτικά μέσα δεν αναδίδουν οσμή.
 - Πρέπει να συμμορφώνεστε με τους εθνικούς κανονισμούς για τα αέρια.
 - Μη φράσσετε τα ανοίγματα εξαερισμού.
- ΣΗΜΕΙΩΣΗ:** Οι ακόλουθες πληροφορίες απαιτούνται για τις μονάδες με ψυκτικό μέσο R32/R290.
- **MHN** τρυπάτε και μην καίτε τη μονάδα.
 - Η συσκευή πρέπει να αποθηκεύεται σε καλά εξαεριζόμενο χώρο με μέγεθος που αντιστοιχεί στο προβλεπόμενο εμβαδόν για τη λειτουργία της.
 - Κάθε άτομο που εκτελεί εργασίες ή παρεμβαίνει σε κυκλώματα ψυκτικών μέσων θα πρέπει να είναι κάτοχος έγκυρου πιστοποιητικού από διαπιστευμένη αρχή αξιολόγησης, το οποίο θα εγκρίνει την επάρκεια του συγκεκριμένου ατόμου για τον ασφαλή χειρισμό ψυκτικών μέσων. Το πιστοποιητικό θα πρέπει να έχει εκδοθεί σε συμμόρφωση με κάποια προδιαγραφή αξιολόγησης που είναι αναγνωρισμένη στον κλάδο.
 - Το σέρβις θα πρέπει να εκτελείται μόνο με τον τρόπο που συνιστάται από τον κατασκευαστή του εξοπλισμού. Οι εργασίες συντήρησης και επισκευής για τις οποίες απαιτείται η συνδρομή άλλου ειδικευμένου προσωπικού θα πρέπει να εκτελούνται υπό την επίβλεψη του ατόμου που είναι αρμόδιο για τη χρήση εύφλεκτων ψυκτικών μέσων.
 - Αν το καλώδιο παροχής ρεύματος υποστεί ζημιά, πρέπει να αντικατασταθεί από τον κατασκευαστή, τον αντιπρόσωπο σέρβις ή από άλλο άτομο με παρόμοιες πιστοποιήσεις, ώστε να αποφεύγεται ο κίνδυνος.

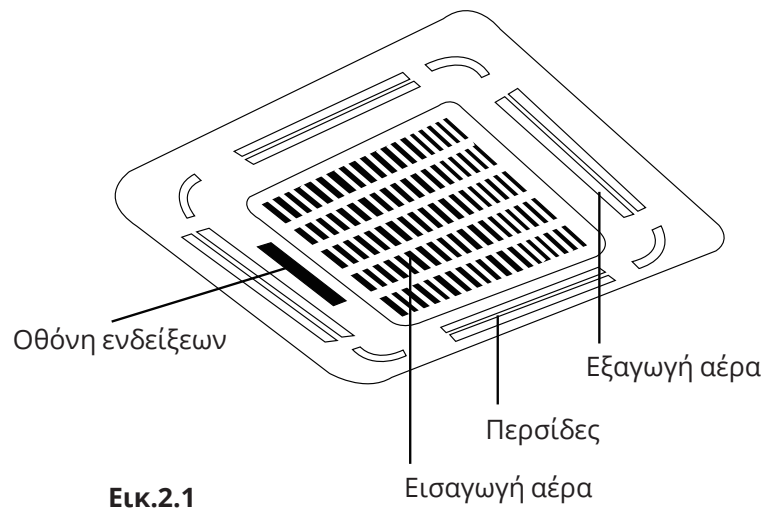
! ΠΡΟΣΟΧΗ

- **MHN** αγγίζετε το άνοιγμα εξαγωγής αέρα ενώ περιστρέφεται ο ανεμιστήρας. Μπορεί να παγιδευτούν τα δάχτυλά σας ή να υποστεί ζημιά η μονάδα.
- **MHN** εκτελείτε οι ίδιοι επιθεώρηση της μονάδας. Ζητήστε από έναν εξουσιοδοτημένο αντιπρόσωπο να εκτελέσει την επιθεώρηση.
- Για να αποφύγετε τη μείωση της απόδοσης του κλιματιστικού, μη το χρησιμοποιείτε για σκοπούς συντήρησης (αποθήκευση τροφίμων, φυτών, ζώων, έργων τέχνης κ.λπ.).
- **MHN** αγγίζετε τις σερπαντίνες του εξαμιστή μέσα στην εσωτερική μονάδα. Οι σερπαντίνες του εξαμιστή είναι αιχμηρές και μπορεί να προκαλέσουν τραυματισμούς.
- **MH** χειρίζεστε το κλιματιστικό με βρεγμένα χέρια. Μπορεί να προκληθεί ηλεκτροπληξία.
- **MHN** τοποθετείτε κάτω από την εσωτερική μονάδα αντικείμενα που μπορεί να υποστούν ζημιά από την υγρασία. Υγραποίηση υδρατμών μπορεί να προκύψει με σχετική υγρασία 80%.
- **MHN** εκθέτετε στον κρύο αέρα συσκευές που παράγουν θερμότητα και μην τις τοποθετείτε κάτω από την εσωτερική μονάδα. Μπορεί να προκληθεί ατελής καύση ή παραμόρφωση της μονάδας λόγω της θερμότητας.
- Μετά από μεγάλες περιόδους χρήσης πρέπει να ελέγχετε την εσωτερική μονάδα για να δείτε μήπως κάποιο εξάρτημα έχει πάθει ζημιά. Αν η εσωτερική μονάδα υποστεί ζημιά, μπορεί να πέσει και να προκαλέσει τραυματισμό.
- Αν το κλιματιστικό χρησιμοποιείται μαζί με άλλες συσκευές θέρμανσης, πρέπει να εξαερίζεται καλά ο χώρος για να μην προκύψει έλλειψη οξυγόνου.
- **MHN** ανεβαίνετε στην εξωτερική μονάδα και μην τοποθετείτε αντικείμενα πάνω της.
- **MH** θέτετε σε λειτουργία το κλιματιστικό όταν χρησιμοποιείτε εντομοκτόνα που παράγουν καπνό. Η μονάδα μπορεί να σχηματίσει στρώμα χημικών ουσιών και να θέσει σε κίνδυνο άτομα που είναι υπερευαίσθητα σε αυτές τις χημικές ουσίες.
- **MHN** αφήνετε τα παιδιά να παίζουν με το κλιματιστικό.
- **MH** χρησιμοποιείτε το κλιματιστικό σε χώρους με υγρασία (π.χ. σε λουτρό ή πλυσταριά). Μπορεί να προκληθεί ηλεκτροπληξία και μείωση της απόδοσης του προϊόντος.
- Αυτή η συσκευή μπορεί να χρησιμοποιηθεί από παιδιά ηλικίας 8 ετών και άνω και από άτομα με περιορισμένες σωματικές, αισθητήριες ή διανοητικές ικανότητες ή με ελλιπή εμπειρία και γνώσεις, αν η χρήση γίνεται υπό επίβλεψη ή αν τα άτομα αυτά έχουν λάβει οδηγίες σχετικά με την ασφαλή χρήση της συσκευής και κατανοούν τους κινδύνους που ενέχονται. Τα παιδιά δεν επιτρέπεται να παίζουν με τη συσκευή. Ο καθαρισμός και η συντήρηση δε θα πρέπει να εκτελούνται από παιδιά χωρίς επίβλεψη.
- Η συσκευή πρέπει να εγκατασταθεί σύμφωνα με τους εθνικούς κανονισμούς για τις ηλεκτρολογικές εγκαταστάσεις.
- Η εσωτερική μονάδα πρέπει να εγκατασταθεί σε ύψος 2,5 m πάνω από το δάπεδο.
- Στη σταθερή καλωδίωση θα πρέπει να ενσωματωθεί μια πολυπολική διάταξη αποσύνδεσης με διάκενο τουλάχιστον 3 mm σε όλους τους πόλους και μια διάταξη προστασίας από ρεύματα διαρροής (RCD) με ονομαστική τάση ρεύματος πάνω από 10 mA σύμφωνα με τους εθνικούς κανονισμούς.

Εξαρτήματα και κύριες λειτουργίες της εσωτερικής μονάδας

2

Εξαρτήματα της μονάδας



Εικ.2.1

Συνθήκες Λειτουργίας

Για ασφαλή και αποτελεσματική λειτουργία, πρέπει να χρησιμοποιείτε το σύστημα υπό τις ακόλουθες θερμοκρασίες. Αν το κλιματιστικό χρησιμοποιηθεί υπό διαφορετικές συνθήκες, μπορεί να προκύψει δυσλειτουργία ή να μειωθεί η απόδοσή του.

	Λειτουργία COOL (Ψύξη)	Λειτουργία HEAT (Θέρμανση)	Λειτουργία DRY (Αφύγρανση)
Εσωτερική θερμοκρασία	17-32°C (62-90°F)	0-30°C (32-86°F)	17-32°C (62-90°F)
Εξωτερική θερμοκρασία	0-50°C (32-122°F)		
	-15-50°C (5-122°F) <small>(μοντέλα χαμηλής θερμοκρασίας ψύξης)</small>	-15-24°C (5-76°F)	0-50°C (32-122°F)

Χαρακτηριστικά

Προεπιλεγμένη ρύθμιση

Όταν το κλιματιστικό επανεκκινείται μετά από διακοπή ρεύματος, εφαρμόζονται οι προεπιλεγμένες εργασιακές ρυθμίσεις [αυτόματη λειτουργία (AUTO), αυτόματη λειτουργία (AUTO) της φτερωτής, 24 °C (76 °F)]. Αυτό μπορεί να προκαλέσει ασυμφωνία ενδείξεων στο τηλεχειριστήριο και στον πίνακα της μονάδας. Χρησιμοποιήστε το τηλεχειριστήριο για να ενημερώσετε την κατάσταση.

Αυτόματη επανεκκίνηση

Σε περίπτωση διακοπής ρεύματος, η λειτουργία του συστήματος διακόπτεται αμέσως. Όταν το ρεύμα επανέλθει, η ενδεικτική λυχνία λειτουργίας στην εσωτερική μονάδα αρχίζει να αναβοσβήνει. Για να επανεκκινήσετε τη μονάδα, πατήστε το κουμπί ON/OFF στο τηλεχειριστήριο. Αν το σύστημα διαθέτει λειτουργία αυτόματης επανεκκίνησης, η μονάδα θα επανεκκινηθεί χρησιμοποιώντας τις ίδιες ρυθμίσεις.

Λειτουργία απομνημόνευσης γωνίας περσίδων (προαιρετικά)

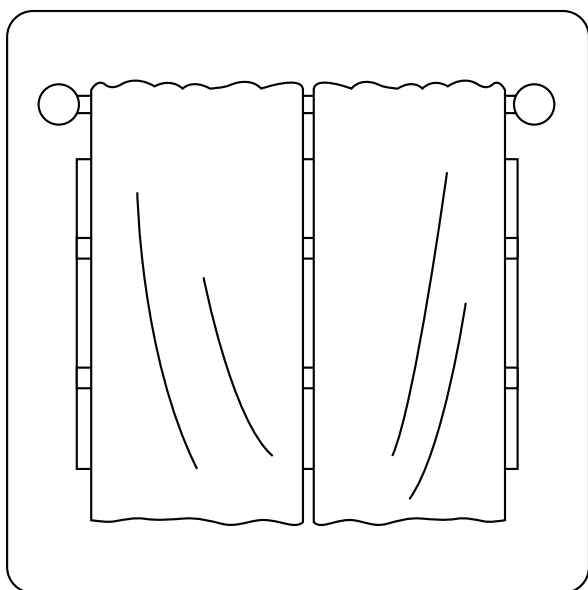
Ορισμένα μοντέλα είναι σχεδιασμένα με λειτουργία απομνημόνευσης της γωνίας των περσίδων. Όταν η μονάδα επανεκκινείται μετά από διακοπή ρεύματος, η γωνία των οριζόντιων περσίδων επανέρχεται αυτόματα στην προηγούμενη τιμή της. Η γωνία των οριζόντιων περσίδων δεν πρέπει να ρυθμίζεται σε υπερβολικά μικρή τιμή, γιατί μπορεί να αρχίσουν να στάζουν μέσα στο μηχάνημα. Για να επαναφέρετε τις περσίδες στην αρχική γωνία, πατήστε χειροκίνητα το πλήκτρο ελεγχόμενης λειτουργίας. Με αυτόν τον τρόπο, οι ρυθμίσεις των περσίδων επανέρχονται στις αρχικές τους τιμές.

Σύστημα εντοπισμού διαρροής ψυκτικού μέσου

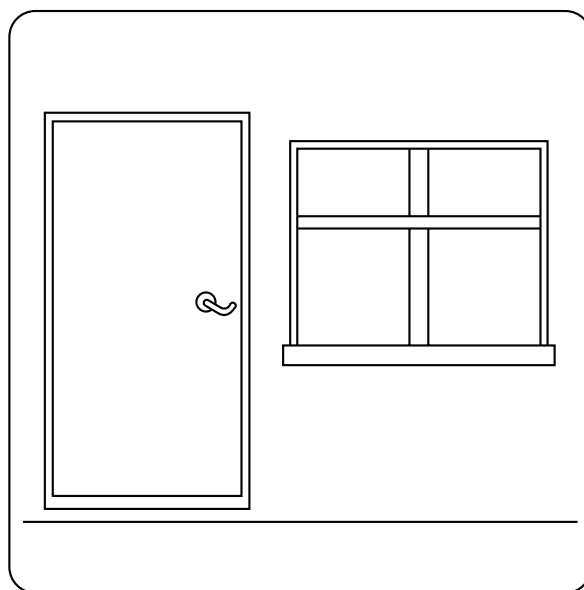
Σε περίπτωση διαρροής ψυκτικού μέσου, εμφανίζεται στην οθόνη LCD η ένδειξη „EC” και η ενδεικτική λυχνία LED αρχίζει να αναβοσβήνει.

Συμβουλές για εξοικονόμηση ενέργειας

- **ΜΗ** ρυθμίζετε τη μονάδα σε υπερβολικές θερμοκρασίες.
- Κατά τη λειτουργία ψύξης πρέπει να κλείνετε τις κουρτίνες για να αποφεύγετε το άμεσο ηλιακό φως.
- Οι πόρτες και τα παράθυρα πρέπει να διατηρούνται κλειστά για να παραμένει μέσα στον χώρο ο ψυχρός ή θερμός αέρας.
- **ΜΗΝ** τοποθετείτε αντικείμενα κοντά στα ανοίγματα εισαγωγής και εξαγωγής αέρα της μονάδας. Αυτό μειώνει την απόδοση της μονάδας.
- Ρυθμίστε έναν χρονοδιακόπτη και χρησιμοποιήστε την ενσωματωμένη λειτουργία SLEEP/ECONOMY (αναστολή λειτουργίας/οικονομική λειτουργία), αν αυτό είναι εφικτό.
- Αν δε σκοπεύετε να χρησιμοποιήσετε τη μονάδα για μεγάλο χρονικό διάστημα, αφαιρέστε τις μπαταρίες από το τηλεχειριστήριο.
- Πρέπει να καθαρίζετε το φίλτρο αέρα κάθε δύο εβδομάδες. Αν το φίλτρο βρομίσει, μειώνεται η απόδοση ψύξης ή θέρμανσης.
- Ρυθμίστε κατάλληλα τις περσίδες και αποφεύγετε την απευθείας έκθεση στο ρεύμα αέρα.



Το κλείσιμο των κουρτινών κατά τη θέρμανση μειώνει τις απώλειες θερμότητας

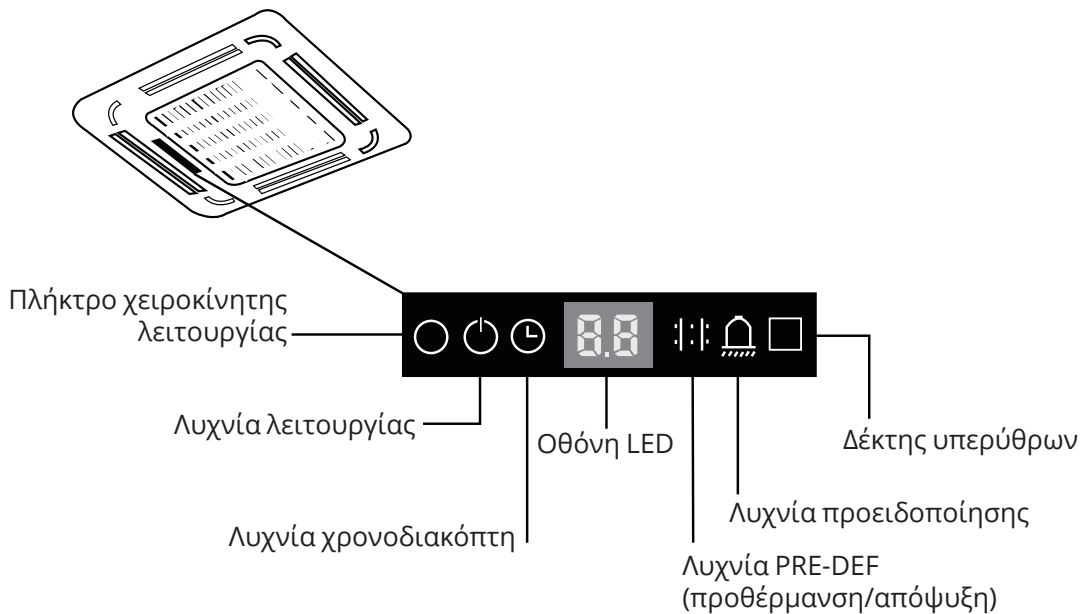


Οι πόρτες και τα παράθυρα πρέπει να διατηρούνται κλειστά

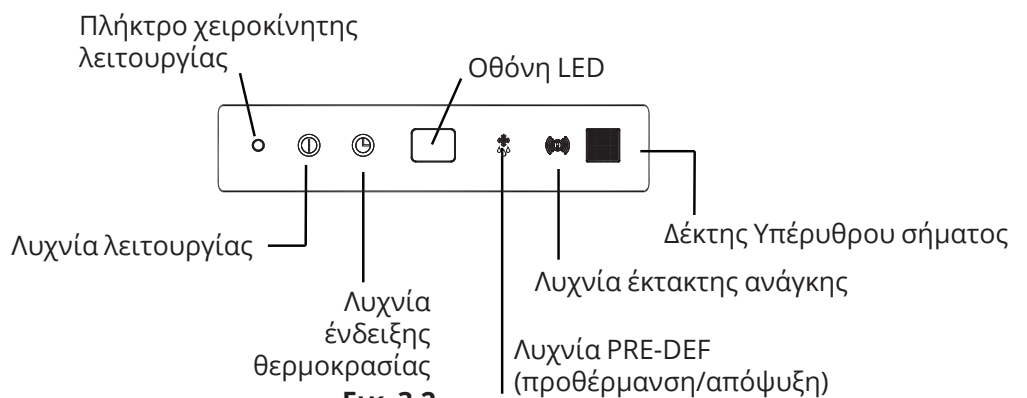
Χειροκίνητες Λειτουργίες

3

Αυτή η οθόνη στην εσωτερική μονάδα μπορεί να χρησιμοποιηθεί για τον χειρισμό της μονάδας, σε περίπτωση που χάσετε το τηλεχειριστήριο ή εξαντληθούν οι μπαταρίες του.



Εικ. 3.1



Εικ. 3.2

- **Πλήκτρο ΧΕΙΡΟΚΙΝΗΤΗΣ ΛΕΙΤΟΥΡΓΙΑΣ:** Επιλέγει τον τρόπο λειτουργίας με την ακόλουθη σειρά: AUTO (Αυτόματη), FORCED COOL (Εξαναγκασμένη ψύξη), OFF (Απενεργοποίηση).
- **Λειτουργία FORCED COOL (Εξαναγκασμένη ψύξη):** Κατά τη λειτουργία FORCED COOL, η ενδεικτική λυχνία λειτουργίας αναβοσβήνει. Στη συνέχεια, το σύστημα μεταβαίνει στη λειτουργία AUTO αφού ψύξει τον χώρο με αέρα υψηλής ταχύτητας για 30 λεπτά. Στη διάρκεια αυτής της λειτουργίας το τηλεχειριστήριο απενεργοποιείται.
- **Λειτουργία OFF (Απενεργοποίηση):** Όταν επιλέγεται η ρύθμιση OFF στον πίνακα, απενεργοποιείται η μονάδα και επανενεργοποιείται το τηλεχειριστήριο.

Προφυλάξεις Ασφαλείας

- Επικοινωνήστε με έναν εξουσιοδοτημένο τεχνικό του σέρβις για την επισκευή ή τη συντήρηση. Αν η επισκευή και η συντήρηση δε γίνουν σωστά, μπορεί να προκληθεί διαρροή νερού, ηλεκτροπληξία ή πυρκαγιά.
- **ΜΗΝ** αντικαθιστάτε μια καμένη ασφάλεια με άλλη ασφάλεια μεγαλύτερης ή μικρότερης ονομαστικής τάσης ρεύματος, γιατί μπορεί να προκληθεί ζημιά στο κύκλωμα ή πυρκαγιά.
- Βεβαιωθείτε ότι ο σωλήνας αποστράγγισης έχει τοποθετηθεί σύμφωνα με τις οδηγίες. Σε αντίθετη περίπτωση, μπορεί να προκύψει διαρροή και να προκληθούν υλικές ζημιές, πυρκαγιά και ηλεκτροπληξία.
- Βεβαιωθείτε ότι όλα τα καλώδια είναι σωστά συνδεδεμένα. Αν τα καλώδια δε συνδεθούν σύμφωνα με τις οδηγίες, μπορεί να προκληθεί ηλεκτροπληξία ή πυρκαγιά.

Συντήρηση της μονάδας

ΠΡΙΝ ΑΠΟ ΤΟΝ ΚΑΘΑΡΙΣΜΟ Ή ΤΗ ΣΥΝΤΗΡΗΣΗ

- Πριν από τον καθαρισμό ή τη συντήρηση πρέπει πάντα να απενεργοποιείτε το κλιματιστικό και να αποσυνδέετε την παροχή ρεύματος.
- **ΜΗΝ** χρησιμοποιείτε χημικές ουσίες ή πανιά που έχουν υποστεί χημική κατεργασία για να καθαρίσετε τη μονάδα.
- **ΜΗΝ** χρησιμοποιείτε βενζίνη, διαλυτικά βαφής, πούδρες στίλβωσης ή άλλα διαλυτικά μέσα για να καθαρίσετε τη μονάδα. Αυτά μπορεί να προκαλέσουν ρωγμές ή παραμορφώσεις στην πλαστική επιφάνεια.
- **ΜΗΝ** πλένετε τη μονάδα με τρεχούμενο νερό. Δημιουργείται κίνδυνος ηλεκτροπληξίας.
- **ΜΗΝ** χρησιμοποιείτε νερό με θερμοκρασία μεγαλύτερη από 40 °C (104 °F) για να καθαρίσετε το μπροστινό πλαίσιο. Μπορεί να προκληθεί παραμόρφωση ή αποχρωματισμός του μπροστινού πλαισίου.
- Πρέπει να καθαρίζετε τη μονάδα με βρεγμένο πανί που δεν αφήνει χνούδι και ουδέτερο απορρυπαντικό. Πρέπει να σκουπίζετε τη μονάδα με στεγνό πανί.

Καθαρισμός του φίλτρου αέρα

Το φίλτρο εμποδίζει τη σκόνη και άλλα σωματίδια να εισχωρήσουν στην εσωτερική μονάδα. Η συσσώρευση σκόνης μειώνει την απόδοση του κλιματιστικού. Για βέλτιστη απόδοση, πρέπει να καθαρίζετε το φίλτρο αέρα κάθε δύο εβδομάδες ή συχνότερα, αν μένετε σε περιοχή όπου υπάρχει πολλή σκόνη. Αν το φίλτρο έχει φράξει και δεν καθαρίζεται, αντικαταστήστε το με καινούργιο.

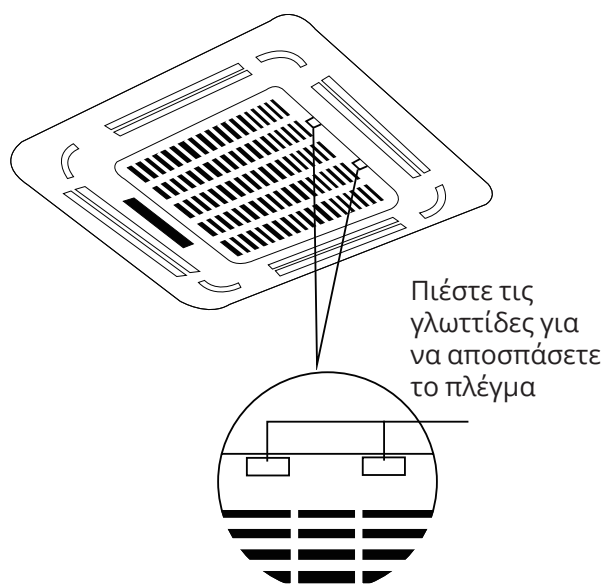


ΠΡΟΕΙΔΟΠΟΙΗΣΗ: ΜΗΝ ΑΦΑΙΡΕΙΤΕ ΚΑΙ ΜΗΝ ΚΑΘΑΡΙΖΕΤΕ ΤΟ ΦΙΛΤΡΟ ΜΟΝΟΙ ΣΑΣ

Η αφαίρεση και ο καθαρισμός του φίλτρου ενέχουν κινδύνους. Η αφαίρεση και η συντήρηση πρέπει να εκτελούνται από πιστοποιημένο τεχνικό.

ΣΗΜΕΙΩΣΗ: Σε νοικοκυριά όπου υπάρχουν ζώα, πρέπει περιοδικά να καθαρίζετε το πλέγμα από τις τρίχες των ζώων που εμποδίζουν τη ροή του αέρα.

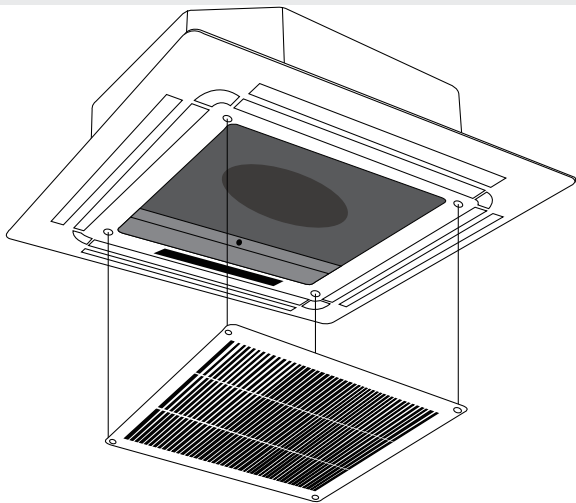
1. Απασφαλίστε το πλέγμα πιέζοντας ταυτόχρονα τις δύο γλωττίδες προς το μέσον.
2. Αποσυνδέστε το καλώδιο του πλαισίου της οθόνης από το κουτί ελέγχου στο κύριο σώμα της μονάδας.



Εικ. 4.1

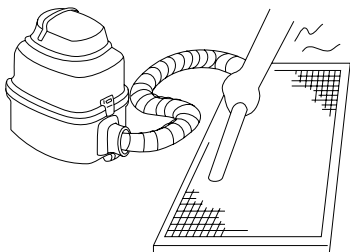
3. Αποσπάστε το πλέγμα από την κύρια μονάδα: Κρατώντας το υπό γωνία 45°, ανασηκώστε το ελαφρώς και τραβήξτε το προς τα εμπρός.

ΣΗΜΕΙΩΣΗ: Ορισμένα μοντέλα περιλαμβάνουν μια λειτουργία αυτόματης ανύψωσης του πλαισίου, η οποία επιτρέπει τη μετακίνηση του πλέγματος κατακόρυφα και απλοποιεί τη διαδικασία καθαρισμού του φίλτρου.



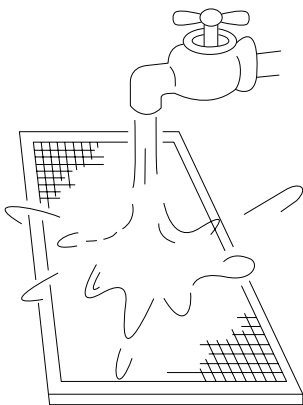
Εικ. 4.2

4. Αφαιρέστε το φίλτρο αέρα.
5. Καθαρίστε το φίλτρο αέρα σαρώνοντας την επιφάνειά του με ηλεκτρική σκούπα ή πλύνετε το με χλιαρό νερό και ήπιο απορρυπαντικό.
Α. Αν χρησιμοποιήσετε ηλεκτρική σκούπα, θα πρέπει να είναι στραμμένη η πλευρά εισαγωγής προς την ηλεκτρική σκούπα.



Εικ. 4.3

- Β. Αν χρησιμοποιείτε νερό, η πλευρά εισαγωγής θα πρέπει να είναι στραμμένη προς τα κάτω και σε κατεύθυνση αντίθετη από τη ροή του νερού.



Εικ. 4.4

6. Ξεπλύνετε το φίλτρο με καθαρό νερό και αφήστε το να στεγνώσει στον αέρα. **ΜΗΝ** αφήνετε το φίλτρο να στεγνώσει σε άμεσο ηλιακό φως.
7. Επανατοποθετήστε το φίλτρο.
8. Επανατοποθετήστε το μπροστινό πλέγμα και συνδέστε ξανά το καλώδιο του πλαισίου της οθόνης στο κουτί ελέγχου στο κύριο σώμα της μονάδας.

Επισκευή διαρροών ψυκτικού μέσου

! ΠΡΟΕΙΔΟΠΟΙΗΣΗ

- Αν υπάρχει διαρροή ψυκτικού μέσου, απενεργοποιήστε το κλιματιστικό και οποιοσδήποτε άλλες συσκευές θέρμανσης που λειτουργούν στο χώρο, εξερίστε το δωμάτιο και επικοινωνήστε αμέσως με τον αντιπρόσωπο. Το ψυκτικό μέσο είναι τοξικό και εύφλεκτο. **ΜΗΝ** χρησιμοποιήσετε το κλιματιστικό μέχρι να επισκευαστεί η διαρροή.
- Αν το κλιματιστικό εγκατασταθεί σε μικρό χώρο, πρέπει να ληφθούν μέτρα ώστε, σε περίπτωση διαρροής, η συγκέντρωση του ψυκτικού μέσου να μην υπερβαίνει το όριο ασφαλείας. Η υψηλή συγκέντρωση ψυκτικού μέσου δημιουργεί σοβαρό κίνδυνο στην υγεία και την ασφάλειά σας.

Σύστημα εντοπισμού διαρροής ψυκτικού μέσου

- Σε περίπτωση διαρροής ψυκτικού μέσου, στην οθόνη LCD εμφανίζεται η ένδειξη "EC" και η ενδεικτική λυχνία LED αρχίζει να αναβοσβήνει.

Προετοιμασία για περιόδους μη χρήσης

Συντήρηση μετά από παρατεταμένες περιόδους μη χρήσης.

1. Αφαιρέστε οποιαδήποτε εμπόδια φράζουν τους αεραγωγούς της εσωτερικής και της εξωτερικής μονάδας.
2. Καθαρίστε το φίλτρο αέρα και το μπροστινό πλέγμα της εσωτερικής μονάδας. Τοποθετήστε ξανά το καθαρό, στεγνό φίλτρο αέρα στην αρχική του θέση.
3. Ενεργοποιήστε τον κεντρικό διακόπτη παροχής ρεύματος τουλάχιστον 12 ώρες πριν από τη λειτουργία της μονάδας

Αποθήκευση της μονάδας όταν δε χρησιμοποιείται

1. Αφήστε τη μονάδα να λειτουργήσει με τη ρύθμιση FAN (Ανεμιστήρας) για 12 ώρες σε ζεστό χώρο για να στεγνώσει και να εμποδιστεί ο σχηματισμός μούχλας.
2. Απενεργοποιήστε τη συσκευή και αποσυνδέστε την από την πρίζα.
3. Καθαρίστε το φίλτρο αέρα σύμφωνα με τις οδηγίες που παρέχονται στην προηγούμενη ενότητα. Επανατοποθετήστε το καθαρό, στεγνό φίλτρο προτού αποθηκεύσετε τη μονάδα.
4. Αφαιρέστε τις μπαταρίες από το τηλεχειριστήριο.

! ΠΡΟΣΟΧΗ

Αν προκύψει κάποιο από τα παρακάτω, αποσυνδέστε αμέσως από την παροχή ρεύματος και επικοινωνήστε με τον αντιπρόσωπο για περαιτέρω βοήθεια.

- Η ενδεικτική λυχνία λειτουργίας συνεχίζει να αναβοσβήνει γρήγορα μετά από την επανεκκίνηση της μονάδας.
- Τα πλήκτρα του τηλεχειριστηρίου δε λειτουργούν.
- Η μονάδα καίει συνεχώς τις ασφάλειες και ρίχνει τους ασφαλειοδιακόπτες.
- Έχει εισχωρήσει κάποιο ξένο σώμα ή νερό στο κλιματιστικό.
- Άλλες μη φυσιολογικές καταστάσεις.

Συνήθη προβλήματα

Τα ακόλουθα συμπτώματα δεν υποδεικνύουν δυσλειτουργία και στις περισσότερες περιπτώσεις, δεν απαιτείται επισκευή.

Πρόβλημα	Πιθανές αιτίες
Η μονάδα δεν ενεργοποιείται με το πάτημα του πλήκτρου ON/ OFF	Η μονάδα διαθέτει λειτουργία προστασίας 3 λεπτών, η οποία εμποδίζει την υπερφόρτωση της μονάδας. Η μονάδα δεν μπορεί να επανεκκινηθεί μέσα σε διάστημα τριών λεπτών από τη στιγμή που θα απενεργοποιηθεί.
	Μοντέλα με λειτουργία ψύξης και θέρμανσης: Αν οι ενδεικτικές λυχνίες λειτουργίας και PRE-DEF (Προθέρμανση/ Απόψυξη) είναι αναμμένες, η εξωτερική θερμοκρασία είναι πολύ χαμηλή και έχει ενεργοποιηθεί η ροή αέρα κατά του ψύχους για την απόψυξη της μονάδας.
	Στα μοντέλα που διαθέτουν μόνο λειτουργία ψύξης: Αν είναι αναμμένη η ενδεικτική λυχνία „Fan Only” (Μόνο ανεμιστήρας), η εξωτερική θερμοκρασία είναι πολύ χαμηλή και έχει ενεργοποιηθεί η λειτουργία προστασίας από τον παγετό για την απόψυξη της μονάδας.
Η μονάδα μεταβαίνει από τη λειτουργία COOL (Ψύξη) στη λειτουργία FAN (Ανεμιστήρας)	Η μονάδα αλλάζει τη ρύθμισή της για να εμποδίσει τον σχηματισμό πάγου. Μόλις αυξηθεί η θερμοκρασία, η μονάδα αρχίζει να λειτουργεί ξανά.
	Έχει επιτευχθεί η καθορισμένη θερμοκρασία, οπότε η μονάδα απενεργοποιεί τον συμπιεστή. Η μονάδα λειτουργεί όταν η θερμοκρασία αρχίσει ξανά να αυξομειώνεται.
Η εσωτερική μονάδα βγάζει λευκή ομίχλη	Στις περιοχές με υψηλή υγρασία, μια μεγάλη διαφορά θερμοκρασίας μεταξύ του αέρα του χώρου και του αέρα που εξέρχεται από το κλιματιστικό μπορεί να προκαλέσει τον σχηματισμό λευκής ομίχλης.
Η εσωτερική και η εξωτερική μονάδα βγάζουν λευκή ομίχλη	Όταν η μονάδα επανεκκινείται στη λειτουργία HEAT (Θέρμανση) μετά από απόψυξη, μπορεί να αρχίσει να εξάγει λευκή ομίχλη εξαιτίας της υγρασίας που δημιουργείται από τη διαδικασία απόψυξης.
Η εσωτερική μονάδα παράγει θορύβους	Ακούγεται ένα τρίξιμο όταν το σύστημα είναι στη λειτουργία OFF (Απενεργοποίηση) ή COOL (Ψύξη). Ο θόρυβος ακούγεται επίσης όταν λειτουργεί η αντλία αποστράγγισης (προαιρετική).
	Ο θόρυβος τριξίματος μπορεί να προκύψει από τη λειτουργία HEAT (Θέρμανση) λόγω διαστολής και συστολής των πλαστικών εξαρτημάτων της μονάδας.
Η εσωτερική και η εξωτερική μονάδα παράγουν θορύβους	Κατά τη λειτουργία μπορεί να ακούγεται ένας χαμηλός ήχος σφυρίγματος. Αυτό είναι φυσιολογικό και προκαλείται από τη ροή του ψυκτικού μέσου στην εσωτερική και την εξωτερική μονάδα.
	Μπορεί να ακούγεται ένας χαμηλός ήχος σφυρίγματος όταν το σύστημα εκκινείται, όταν έχει μόλις σταματήσει ή όταν εκτελείται η διαδικασία απόψυξης. Αυτός ο θόρυβος είναι φυσιολογικός και προκαλείται από τη διακοπή ή την αλλαγή κατεύθυνσης της ροής του ψυκτικού μέσου.
Η εξωτερική μονάδα παράγει θορύβους	Η μονάδα παράγει διάφορους ήχους ανάλογα με την τρέχουσα κατάσταση λειτουργίας.

Πρόβλημα	Πιθανές αιτίες
Εξέρχεται σκόνη από την εσωτερική ή την εξωτερική μονάδα	Στη μονάδα μπορεί να συσσωρευτεί σκόνη κατά τη διάρκεια παρατεταμένων περιόδων μη χρήσης. Στη συνέχεια, όταν η μονάδα τεθεί σε λειτουργία, αυτή η σκόνη βγαίνει προς τα έξω. Για να μετριάσετε αυτό το φαινόμενο, μπορείτε να καλύψετε τη μονάδα κατά τη διάρκεια μεγάλων περιόδων αδράνειας.
Η μονάδα εκλύει άσχημη οσμή	Η μονάδα μπορεί να απορροφά οσμές από το περιβάλλον (έπιπλα, μαγείρεμα, τσιγάρα κ.λπ.) και να τις εκλύει κατά τη διάρκεια της λειτουργίας. Τα φίλτρα της μονάδας έχουν πιάσει μούχλα και πρέπει να καθαριστούν.
Η φτερωτή της εξωτερικής μονάδας δε λειτουργεί	Κατά τη διάρκεια της λειτουργίας, η ταχύτητα της φτερωτής ελέγχεται ώστε να βελτιστοποιείται η λειτουργία του προϊόντος.

Συμβουλές για την επίλυση προβλημάτων

Όταν παρουσιάζονται προβλήματα, θα πρέπει να ελέγχετε τα παρακάτω προτού επικοινωνήσετε με εξουσιοδοτημένο τεχνικό.

Πρόβλημα	Πιθανές Αιτίες	Λύση
Η μονάδα δε λειτουργεί	Διακοπή ρεύματος	Περιμένετε να επανέλθει το ρεύμα
	Ο διακόπτης λειτουργίας είναι στη θέση απενεργοποίησης	Γυρίστε τον διακόπτη στη θέση ενεργοποίησης
	Η ασφάλεια έχει καεί	Αντικαταστήστε την ασφάλεια
	Οι μπαταρίες του τηλεχειριστηρίου έχουν εξαντληθεί	Αντικαταστήστε τις μπαταρίες του τηλεχειριστηρίου
	Έχει ενεργοποιηθεί η λειτουργία προστασίας 3 λεπτών της μονάδας	Περιμένετε τρία λεπτά μέχρι να επανεκκινήσετε τη μονάδα
Μη ικανοποιητική απόδοση ψύξης	Η ρύθμιση της θερμοκρασίας μπορεί να είναι υψηλότερη από τη θερμοκρασία περιβάλλοντος του χώρου	Μειώστε τη ρύθμιση θερμοκρασίας
	Έχει συσσωρευτεί σκόνη στον εναλλάκτη θερμότητας της εσωτερικής ή της εξωτερικής μονάδας	Καθαρίστε τον εναλλάκτη θερμότητας
	Έχει συσσωρευτεί σκόνη στο φίλτρο αέρα	Αφαιρέστε το φίλτρο και καθαρίστε το σύμφωνα με τις οδηγίες
	Το άνοιγμα εισαγωγής ή εξαγωγής αέρα στην εσωτερική ή στην εξωτερική μονάδα είναι φραγμένο	Απενεργοποιήστε τη μονάδα, απομακρύνετε το εμπόδιο και ενεργοποιήστε την ξανά
	Οι πόρτες και τα παράθυρα είναι ανοιχτά	Βεβαιωθείτε ότι όλες οι πόρτες και τα παράθυρα είναι κλειστά όταν λειτουργεί η μονάδα
	Παράγεται υπερβολική θερμότητα από το ηλιακό φως	Φροντίστε να κλείνετε τα παράθυρα και τις κουρτίνες κατά τη διάρκεια περιόδων υψηλής ζέστης ή πολύ έντονηςλιακάδας
	Χαμηλή στάθμη ψυκτικού μέσου λόγω διαρροής ή μακροχρόνιας χρήσης	Ελέγξτε για διαρροές, στεγανοποιήστε ξανά το σύστημα αν χρειάζεται και συμπληρώστε το ψυκτικό μέσο
Η μονάδα εκκινείται και σταματά συχνά	Υπάρχει πολύ μεγάλη ή πολύ μικρή ποσότητα ψυκτικού μέσου στο σύστημα	Ελέγξτε για διαρροές και ξαναγεμίστε το σύστημα με ψυκτικό μέσο
	Υπάρχει αέρας, ασυμπιεστο αέριο ή ξένο σώμα στο σύστημα ψύξης	Εκκενώστε και ξαναγεμίστε το σύστημα με ψυκτικό μέσο
	Κάποιο κύκλωμα του συστήματος έχει μπλοκάρει	Εντοπίστε το μπλοκαρισμένο κύκλωμα και αντικαταστήστε το εξάρτημα που δε λειτουργεί σωστά
	Υπάρχει βλάβη στον συμπιεστή	Αντικαταστήστε τον συμπιεστή
	Η τάση είναι υπερβολικά υψηλή ή υπερβολικά χαμηλή	Τοποθετήστε έναν ρυθμιστή πίεσης για τον έλεγχο της τάσης
Μη ικανοποιητική απόδοση θέρμανσης	Η εξωτερική θερμοκρασία είναι χαμηλότερη από 7 °C (44,5 °F)	Ελέγξτε για διαρροές και ξαναγεμίστε το σύστημα με ψυκτικό μέσο
	Εισέρχεται κρύος αέρας από τις πόρτες και τα παράθυρα	Βεβαιωθείτε ότι όλες οι πόρτες και τα παράθυρα είναι κλειστά κατά τη διάρκεια της χρήσης
	Χαμηλή στάθμη ψυκτικού μέσου λόγω διαρροής ή μακροχρόνιας χρήσης	Ελέγξτε για διαρροές, στεγανοποιήστε ξανά το σύστημα αν χρειάζεται και συμπληρώστε το ψυκτικό μέσο

Κωδικοί σφαλμάτων



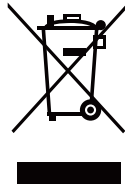
Αριθμός	Αιτία	Αριθμός αναβοσβησιμάτων ανά δευτερόλεπτο	Ένδεικτική λυχνία	Κωδικός σφάλματος
1	Σφάλμα μνήμης EEPROM (Προγραμματιζόμενη μνήμη μόνο για ανάγνωση, διαγράψιμη με ηλεκτρικό ρεύμα) στην εσωτερική μονάδα	1	Σβηστή	E0
2	Πρόβλημα επικοινωνίας εσωτερικής και εξωτερικής μονάδας	2	Off	E1
3	Πρόβλημα ταχύτητας ανεμιστήρα στην εσωτερική μονάδα	4	Off	E3
4	Σφάλμα αισθητήρα θερμοκρασίας εσωτερικού χώρου	5	Off	E4
5	Σφάλμα αισθητήρα θερμοκρασίας σερπαντίνας του εξατμιστή	6	Off	E5
6	Δυσλειτουργία συστήματος εντοπισμού διαρροών ψυκτικού μέσου	7	Off	E6
7	Δυσλειτουργία συστήματος προειδοποίησης για τη στάθμη νερού	8	Off	E6
8	Πρόβλημα επικοινωνίας στη διπλή εσωτερική μονάδα (μόνο στα μοντέλα με διπλή μονάδα)	9	Off	E8
9	Άλλη δυσλειτουργία στο μοντέλο με διπλή μονάδα	10	Off	E9
10	Προστασία από υπερφόρτωση	1	Αναμμένη	F0
11	Σφάλμα αισθητήρα εξωτερικής θερμοκρασίας	2	On	F1
12	Σφάλμα αισθητήρα στον σωλήνα του εξωτερικού συμπυκνωτή	3	On	F2
13	Σφάλμα αισθητήρα θερμοκρασίας εξερχόμενου αέρα	4	On	F3
14	Σφάλμα μνήμης EEPROM (Προγραμματιζόμενη μνήμη μόνο για ανάγνωση, διαγράψιμη με ηλεκτρικό ρεύμα) στην εξωτερική μονάδα	5	On	F4
15	Πρόβλημα ταχύτητας ανεμιστήρα εξωτερικής μονάδας (μόνο για τη φτερωτή με μοτέρ DC)	6	On	F5
16	Σφάλμα επικοινωνίας συστήματος αυτόματης ανύψωσης πλαισίου	8	On	F7
17	Δυσλειτουργία συστήματος αυτόματης ανύψωσης πλαισίου	9	On	F8
18	Το πλαίσιο με σύστημα αυτόματης ανύψωσης είναι ανοιχτό	10	On	F9
19	Προστασία IPM μονάδας Inverter	1	Αναβοσβήνει	P0
20	Προστασία από υψηλή/χαμηλή τάση	2	Flash	P1
21	Προστασία υπερθέρμανσης πάνω τμήματος συμπιεστή	3	Flash	P2
22	Προστασία από εξωτερική χαμηλή θερμοκρασία	4	Flash	P3
23	Σφάλμα κινητήριας μονάδας συμπιεστή	5	Flash	P4
24	Ασυμφωνία κατάστασης λειτουργίας	6	Flash	P5
25	Προστασία χαμηλής πίεσης συμπιεστή	7	Flash	P6
26	Σφάλμα εξωτερικού αισθητήρα IGBT	8	Flash	P7

Για τους χρήστες εντός της Ευρωπαϊκής Ένωσης, η απόρριψη της μονάδας πρέπει να γίνει με κατάλληλο τρόπο. Αυτή η συσκευή περιέχει ψυκτικό μέσο και άλλα ενδεχομένως επικίνδυνα υλικά. Για την απόρριψη αυτής της συσκευής, ο νόμος απαιτεί ειδικές μεθόδους συλλογής και επεξεργασίας. **ΜΗΝ** απορρίπτετε αυτό το προϊόν ως οικιακό απόρριμμα ή ως δημοτικό απόβλητο που δεν έχει περάσει από διαδικασία διαλογής.

Για την απόρριψη αυτής της συσκευής έχετε τις παρακάτω επιλογές:

- Μπορείτε να απορρίψετε τη συσκευή σε καθορισμένη δημοτική εγκατάσταση συλλογής άχρηστων ηλεκτρονικών συσκευών.
- Όταν αγοράζετε μια καινούργια συσκευή, το κατάστημα λιανικής πώλησης μπορεί να παραλάβει δωρεάν την παλιά συσκευή.
- Ο κατασκευαστής μπορεί επίσης να παραλάβει δωρεάν την παλιά συσκευή.
- Μπορείτε να πουλήσετε τη συσκευή σε πιστοποιημένους εμπόρους άχρηστων μετάλλων.

ΣΗΜΕΙΩΣΗ: Η απόρριψη αυτής της συσκευής σε δάση ή σε άλλο φυσικό περιβάλλον δημιουργεί κινδύνους για την υγεία και βλάπτει το περιβάλλον. Μπορεί να διαρρεύσουν επικίνδυνες ουσίες στα υπόγεια ύδατα και να εισχωρήσουν στην τροφική αλυσίδα.



Η εταιρεία δεν φέρει ευθύνη για τυχόν τυπογραφικά λάθη. Ο σχεδιασμός και οι προδιαγραφές του προϊόντος μπορεί να τροποποιηθούν χωρίς προηγούμενη ειδοποίηση με σκοπό τη βελτίωση των προϊόντων. Για λεπτομέρειες, απευθυνθείτε στον αντιπρόσωπο ή τον κατασκευαστή. Τυχόν ενημερώσεις του εγχειρίδιου θα αναρτηθούν στην ιστοσελίδα του κατασκευαστή, παρακαλούμε να ελέγξετε για την πιο πρόσφατη έκδοση.

Υποβολή Εγγύησης

- Επισκεφθείτε τη σελίδα μας και ενεργοποιήστε την εγγύησή σας μέσω του παρακάτω link ή σκανάροντας το QR code

<https://www.inventoraircondition.gr/egiisi-inventor>



- Συμπληρώστε όλα τα πεδία όπως φαίνονται παρακάτω

Για να ενεργοποιήσετε την εγγύηση, παρακαλούμε συμπληρώστε τα παρακάτω πεδία

Στοιχεία ιδιοκτήτη

Όνοματεπώνυμο*

Διεύθυνση*

Τ.Κ.*

Τηλέφωνο*

Διεύθυνση email*

Να εγγραφώ στο newsletter της Inventor

* Απαραίτητο πεδίο

Αποστέλοντας τη φόρμα εγγύησης αποδέχεστε τους όρους και τις προϋποθέσεις.

ΑΠΟΣΤΟΛΗ

Στοιχεία μηχανήματος

Τύπος μηχανήματος*

Σειριακός αριθμός εσωτερικού μηχανήματος*

Σειριακός αριθμός εξωτερικού μηχανήματος*

Ημερομηνία αγοράς μηχανήματος*

Αριθμός παραστατικού*

Επιπλέον στοιχεία

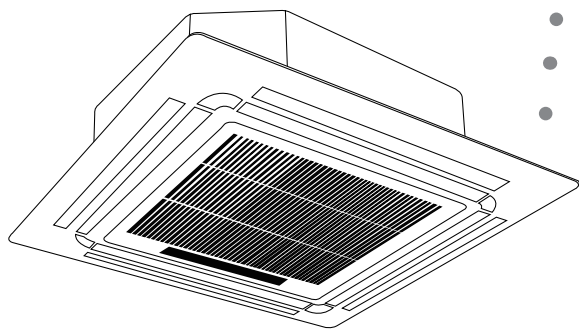
- Μόλις ολοκληρωθεί η υποβολή της εγγύησης θα λάβετε την επιβεβαίωση κατοχύρωσης στο email σας

Cuprins

Manual instalare

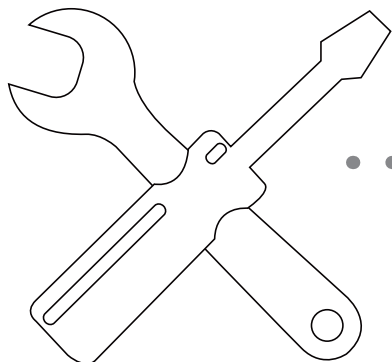
1 Masuri de siguranta..... 4

2 Unitatea interioara si functiile principale..... 6

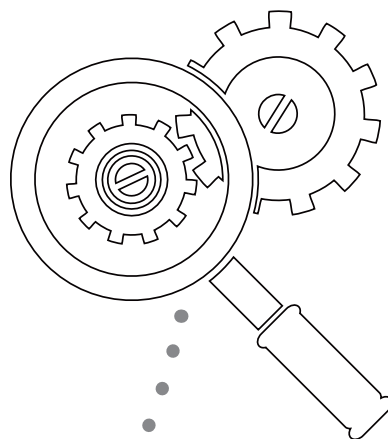


3 Operarea manuala..... 8

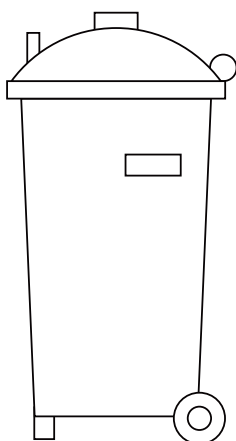
4	Lucrarile de mentenanta.	9
	a. Mentenanta unitatii.....	9
	b. Curatarea filtrelor de aer	9
	c. Remedierea scurgerilor de agent frigorific	10
	d. Pregatiri in vederea opriri functionarii pentru perioade lungi de timp	10



5	Depanare.	11
	a. Situatii des intalnite.....	11
	b. Sfaturi de depanare.....	12



5	Sfaturi de depanare.....	14
----------	---------------------------------	-----------



**Atentie: PERICOL DE INCENDIU/
materiale inflamabile**

Lucrarile de service vor fi facute de catre personalul producatorului.
 Lucrarile de mentenanta si reparatie, vor fi facute de catre alte persoane calificate, sub atenta
 supraveghere a persoanei autorizate pentru lucrari ce implica agenti frigorifici inflamabili.
 Mai multe informatii veti gasi in manualul de instalare. (valabil doar pentru aparatele ce folosesc
 agent frigorific R32/R290).

Masuri de siguranta

1

Multumim pentru ca ati achizitionat aparatul de aer conditionat Inventor. Acest manual va ofera informatii cu privire la operarea, intretinerea si depanarea unitatii dumneavoastra. Urmand sfaturile si instructiunile din acest manual, veti asigura functionarea corecta a aparatului si prelungirea perioadei de utilizare.

Va rugam sa fiti atent la urmatoarele semne de semnalizare:



AVERTIZARE

Ignorarea instructiunilor poate duce la deces. Aparatul va fi instalat doar respectand normele nationale si legislatia in vigoare.



ATENTIONARE

Ignorarea acestor instructiuni poate duce la ranirea utilizatorului sau defectarea aparatului.



AVERTIZARE

- Instalarea va fi facuta de catre un distribuitor autorizat. Instalarea incorecta a aparatului poate cauza scurgeri de apa, socuri electrice sau incendii.
- Garantia va fi anulata in cazul in care unitatea nu a fost instalata de personal autorizat.
- In cazul unei situatii anormale (simiti miros de fum), opriti imediat aparatul si contactati distribuitorul pentru instructiuni.
- **NU** umeziti/udati telecomanda. Pericol de soc electric.
- **NU** introduceti degetele, bete sau alte obiecte in gurile de admisie/evacuare a aerului. Pericol de ranire datorita ventilatoarelor.
- **NU** folositi spray-uri inflamabile (fixativ, deodorant, etc.) sau oja/vopsea, langa aparat. Pericol de incendiu.
- **NU** folositi alte metode pentru curatarea/degivrarea aparatului, fata de cele recomandate de catre producator.
- Aparatul va fi depozitat intr-o incapere in care nu exista surse de scanteie sau de combustie (flacari deschise, incalzitoare electrice, etc.)
- Asigurati-va ca aparatul nu va suferi socuri mecanice.

- Luati in considerare faptul ca agentul frigorific poate fi inodor.
- Respectati normele si legile in vigoare cu privire la instalatiile ce folosesc gaze.
- Gurile de ventilatie (admisie/evacuare aer), vor fi intotdeauna libere si nu vor fi obstructionate.

NOTA: aceste instructiuni se aplica aparatelor ce folosesc agent frigorific R32/R290.

- **NU** perforati si nu ardeti unitatea
- Unitatea va fi instalata si folosita intr-o incapere bine ventilata iar suprafata incaperii corespunde cu cerintele aparatului.
- Persoanele care vor incepe orice tip de lucrare asupra aparatului sau a traseului frigorific, vor fi autorizate de catre autoritatile competente.
- Lucrarile de service for fi facute in conformitate cu cerintele producatorului. Lucrarile de mentenanta si reparatie ce necesita alte persoane calificate, vor fi supravegheate de catre persoane competente si autorizate pentru lucrari cu agenti frigorifici inflamabili.
- In cazul deteriorarii cablului de alimentare, acesta trebuie inlocuit de catre producator, departamentul de service sau alte persoane calificate.

ATENTIE

- **NU** atingeti gura de evacuare a aerului in timp ce flapsul se misca. Va puteti prinde degetele si unitatea se poate defecta.
 - **NU** inspectati unitatea de unul singur. Cereti suportul unui dealer autorizat.
 - Pentru a preveni defectarea aparatului, acesta nu va fi folosit in scopul conservarii alimentelor, plantelor, animalelor sau a operelor de arta.
 - **NU** atingeti arcurile evaporatorului situat in interiorul unitatii. Aceste arcuri sunt ascutite si va puteti rani.
 - **NU** operati aparatul cand aveti mainile ude. Pericol de electrocutare.
 - **NU** asezati obiecte ce pot fi afectate de umiditate, langa aparat. Condensarea se intampla la un nivel al umiditatii de 80%.
 - **NU** asezati, pentru racire, obiecte fierbinti sub unitatea interioara. Aparatul se va defecta.
 - Verificati periodic unitatea pentru a va sigura de integritatea acesteia.
 - Daca folositi aparatul de aer conditionat impreuna cu un dispozitiv pentru incalzire, ventilati incaperea pentru a reduce riscul deficientei de oxigen.
 - **NU** va urcati pe unitatea externa si nu asezati alte obiecte pe aceasta.
 - **NU** utilizati aparatul atunci cand folositi insecticide. Substantele chimice se pot depune pe unitate si va pot afecta sanatatea.
 - **NU** permiteti copiilor sa se joace cu acest aparat.
 - **NU** folositi aparatul intr-o camera cu umiditate ridicata (baie, spalatorie). Pericol de electrocutare sau defectare a aparatului.
 - Acest aparat poate fi folosit de catre copii de minim 8 ani sau de catre persoane cu abilitati fizice, senzoriale sau mentale reduse, doar sub atenta supraveghere si dupa ce s-a asigurat instructajul. Copiilor nu le va fi permis sa se joace cu acest aparat. Curatarea acestui aparat nu v-a fi facuta de catre copii, fara supravegherea atenta a unui adult.
- Aparatul va fi instalat doar respectand normele nationale si legislatia in vigoare.
 - Instalati unitatea la o inaltime de cel putin 2.5M, deasupra podelei.
 - Includeti in cablajul fix, un comutator de deconectare multipolar ce are o separare de contact de cel puțin 3 mm la toți polii, cu o intensitate nominala de maxim 30mA si o intensitate de scurgere de maxim 10mA.

Unitatea interioara si functiile principale

2

Partile componente ale unitatii interioare

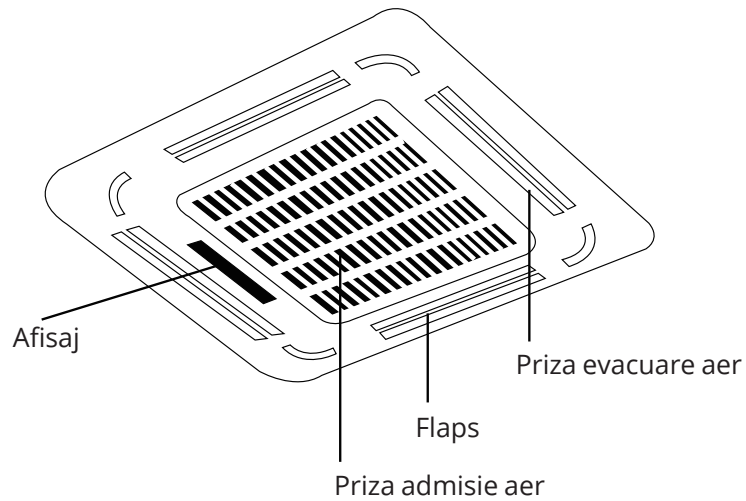


Fig. 2.1

Conditii de functionare

Pentru a folosi aparatul in siguranta, respectati conditiile de mai jos. In caz de nerespectare a conditiilor, eficienta va scadea si aparatul se poate defecta.

	Modul COOL (racire)	Modul HEAT (incalzire)	Modul DRY (dezumidificare)
Temperatura interioara	17-32°C (62-90°F)	0-30°C (32-86°F)	17-32°C (62-90°F)
Temperatura exterioara	0-50°C (32-122°F)		
	-15-50°C (5-122°F) <small>(modele cu racire la temperaturi scazute)</small>	-15-24°C (5-76°F)	0-50°C (32-122°F)

Funcții

Setarea standard

Când aparatul este repornit, după o pauză de curent, acesta va funcționa în setarea de fabrică (modul AUTO, viteza ventilatorului AUTO, temperatura de 24°C). Puteți folosi telecomanda pentru ajustarea setării.

Auto-restart

În cazul unei pene de curent, sistemul se va opri automat. Când alimentarea cu energie electrică revine, indicatorul de funcționare se va aprinde intermitent. Pentru a reporni unitatea, apăsați butonul ON/OFF de pe telecomandă. Dacă aparatul dvs. are funcția AUTO RESTART, aparatul se va reporni automat cu aceleași setări.

Funcția de memorare a poziției flapsului (opțional)

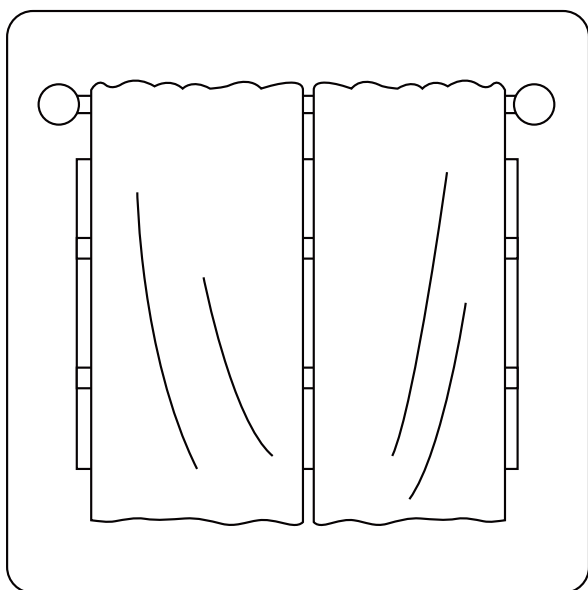
Anumite modele beneficiază de funcția de memorare a unghiului flapsului. Când unitatea este repornită, după o pauză de curent, flapsul orizontal va reveni automat în unghiul precedent. Nu stabiliți un unghi prea mic al flapsului, pentru a preveni scurgerea condensului în interiorul aparatului. Pentru resetarea unghiului, apăsați butonul manual.

Sistemul pentru detectarea scurgerilor de agent frigorific

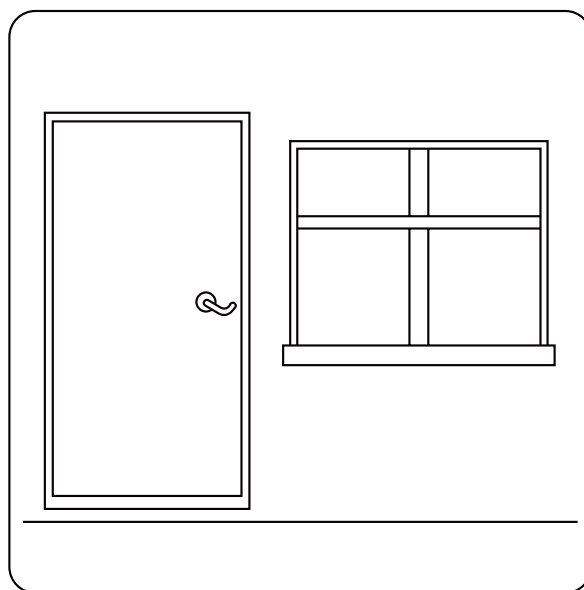
În cazul unei scurgeri de agent frigorific, display-ul LCD va afișa mesajul „EC” și indicatorul LED corespunzător se va aprinde intermitent.

Sfaturi pentru economie de energie electrică

- **NU** programați aparatul pe temperaturi extreme.
- În timpul răcirii, trageți draperiile pentru a reduce patrunderea luminii solare.
- Mențineți închise ușile și ferestrele pentru a păstra temperatura constantă în încăpere.
- **NU** obstrucționați prizele de admisie/evacuare a aerului. În caz contrar, eficiența aparatului va scădea.
- Folosiți funcția de temporizator (TIMER)/ECONOMY dacă aceste funcții sunt disponibile.
- Dacă nu veți folosi aparatul pentru o perioadă lungă de timp, scoateți bateriile din telecomandă.
- Curățați filtrele de aer cel puțin o dată la 2 săptămâni. Un filtru murdar va reduce eficiența în încălzire/răcire.
- Ajustați unghiul flapsului corect și evitați contactul direct cu fluxul de aer.



În timpul încălzirii, draperiile trase pot ajuta la păstrarea temperaturii



Ușile și ferestrele trebuie să fie închise

Operarea manuala a unitatii

3

Afisajul de pe unitatea interioara poate fi folosit pentru folosirea manuala a unitatii, atunci cand telecomanda nu poate fi folosita.

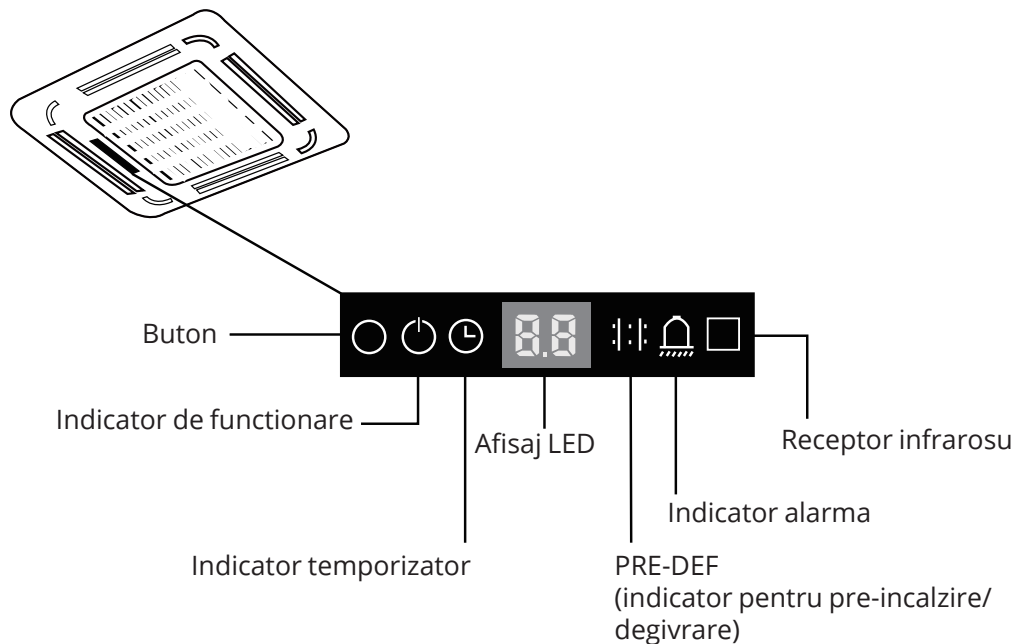


Fig. 3.1

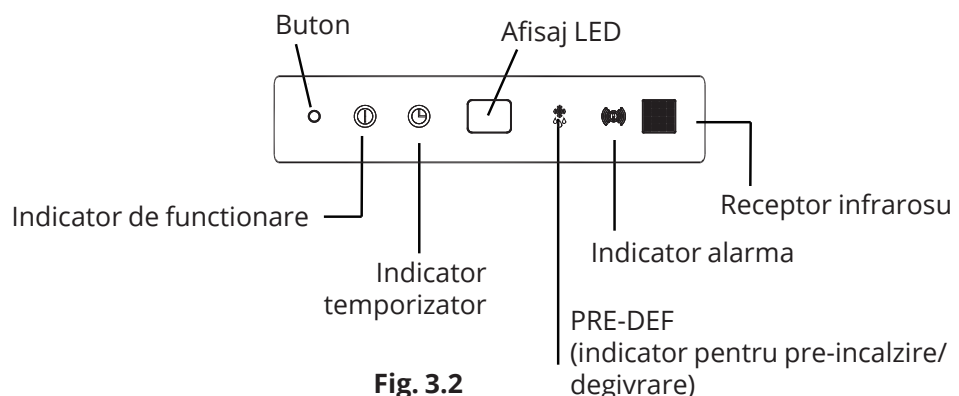


Fig. 3.2

- **Buton pentru operare manuala:** cu acest buton puteti selecta modul de functionare in ordinea urmatoare AUTO- FORCED COOL- OFF.
- **FORCED COOL:** in modul FORCED COOL, indicatorul de functionare se va aprinde intermitent. Dupa racirea fortata, la viteza crescuta, pe o perioada de 30 de minute, aparatul se va trece automat in modul AUTO. In timpul functionarii in FORCED COOL, telecomanda este dezactivata.
- **Modul OFF:** Atunci cand panoul este oprit, aparatul se va opri si telecomanda va fi reactivata.

Masuri de siguranta

- Pentru lucrari de mentenananta, contactati doar departamentul de service autorizat. Reparatia sau mentenanata incorecta poate produce scurgeri de apa, soc electri sau incendiu si va duce la anularea garantiei.
- **NU** inlocuiti o siguranta arsa cu o siguranta cu specificatii necorespunzatoare (amperaj mai mare sau mai mic). Risc de incendiu sau defectiune a aparatului.
- Asigurati-va ca furtunul de scurgere este asezat respectand instructiunile. Risc de scurgeri, pagube materiale, incendiu sau soc electric.
- Asigurati-va ca circuitul electric este conectat corect. Pericol de soc electric sau incendiu

Intretinerea unitatii

! INAINTE DE A INCEPE LUCRAREA DE MENTENANTA/CURATARE

- Inainte de inceperea oricarei lucrari, opriti aparatul si scoateti-l din priza.
- **NU** folositi substante chimice sau materiale textile tratate chimic pentru a curat aparatul
- **NU** folositi benzen, diluant sau pudra pentru lustruire. Suprafata se poate crapa/deforma.
- **NU** spalati unitatea sub jet de apa. Pericol de soc electric.
- **NU** folositi apa la o temperatura mai mare de 40 de grade pentru a curata panoul frontal. Acesta se poate decolora/deforma.
- Curatati unitatea folosind un detergent delicat si o carpa umeda, fara scame. Uscati unitatea cu ajutorul unei carpe uscate, fara scame.

CURATAREA FILTRULUI DE AER

Filtrul previne accesul prafului si al diverselor particule in interiorul unitatii. Acumularea de praf duce la scaderea performantei aparatului. Pentru eficienta optima, curatati filtrul cel putin o data la 2 saptamani, mai frecvent daca locuiti intr-o zona cu mult praf. In cazul in care nu puteti curata filtrul, inlocuiti-l cu unul nou.



AVERITZARE: NU INLATURATI SI NU CURATATI FILTRUL DE AER, SINGUR

Demontarea si curatarea filtrului pot fi actiuni periculoase. Demontarea si intretinerea aparatului trebuie facute de catre un tehnician autorizat.

NOTA: In cazul locuintelor in care traiesc si animale, stergeti grila frontala periodic pentru a evita blocarea sistemului cu par.

1. Deblocati grila prin apasarea celor 2 butoane, simultan, catre mijloc si inainte.
2. Deconectati cablul afisajului din cutia de control.

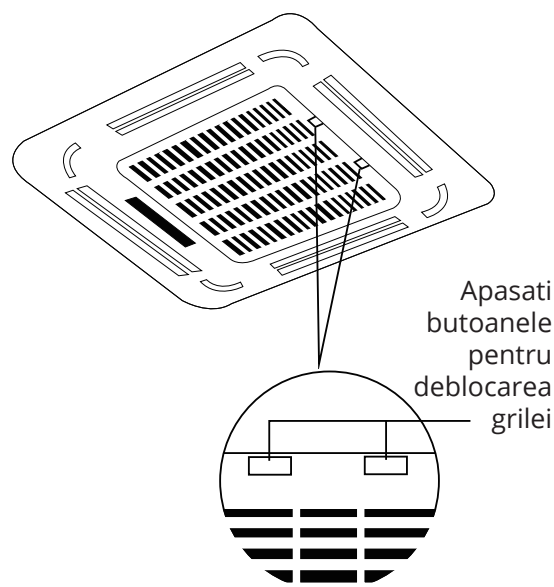


Fig. 4.1

3. Detasati grila, tinand-o la un unghi de 45 de grade, ridicand usor si tragand.

NOTA: Unele modele au disponibilă funcția de ridicare automată a panoului frontal, funcție ce permite mișcarea grilei în plan vertical, ușurând procesul de curățare a filtrului.

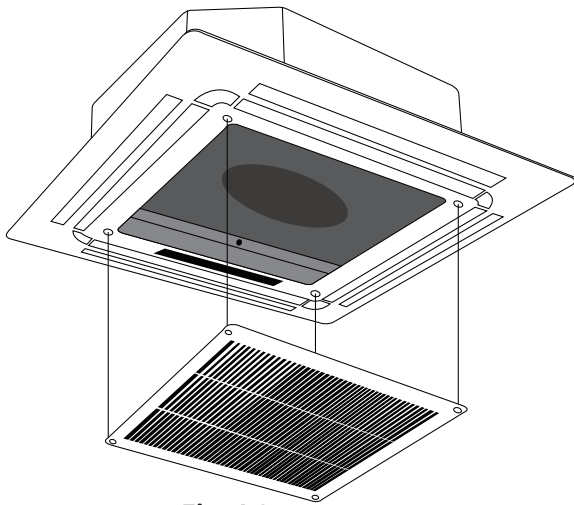


Fig. 4.2

4. Demontați filtrul de aer
5. Curățați filtrul de aer cu ajutorul unui aspirator sau prin spălare în apă caldă cu un detergent delicat.
 - A. În cazul în care folosiți aspiratorul, curățați partea interioară a filtrului.

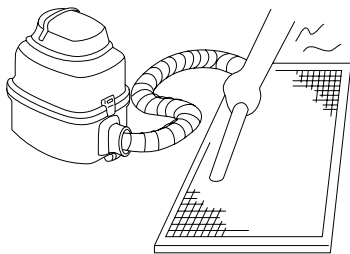


Fig. 4.3

- B. Dacă veți curăța filtrul cu apă, partea exterioară a filtrului va fi îndreptată către jetul de apă.

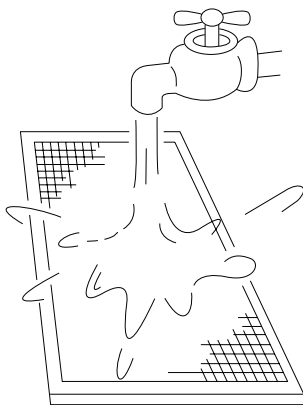


Fig. 4.4

6. Clătiți filtrul cu apă curată și permiteți uscarea naturală. Nu expuneți filtrul direct în lumina solară.
7. Montați filtrul.
8. Montați grila frontală și conectați cablul de conectare al afișajului.

Repararea scurgerilor de freon

! AVERTIZARE

- În cazul unei scurgeri de agent frigorific, opriți aparatul și orice alt echipament pentru încălzire, aerisiți camera și sunați distribuitorul imediat. Agentul frigorific este atât inflamabil cât și toxic. **NU FOLOSITI APARATUL** până acesta nu a fost reparat.
- Când aparatul de aer condiționat este instalat într-o încăpere cu o suprafață mică, luați măsuri suplimentare de prevenire a dezvoltării unei concentrații mari de agent frigorific în cazul unei scurgeri.
- Concentrația prezintă o amenințare serioasă asupra siguranței și poate produce probleme grave de sănătate.

Sistemul de detectare a scurgerilor de agent frigorific.

- În cazul unei scurgeri, display-ul LCD va afișa mesajul "EC" și indicatorul LED se va aprinde intermitent.

Pregătiri în vederea opririi funcționării pentru perioade lungi de timp

Mentenanță după o perioadă îndelungată în care aparatul nu a fost folosit.

1. Înlăturați orice obstacol care blochează prizele de admisie/evacuare a aerului, atât la unitatea interioară cât și la cea exterioară.
2. Curățați atât filtrul de aer cât și grila frontală a unității interioare. Montați filtrul în poziția originală, după ce a fost curățat și uscat.
3. Conectați aparatul la rețeaua de energie electrică, cu cel puțin 12 ore înainte de a-l porni spre folosință.

Pastrarea aparatului atunci când nu este folosit.

1. Folosiți aparatul în modul FAN entru 12 ore, într-o cameră caldă, pentru a-l usca și a preveni apariția mușgaiului.
2. Opriti aparatul și scoateți-l din priză.
3. Curățați filtrul conform instrucțiunilor. Montați filtrul în poziția originală după ce a fost curățat și uscat.
4. Scoateți bateriile din telecomandă.

! ATENTIE

In cazul aparitiei uneia dintre situatiile de mai jos, opriti alimentarea cu energie electrica a aparatului si contactati imediat departamentul de service :

- LED-ul semnalizator al alimentarii se aprinde intermitent, rapid, dupa ce unitatea a fost pornita
- Butoanele telecomenzii nu functioneaza
- Aparatul declanseaza in continuu sigurantele panoului electric.
- Obiecte straine sau apa au patruns in interiorul aparatului
- Alte situatii anormale.

Situatii comune

Simptomele prezentate mai jos nu reprezinta defectiuni si pot fi rezolvate de catre dvs, fara a fi nevoie de reparatii.

Prezentare	Posibile cauze
Aparatul nu porneste atunci cand este apasat butonul ON/OFF	Aparatul are o perioada de protectie de 3 minute, ce previne suprasolicitarea aparatului. In aceasta perioada, aparatul nu poate fi pornit.
	In timpul functionarii in modul COOL si HEAT: daca semnalul LED si indicatorul PRE-DEF(pre-incalzire/degivrare) sunt aprinse, temperatura exterioara este prea scazuta si protectia anti-inghetare a unitatii este activata pentru a degivra unitatea.
	Pentru modelele care au disponibil doar modul COOL (racire): Daca indicatorul „FAN ONLY” este aprins, functia de degivrare a fost activata datorita temperaturii scazute din exterioara.
Unitatea trece din modul COOL in modul FAN	Aceasta schimbare este datorata protectiei anti-inghet. Aceasta protectie, previne formarii ghetii pe unitate. Odata ce temperatura creste, unitatea va functiona normal.
	Temperatura aleasa a fost atinsa si compresorul se va opri. Compresorul va fi repornit cand temperatura se schimba
Unitatea interioara degaja o ceata alba	In regiuni umede, diferenta mare de temperatura incaperii si temperatura unitatii interioare, poate degaja o ceata alba.
Atat unitatea interioara cat si cea exterioara degaja ceata alba	La repornirea in modul HEAT, dupa degivrare, ceata alba poate fi degajata datorita umiditatii generata de procesul de degivrare.
Unitatea interioara emite zgomote	Un sunet scartait este produs atunci cand aparatul este oprit sau cand functioneaza in modul COOL. Zgomotul se poate produce si cand pompa de scurgere (dispozitiv optional), este operationala.
	Un sunet scartait se poate auzi dupa ce ati folosit aparatul in modul HEAT. Acest sunet este produs de dilatarea si contractarea partilor componente din plastic.
Atat unitatea interioara cat si cea exterioara produc zgomote	Un susnet sasait poate fi produ in timpul functionarii. Acesta este un fenomen normal, datorat circularii agentului frigorific prin conductele unitatilor.
	Un susnet sasait de intensitate scazuta poate fi auzit atunci cand sistemul este pornit, oprit, functional sau in timpul degivrarii. Sunetul este cauzat de agentul frigorific la oprire sau la schimbarea directiei prin conductele unitatilor.
Unitatea exterioara emite zgomote	Aparatul genereaza zgomote in functie de modul de functionare.

Prezentare	Posibile cauze
Unitatea interioara sau cea exterioara degaja praf	In cazul neutilizarii aparatului pentru o perioada lunga de timp, praful se poate acumula. Acesta va fi eliminat la repornire. Pentru a preveni acest fenomen, puteti acoperii unitatile.
Unitatile produc mirosuri neplacute	Unitatile vor absorbi mirosuri din mediul inconjurator (gatit, fum de tigara, etc.), care pot fi degajate in timpul functionarii.
	Filtrele au prins mucegai si trebuie curatate.
Ventilatorul unitatii exterioare nu functioneaza	In timpul functionarii, viteza ventilatorului este controlata automat pentru a optimiza functionarea.

Sfaturi de depanare

La aparitia acestor probleme, verificati lista inainte de a suna departamentul de service.

Prezentare	Posibile cauze	Solutia
Aparatul nu functioneaza	Pana de curent	Asteptati pana energia electrica revine.
	Aparatul este oprit	Porniti aparatul
	Siguranta arsa	Inlocuiti siguranta
	Bateriile telecomenzii sunt descarcate	Inlocuiti bateriile
	A fost activata protectia de 3 minute.	Asteptati 3 minute pana sa reporniti aparatul
Performanta scazuta la racire	Temperatura setata se poate sa fie mai mare decat temperatura incaperii.	Scadeti temperatura setata
	Dispozitivul pentru transferul caldurii, echipat pe unitatea interioara, este murdar.	Curatati dispozitivul de transfer de caldura, afectat.
	Filtrul este murdar	Demontati si curatati filtrul, conform instructiunilor
	Gurile de admisie/evacuare a aerului sunt blocate.	Opriti aparatul, inlaturati obstacolul si porniti aparatul.
	Usile si ferestrele sunt deschise	Asigurati-va ca toate usile si ferestrele sunt inchise in timpul functionarii
	Caldura excesiva generata de lumina solara	Inchideti ferestrele si trageți draperiile in perioade cu temperaturi foarte ridicate sau lumina solara foarte puternica.
	Nivel scazut al agentului frigorific, cauzat de o scurgere sau folosire indelungata.	Verificati daca exista scurgeri, resigilati si completati cu agent frigorific.
Unitatea se opreste si porneste frecvent	Prea mult sau prea putin agent frigorific	Verificati daca exista scurgeri si completati cu agent frigorific.
	Sistemul a fost contaminat cu aer, gaz sau alte materii straine	Purjati sistemul si reumpleti cu agent frigorific
	Circuitul este blocat	Detectati circuitul defect si inlocuiti piesa.
	Compresorul este defect	Inlocuiti compresorul
	Tensiunea nu este conforma (prea scazuta sau prea crescuta)	Instalati un stabilizator de tensiune
Performanta scazuta la incalzire	Temperatura exterioara este sub 7°C (44.5°F)	Verificati daca exista scurgeri si completati cu agent frigorific.
	Aerul rece patrunde in incapere prin usi sau ferestre.	Mentineti usile si ferestrele inchise pe durata folosirii
	Nivel scazut al agentului frigorific, cauzat de o scurgere sau folosire indelungata.	Verificati daca exista scurgeri, resigilati si completati cu agent frigorific.

Coduri de eroare



Nr. Crt.	Cauza	Numarul de aprinderi / secunda	Indicator temporizator	Codul erorii
1	Eroare EEPROM intern	1	Off	E0
2	Eroare de conexiune intre unitatea exterioara si cea interioara	2	Off	E1
3	Eroare a ventilatorului la reglarea virezei	4	Off	E3
4	Eroare a senzorului intern de temperatura	5	Off	E4
5	Eroare la senzorul de temperatura al evaporaturului	6	Off	E5
6	Defectiune a senzorului pentru detectarea scurgerilor	7	Off	EC
7	Defectiune a alarmei pentru nivelul apei	8	Off	EE
8	Eroare de conexiune intre unitatile interne (doar pentru sistemele TWIN).	9	Off	EB
9	Alte defectiuni ale sistemului TWIN	10	Off	E9
10	Protectie la supratensiune	1	On	F0
11	Eroare a senzorului extern de temperatura	2	On	F1
12	Eroare la senzorul condensatorului extern.	3	On	F2
13	Eroare la senzorul dispozitivului de evacuare a aerului.	4	On	F3
14	Eroare EEPROM extern	5	On	F4
15	Defectiune la motorul ventilatorului extern	6	On	F5
16	Eroare de comunicare a panoului automat	8	On	F7
17	Defectiune a panoului automat	9	On	F8
18	Panoul automat este deschis	10	On	F9
19	Protectie IPM a blocului inverter	1	Flash	P0
20	Protectie la sub/supra tensiune	2	Flash	P1
21	Protectie la supraincalzirea compresorului	3	Flash	P2
22	Protectie la temperatura externa scazuta	4	Flash	P3
23	Eroare compresor	5	Flash	P4
24	Conflict moduri de functionare	6	Flash	P5
25	Protectie la presiune scazuta pentru compresor	7	Flash	P6
26	Eroare senzol IGBT extern	8	Flash	P7

Directivile europene pentru eliminarea deseului

6

Utilizatorii din tarile europene pot fi obligati sa elimine acest produs in anumite conditii. Acest aparat contine agent frigorific si alte materiale nocive. Legea impune colectarea si tratamentul special al acestui tip de deșeu. **NU ARUNCATI** acest aparat impreuna cu deseul municipal.

La eliminarea acestui aparat, respectati urmatoarele aspecte:

- Lasati acest aparat intr-o unitate speciala de colectare a deseurilor electronice.
- La cumpararea unui aparat nou, vanzatorul va poate ridica gratuit echipamentul vechi.
- Producatorul va poate ridica produsul vechi gratuit.
- Puteti vinde aparatul catre firmele care se ocupa cu colectarea fierului vechi.

NOTA: Aruncarea acestui aparat in padure sau alte locuri din natura, dauneaza mediului inconjurator. Substantele nocive pot ajunge in panza freatica si in alimente.



Compania nu este responsabilă pentru orice greșală. Aspectul fizic si specificatiile tehnice se pot schimba fara o notificare prelabila datorita imbunatatirii continue a echipamentelor noastre. Pentru mai multe informatii, contactati vanzatorul sau producatorul. Toate actualizarile disponibile pentru acest manual vor fi incarcate pe website-ul nostru. Va rugam sa accesati site-ul pentru a putea vedea daca exista actualizari.

Activati-va garantia

- Accesati link-ul de mai jos sau scanati codul QR pentru a va activa garantia pe site-ul nostru.

<https://www.inventoraerconditionat.ro/certificatul-de-garantie-inventor-aer-conditionat-si-electrocasnice>



- Completati toate campurile conform exemplului de mai jos

Pentru a activa garantia, va rugam sa completati urmatoarele campuri

Detalii proprietar	Detalii unitate
Nume complet* <input type="text"/>	Tip aparat* <input type="text"/>
Adresa* <input type="text"/>	Numărul serial al unității interioare* <input type="text"/>
Cod Postal* <input type="text"/>	Numărul serial al unității exterioare* <input type="text"/>
Numar de telefon* <input type="text"/>	Data de achizitie* <input type="text"/>
E-mail* <input type="text"/>	Numar Factura* <input type="text"/>
Abonati-va la Newsletter-ul Inventor <input type="checkbox"/>	Detalii aditionale <input type="text"/>

* Camp obligatoriu
Cu acest certificat de garantie acceptati Termenii si Conditile.

TRIMITE

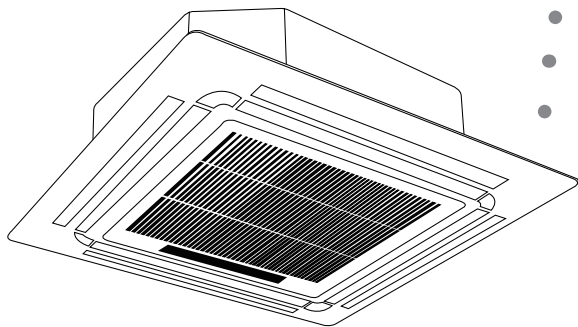
Odata ce garantia a fost activata, veti primi un email de confirmare

Inhaltsverzeichnis

Benutzerhandbuch

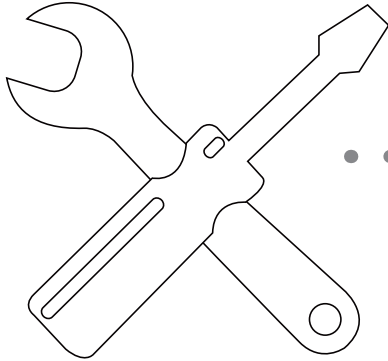
1 Sicherheitsvorkehrungen 4

2 Bauteile und Funktionen
der Inneneinheit 6

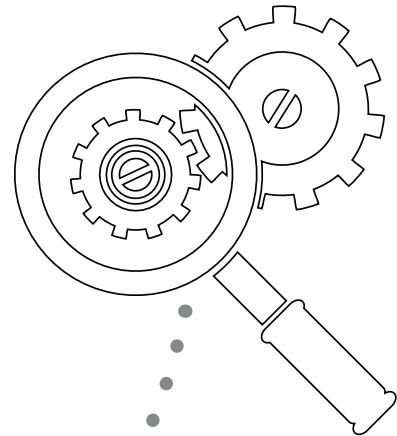


3 Manuelle Funktionen 8

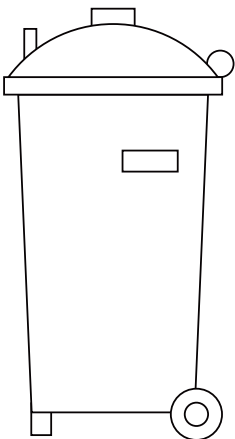
4	Pflege und Wartung	9
	a. Wartung des Geräts	9
	b. Luftfilterreinigung	9
	c. Kältemittelaustritt reparieren.....	10
	d. Vorbereitung für Stillstandzeiten	10



5	Fehlerbehebung	11
	a. Häufige Störungen	11
	b. Tipps zur Fehlerbehebung	12



6	Europäische Richtlinien bezüglich der Entsorgung des Produkts	14
----------	--	----



**Vorsicht: Brandgefahr/
Entzündliche Materialien**

WARNUNG: Der Service darf nur in der vom Hersteller empfohlenen Weise durchgeführt werden. Wartungs- und Reparaturarbeiten, die die Unterstützung durch anderes qualifiziertes Personal erfordern, sollten unter Aufsicht der Person durchgeführt werden, die für die Verwendung entzündlicher Kühlmittel verantwortlich ist. Weitere Informationen finden Sie in den Serviceinformationen im INSTALLATIONSHANDBUCH. (Folgende Informationen sind nur für Geräte erforderlich, bei denen Kühlmittel R32/R290 eingesetzt wird)

Sicherheitsvorkehrungen

1

Vielen Dank, dass Sie sich für diese Klimaanlage entschieden haben. Dieses Benutzerhandbuch enthält nützliche Tipps zum Bedienen, Warten und Beheben von Fehlern der Klimaanlage. Die Einhaltung der Richtlinien gewährleistet den korrekten Betrieb und die Verlängerung der Lebensdauer des Geräts.

Sie sollten die folgenden Symbole beachten:



WARNUNG

Die Nichtbeachtung der Anweisungen kann zum Tod führen. Das Gerät muss gemäß den nationalen Vorschriften installiert werden.



VORSICHT

Die Nichtbeachtung der Anweisungen kann zu Verletzungen oder Schäden am Gerät führen.



WARNUNG

- Lassen Sie diese Klimaanlage von einem zugelassenen Händler installieren. Bei fehlerhafter Installation können Wasserlecks, Stromschläge oder Brand auftreten.
- Die Garantie erlischt, wenn das Gerät nicht von einem Fachmann installiert wird.
- Wenn ein ungewöhnlicher Zustand auftritt (z. B. nach verbranntem Material), schalten Sie die Stromversorgung aus und wenden Sie sich an Ihren Händler, um Anweisungen zu erhalten, wie Sie einen elektrischen Schlag, Brand oder Verletzungen vermeiden können.
- **Lassen** Sie das Innengerät oder die Fernbedienung nicht nass werden. Dies kann zu einem elektrischen Schlag oder Brand führen.
- **Stecken** Sie NICHT Ihre Finger, Stöcke oder andere Gegenstände in die Lufterlass- oder Auslassöffnungen. Dies kann zu Verletzungen führen, da sich der Lüfter mit hoher Geschwindigkeit drehen kann.
- **Verwenden** Sie in der Nähe des Geräts KEINE brennbaren Sprays wie Lack, Glasur oder Farbstoffe. Feuer oder brennendes Material können die Folge sein.
- **VERWENDEN** Sie keine anderen als die vom Hersteller empfohlenen Defroster- oder Reinigungsmittel.
- Das Gerät sollte an einem Ort gelagert werden, an dem es keine Zündquellen gibt (z. B. offene Flammen, aktive Gasgeräte oder elektrische Heizgeräte).
- Das Gerät sollte so gelagert werden, dass mechanische Beschädigungen vermieden werden.

- Sie sollten wissen, dass die Kältemittel nicht riechen.
 - Sie müssen die nationalen Vorschriften für Gase einhalten.
 - Blockieren Sie nicht die Lüftungsöffnungen.
- HINWEIS:** Folgende Informationen sind für Geräte erforderlich, bei denen Kältemittel R32/R290 eingesetzt wird.
- **Das Gerät** nicht durchstechen oder verbrennen.
 - Das Gerät muss in einem gut belüfteten Bereich gelagert werden, dessen Größe dem für seinen Betrieb vorgesehenen Bereich entspricht.
 - Jede Person, die Arbeiten ausführt oder mit Kältemittelkreisläufen interagiert, sollte im Besitz eines gültigen Zertifikats einer akkreditierten Bewertungsstelle sein, das die Eignung der Person für den sicheren Umgang mit Kältemitteln genehmigt. Das Zertifikat sollte gemäß einem branchenweit anerkannten Bewertungsstandard ausgestellt worden sein.
 - Der Service darf nur auf die vom Gerätehersteller empfohlene Weise durchgeführt werden. Wartungs- und Reparaturarbeiten, die die Unterstützung durch anderes qualifiziertes Personal erfordern, sollten unter Aufsicht der Person durchgeführt werden, die für die Verwendung entzündlicher Kältemittel verantwortlich ist.
 - Wenn das Netzkabel beschädigt ist, muss es vom Hersteller, vom Kundendienst des Herstellers oder von einer anderen Person mit ähnlichen Zertifizierungen ersetzt werden, um das Risiko zu vermeiden.

! VORSICHT

- **Berühren** Sie nicht die Öffnung des Luftauslasses, während sich der Lüfter dreht. Es kann Ihre Finger einklemmen oder das Gerät beschädigen.
- **Führen** Sie die Geräteinspektion NICHT selbst durch. Lassen Sie einen autorisierten Händler die Inspektion durchführen.
- Verwenden Sie die Klimaanlage nicht zu Aufbewahrungszwecken (Lagerung von Lebensmitteln, Pflanzen, Tieren, Kunstwerken usw.), um die Produktleistung nicht zu beeinträchtigen.
- **Berühren** Sie nicht die Verdampferwicklungen im Innengerät. Verdampferwicklungen sind scharf und können Verletzungen verursachen.
- **Bedienen** Sie NICHT die Klimaanlage mit nassen Händen. Dies kann einen elektrischen Schlag verursachen.
- **Legen** Sie KEINE Gegenstände unter das Innengerät, da diese durch Feuchtigkeit beschädigt werden können. Bei einer relativen Luftfeuchtigkeit von 80% kann Wasser verdampfen.
- **Setzen** Sie die wärmeerzeugenden Geräte KEINER kalten Luft aus und stellen Sie sie nicht unter das Innengerät. Es kann zu unvollständiger Verbrennung oder Verformung des Geräts aufgrund von Hitze kommen.
- Nach langem Gebrauch müssen Sie das Innengerät überprüfen, um festzustellen, ob Schäden aufgetreten sind. Wenn das Innengerät beschädigt ist, kann es herunterfallen und Verletzungen verursachen.
- Wenn die Klimaanlage zusammen mit anderen Heizgeräten verwendet wird, muss der Raum gut belüftet werden, um einen Sauerstoffmangel zu vermeiden.
- **Klettern** Sie nicht auf das Außengerät und stellen Sie keine Gegenstände darauf.
- **Betreiben** Sie die Klimaanlage nicht, wenn Sie rauchproduzierende Insektizide verwenden. Das Gerät kann eine Schicht aus Chemikalien bilden und Personen, die überempfindlich auf diese Chemikalien reagieren, gefährden.
- **Lassen** Sie Kinder NICHT mit der Klimaanlage spielen.

- **Verwenden** Sie die Klimaanlage NICHT in feuchten Umgebungen (z. B. in Bädern oder Waschküchen). Dies kann einen elektrischen Schlag verursachen und die Produktleistung beeinträchtigen.
- Dieses Gerät kann von Kindern ab 8 Jahren und Personen mit eingeschränkten körperlichen, sensorischen oder geistigen Fähigkeiten oder mit unzureichenden Erfahrungen und Kenntnissen verwendet werden, wenn die Anwendung überwacht wird oder wenn diese Personen über die sichere Verwendung des Geräts unterrichtet wurden und die damit verbundenen Gefahren verstehen. Kinder dürfen nicht mit dem Gerät spielen. Reinigung und Wartung sollten nicht von unbeaufsichtigten Kindern durchgeführt werden.
- Das Gerät muss gemäß den nationalen Bestimmungen für elektrische Installationen installiert werden.
- Das Innengerät muss in einer Höhe von 2,5 m über dem Boden installiert werden.
- Ein Multipol-Trennschalter mit einem Abstand von mindestens 3 mm über alle Pole und ein Leckstrom-Schutzvorrichtung (RCD) mit einem Bemessungsstrom von mehr als 10 mA gemäß den nationalen Vorschriften müssen in die feste Verdrahtung einbezogen werden.

Bauteile und Hauptfunktionen der Inneneinheit

Komponenten der Einheit

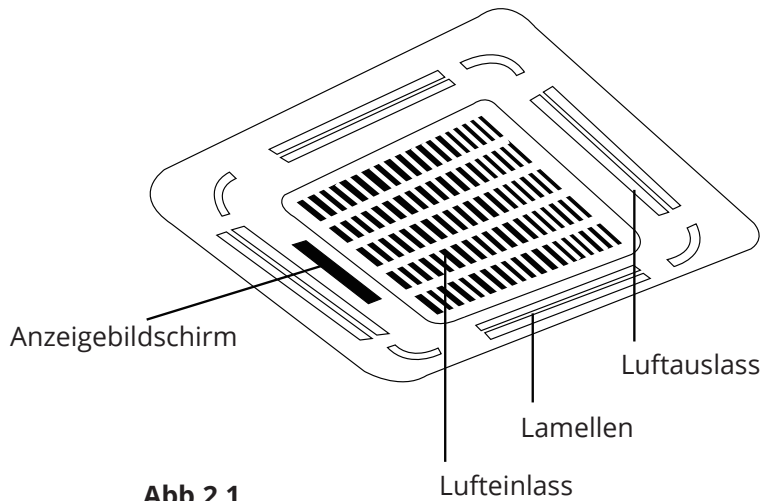


Abb.2.1

Betriebsbedingungen

Für einen sicheren und effizienten Betrieb verwenden Sie das System bei den folgenden Temperaturen. Wenn die Klimaanlage unter anderen Bedingungen verwendet wird, kann dies zu Funktionsstörungen führen oder die Leistung beeinträchtigen.

	COOL-Modus (Kühlung)	HEAT-Modus (Heizung)	DRY Modus (Entfeuchtung)
Innen temperatur	17-32°C (62-90°F)	0-30°C (32-86°F)	17-32°C (62-90°F)
Außen temperatur	0-50°C (32-122°F)	-15-24°C (5-76°F)	0-50°C (32-122°F)
	-15-50°C (5-122°F) (Modelle mit niedriger Kühltemperatur)		

Technische Daten

Standardeinstellung

Wenn die Klimaanlage nach einem Stromausfall neu gestartet wird, gelten die Werkseinstellungen (Automatikbetrieb (AUTO), Automatikbetrieb (AUTO) des Flügelrads, 24 °C (76 °F)). Dies kann zu Unstimmigkeiten der Anzeigen auf der Fernbedienung und dem Bedienfeld des Geräts führen. Verwenden Sie die Fernbedienung, um den Status zu aktualisieren.

Automatischer Neustart

Bei einem Stromausfall wird der Systembetrieb sofort unterbrochen. Wenn die Stromversorgung wiederhergestellt ist, beginnt die Betriebskontrollleuchte am Innengerät zu blinken. Um das Gerät neu zu starten, drücken Sie die Taste ON/OFF auf der Fernbedienung. Wenn das System über eine automatische Neustartfunktion verfügt, startet das Gerät automatisch mit denselben Einstellungen.

Speicherfunktion des Lamellenwinkels (optional)

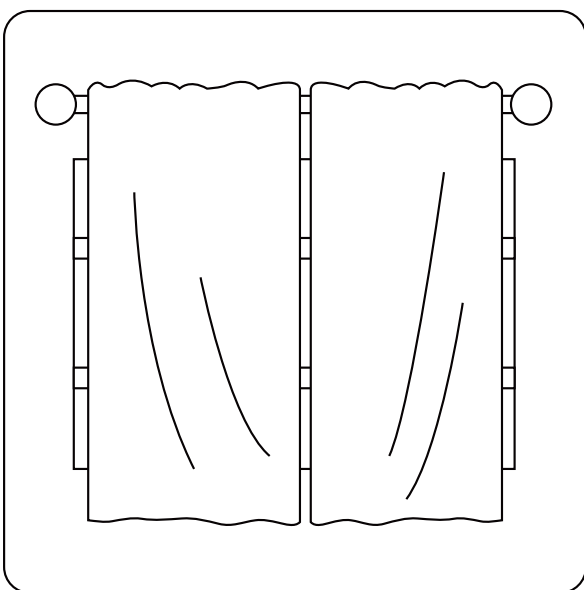
Einige Modelle sind mit einer Lamellenwinkel-Speicherfunktion ausgestattet. Wenn das Gerät nach einem Stromausfall neu startet, wird der Winkel der horizontalen Lamellen automatisch auf den vorherigen Wert zurückgesetzt. Der Winkel der horizontalen Lamellen sollte nicht auf einen extrem niedrigen Wert eingestellt werden, da Wasserdampfkondensation in die Maschine zu tropfen beginnt. Drücken Sie die manuell gesteuerte Modustaste, um die Lamellen auf den ursprünglichen Winkel zurückzusetzen. Auf diese Weise werden die Einstellungen der Lamellen auf ihre ursprünglichen Werte zurückgesetzt.

Kühlmittelaustritt-Erkennungssystem

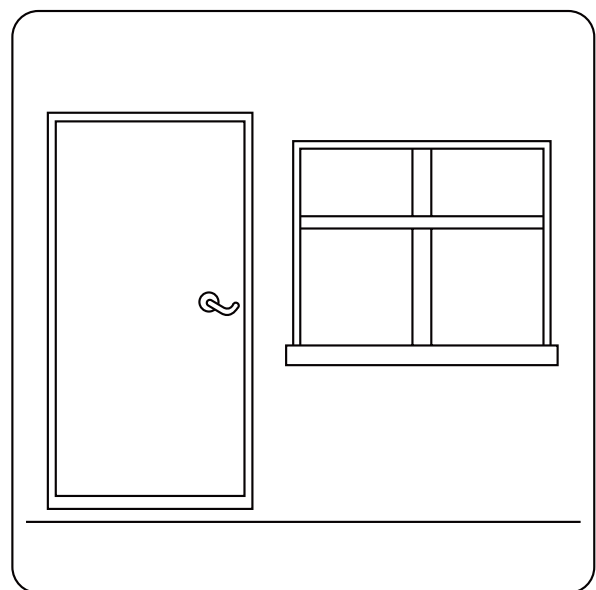
Bei Austritt von Kühlmittel wird "EC" auf dem LCD-Bildschirm angezeigt und die Kontrollleuchte LED blinkt.

Tipps zum Energiesparen

- **Stellen** Sie das Gerät nicht auf zu hohe Temperaturen ein.
- Während des Kühlbetriebs müssen Sie die Vorhänge schließen, um direktes Sonnenlicht zu vermeiden.
- Türen und Fenster müssen geschlossen bleiben, damit kalte oder warme Luft im Raum bleiben kann.
- **Legen** Sie KEINE Gegenstände in die Nähe der Lufteinlass- und Auslassöffnungen des Geräts. Dies reduziert die Leistung des Geräts.
- Stellen Sie einen Timer ein und verwenden Sie, falls möglich, die eingebaute SLEEP / ECONOMY-Funktion.
- Wenn Sie das Gerät längere Zeit nicht benutzen, nehmen Sie die Batterien aus der Fernbedienung.
- Sie sollten den Luftfilter alle zwei Wochen reinigen. Wenn der Filter schmutzig wird, wird die Kühl- oder Heizleistung verringert.
- Stellen Sie die Lamellen richtig ein und vermeiden Sie direkten Kontakt mit dem Luftstrom



Das Schließen der Vorhänge während des Heizens reduziert den Wärmeverlust



Türen und Fenster sollten geschlossen bleiben

Dieser Monitor im Innengerät kann zur Bedienung des Geräts verwendet werden, wenn Sie die Fernbedienung verlieren oder die Batterie leer ist.

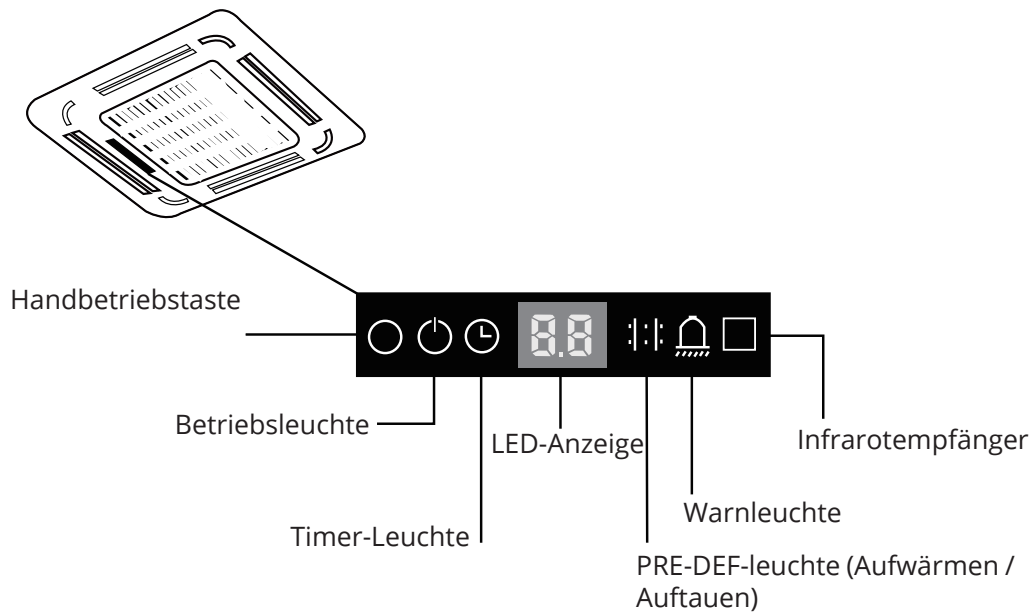


Abb. 3.1

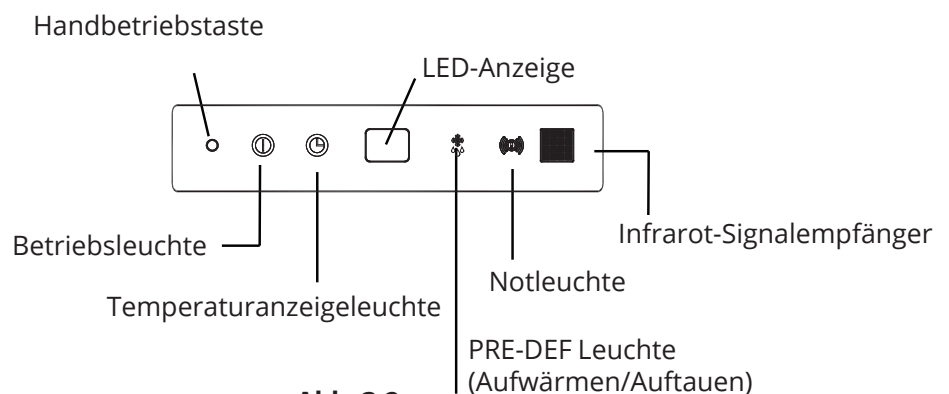


Abb. 3.2

- **HANDBETRIEBS** taste: Wählt die Betriebsart in der folgenden Reihenfolge: **AUTO (Automatisch), FORCED COOL (Zwangskühlung), OFF (Ausschalten)**.
- **FORCED COOL Modus (Zwangskühlung)**: Während des FORCED COOL Modus blinkt die Betriebskontrollleuchte. Das System schaltet dann auf AUTO um, nachdem der Raum 30 Minuten lang mit schneller Luft gekühlt wurde. Während dieses Vorgangs schaltet sich die Fernbedienung aus.
- **OFF Modus (Ausschalten)**: Wenn im Bedienfeld die Einstellung OFF gewählt ist, wird das Gerät ausgeschaltet und die Fernbedienung wird wieder aktiviert.

Sicherheitsvorkehrungen

- Wenden Sie sich zur Reparatur oder Wartung an ein lizenziertes Servicecenter. Wenn Reparatur und Wartung nicht ordnungsgemäß durchgeführt werden, kann Wasserauslauf, Stromschlag oder Brand verursacht werden.
- **Ersetzen** Sie eine durchgebrannte Sicherung NICHT durch eine andere Sicherung mit höherem oder niedrigerem Nennstrom, da dies zu einem Stromkreisbruch oder Brand führen kann.
- Stellen Sie sicher, dass das Ablaufrohr gemäß den Anweisungen installiert ist. Andernfalls kann ein Leck auftreten und Materialschäden, Brand und Stromschlag verursacht werden.
- Stellen Sie sicher, dass alle Kabel ordnungsgemäß angeschlossen sind. Wenn die Kabel nicht gemäß den Anweisungen angeschlossen werden, kann dies zu einem Stromschlag oder Brand führen.

Wartung des Geräts

! VOR DER REINIGUNG ODER WARTUNG

- Vor der Reinigung oder Wartung sollten Sie die Klimaanlage immer ausschalten und die Stromversorgung trennen.
- **Verwenden** Sie KEINE chemischen oder chemisch behandelten Tücher, um das Gerät zu reinigen.
- **Verwenden** Sie KEIN Benzin, Verdünner, Polierpulver oder andere Lösungsmittel zur Reinigung des Geräts. Diese können Risse oder Verformungen auf der Kunststoffoberfläche verursachen.
- **Waschen** Sie das Gerät NICHT mit fließendem Wasser ab. Es besteht die Gefahr eines elektrischen Schlags.
- **Verwenden** Sie kein Wasser mit einer Temperatur von mehr als 40 ° C (104 ° F) zur Reinigung der Frontplatte. Verformung oder Verfärbung der Frontplatte kann auftreten.
- Sie müssen das Gerät mit einem feuchten Tuch, das keine Fusseln hinterlässt und ein neutrales Reinigungsmittel reinigen. Sie müssen das Gerät mit einem trockenen Tuch abwischen.

Luftfilterreinigung

Der Filter verhindert, dass Staub und andere Partikel in das Innengerät gelangen. Staubansammlung verringert die Effizienz der Klimaanlage. Für eine optimale Leistung sollten Sie den Luftfilter alle zwei Wochen oder öfter reinigen, wenn Sie sich an einem Ort aufhalten, an dem zu viel Staub vorhanden ist. Wenn der Filter verstopft ist und nicht gereinigt werden kann, ersetzen Sie ihn durch einen neuen.



WARNUNG: ENTFERNEN ODER REINIGEN SIE DEN FILTER NICHT SELBST

Das Entfernen und Reinigen des Filters birgt Gefahren. Das Entfernen und die Wartung müssen von einem zertifizierten Techniker durchgeführt werden.

HINWEIS: In Haushalten mit Tieren müssen Sie das Gitter regelmäßig von Tierhaaren reinigen die den Luftstrom verhindern.

1. Entsperren Sie das Gitter, indem Sie gleichzeitig die beiden Laschen in der Mitte drücken.
2. Trennen Sie das Displaypanel-Kabel vom Steuerkasten zum Hauptgehäuse des Geräts.



Abb. 4.1

3. Ziehen Sie das Gitter vom Hauptgerät ab: Indem Sie es in einem 45 ° -Winkel halten, heben Sie es leicht an und ziehen Sie es nach vorne.

HINWEIS: Einige Modelle verfügen über eine automatische Rahmenliftfunktion, die eine vertikale Bewegung des Gitters ermöglicht und die Reinigung des Filters vereinfacht.

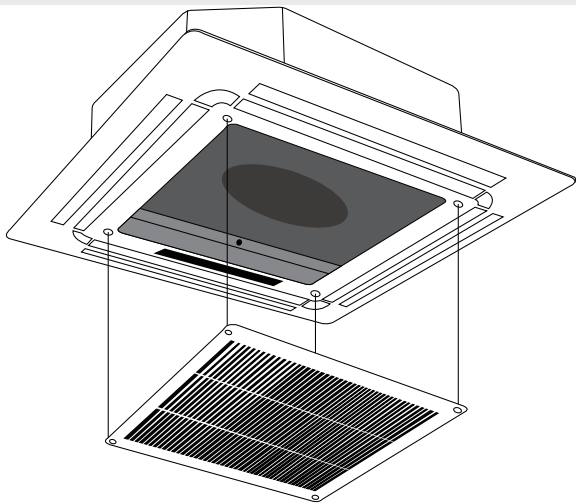


Abb. 4.2

4. Entfernen Sie den Luftfilter.
5. Reinigen Sie den Filter und seine Oberfläche mit einem Staubsauger oder durch Waschen mit warmem Wasser und einem milden Reinigungsmittel.

A. Wenn Sie einen Staubsauger verwenden, sollte die Einschubseite zum Staubsauger zeigen.

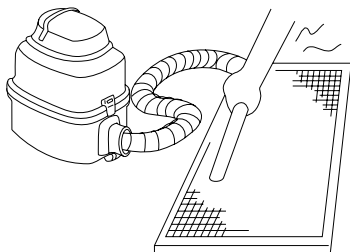


Abb. 4.3

B. Wenn Sie Wasser verwenden, muss die Einlassseite entgegen der Wasserströmung nach unten zeigen.

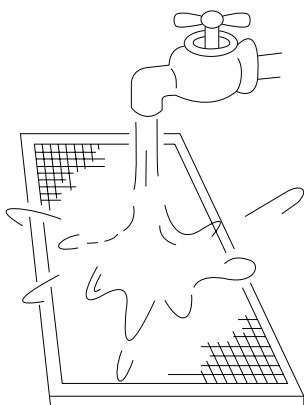


Abb. 4.4

6. Spülen Sie den Filter mit klarem Wasser aus und lassen Sie ihn an der Luft trocknen. **Lassen** Sie den Filter NICHT in direktem Sonnenlicht trocknen.
7. Setzen Sie den Filter erneut ein.
8. Bringen Sie das Frontgitter wieder an und schließen Sie das Kabel des Anzeigefelds wieder an der Steuerbox am Hauptgehäuse des Geräts an.

Kältemittelaustritt reparieren

! WARNUNG

- Wenn Kältemittel ausläuft, schalten Sie die Klimaanlage und alle anderen Heizgeräte im Raum aus, lüften Sie den Raum und wenden Sie sich sofort an Ihren Händler. Das Kühlmittel ist giftig und brennbar. **Verwenden** Sie die Klimaanlage NICHT, bis das Leck repariert ist.
- Wenn das Klimagerät in einem kleinen Raum installiert ist, müssen Schritte unternommen werden, um sicherzustellen, dass die Kühlmittelkonzentration die Sicherheitsgrenze im Falle eines Lecks nicht überschreitet. Hohe Kältemittelkonzentrationen sind ein ernstes Risiko für Gesundheit und Sicherheit.

Kühlmittelaustritt-Erkennungssystem

- Bei Austritt von Kühlmittel wird "EC" auf dem LCD-Bildschirm angezeigt und die Kontrollleuchte LED blinkt.

Vorbereitung für Stillstandzeiten

Wartung nach längerem Nichtgebrauch

1. Entfernen Sie alle Hindernisse, die die Kanäle der Innen- und Außengeräte verstopfen.
2. Reinigen Sie den Luftfilter und das Frontgitter des Innengeräts. Setzen Sie den sauberen und trockenen Luftfilter wieder in seine ursprüngliche Position ein.
3. Schalten Sie den Hauptschalter mindestens 12 Stunden vor der Inbetriebnahme des Geräts ein.

Lagerung des Geräts, wenn es nicht verwendet wird

1. Lassen Sie das Gerät an einem warmen Ort 12 Stunden mit der Einstellung FAN (Lüfter) arbeiten, um zu trocknen und Schimmelbildung zu vermeiden.
2. Schalten Sie das Gerät aus und trennen Sie es von der Steckdose.
3. Reinigen Sie den Luftfilter wie im vorherigen Kapitel beschrieben. Setzen Sie den sauberen und trockenen Filter erneut ein, bevor Sie das Gerät speichern.
4. Nehmen Sie die Batterien aus der Fernbedienung heraus.

VORSICHT

Tritt einer der folgenden Fälle auf, trennen Sie sofort die Stromversorgung und wenden Sie sich an Ihren Händler, um weitere Unterstützung zu erhalten.

- Die Betriebskontrollleuchte blinkt weiterhin schnell, nachdem die Klimaanlage neu gestartet wurde.
- Die Fernbedienungstasten funktionieren nicht.
- Das Gerät brennt ständig die Sicherungen durch und lässt die Schutzschalter fallen.
- Ein Fremdkörper oder Wasser ist in die Klimaanlage eingedrungen.
- Andere anormale Situationen.

Häufige Störungen

Die folgenden Symptome weisen nicht auf eine Fehlfunktion hin und in den meisten Fällen sind keine Reparaturen erforderlich.

Störung	Mögliche Ursachen
Das Gerät wird nicht durch Drücken der EIN / AUS-Taste aktiviert	Das Gerät verfügt über eine 3-minütige Schutzfunktion, die eine Überlastung des Geräts verhindert. Das Gerät kann nicht innerhalb von drei Minuten nach der Deaktivierung neu gestartet werden.
	Modelle mit Kühl- und Heizbetrieb: Wenn die Betriebskontrollleuchten und PRE-DEF (Aufwärmen/ Auftauen) eingeschaltet sind, ist die Außentemperatur zu niedrig und der Kaltluftstrom ist aktiviert, um das Gerät abzutauen.
	Bei Modellen mit nur Kühlfunktion: Wenn die Kontrollleuchte Fan Only" (Nur Lüfter) eingeschaltet, ist die Außentemperatur zu niedrig und der Frostschutz ist aktiviert, um das Gerät abzutauen.
Das Gerät wechselt vom COOL-Modus (Kühlung) in den FAN-Modus(Lüfter).	Das Gerät ändert seine Einstellung, um Eisbildung zu verhindern. Sobald die Temperatur ansteigt, geht das Gerät wieder in Betrieb.
	Die eingestellte Temperatur wurde erreicht, sodass der Kompressor deaktiviert wird. Das Gerät arbeitet, wenn sich die Temperatur wieder ändert.
Weißer Nebel kommt aus den Innengerät	In Gegenden mit hoher Luftfeuchtigkeit kann ein großer Temperaturunterschied zwischen der Raumluft und der aus der Klimaanlage austretenden Luft zur Bildung von weißem Nebel führen.
Aus dem Innen- und Außengerät kommt weißer Nebel	Wenn das Gerät nach einem Auftauvorgang im HEAT-Modus startet, kann es durch die beim Abtauen entstehende Feuchtigkeit zu weißen Nebel kommen.
Die Inneneinheit erzeugt Geräusche	Wenn sich das System im OFF (Ausschalten)- oder im COOL- (Kühlung)Modus befindet, ist ein Knarren zu hören. Das Geräusch ist auch zu hören, wenn die Ablaufpumpe in Betrieb ist (optional).
	Knirschgeräusche können durch die HEAT (Heizung)-Funktion aufgrund der Ausdehnung und Kontraktion der Kunststoffteile des Geräts entstehen.
Die Innen- und Außengeräte erzeugen Geräusche	Während des Betriebs ertönt möglicherweise ein leises Pfeifen. Dies ist normal und wird durch den Fluss von Kühlgas durch die Innen- und Außeneinheit verursacht.
	Es ertönt möglicherweise ein leises Pfeifen, wenn das System gestartet wird, gerade gestoppt wird oder wenn der Abtauvorgang läuft. Dieses Geräusch ist normal und wird durch die Unterbrechung oder Änderung der Strömungsrichtung des Kühlmittels verursacht.
Das Innengerät erzeugt Geräusche	Das Gerät erzeugt abhängig vom aktuellen Betriebsmodus verschiedene Töne.

Störung	Mögliche Ursachen
Staub tritt entweder vom Innengerät oder vom Außengerät aus	Beim Gerät kann sich bei längerer Nichtbenutzung Staub ansammeln. Wenn das Gerät eingeschaltet wird, geht dieser Staub aus. Um dieses Phänomen zu mildern, können Sie das Gerät während längerer Inaktivität abdecken.
Das Gerät gibt einen schlechten Geruch ab	Das Gerät kann Gerüche aus der Umgebung (Möbel, Kochen, Zigaretten usw.) aufnehmen und während des Betriebs abgeben.
	Die Gerätefilter haben Schimmel gesammelt und müssen gereinigt werden.
Der Flügelrad der Außeneinheit funktioniert nicht	Während des Betriebs wird die Drehzahl des Flügelrads gesteuert, um den Betrieb des Produkts zu optimieren.

Tipps zur Fehlerbehebung

Wenn Probleme auftreten, sollten Sie Folgendes prüfen, bevor Sie sich an einen autorisierten Techniker wenden.

Störung	Mögliche Ursachen	Lösung
Das Gerät funktioniert nicht	Stromausfall	Warten Sie, bis der Strom zurückkehrt
	Der Netzschalter befindet sich in der Aus-Position	Drehen Sie den Schalter in die Ein-Position
	Die Sicherung ist durchgebrannt	Ersetzen Sie die Sicherung.
	Die Batterien der Fernbedienung sind leer	Ersetzen Sie die Batterien der Fernbedienung.
	Die 3-Minuten-Schutzfunktion des Geräts ist aktiviert	Warten Sie drei Minuten, bis Sie das Gerät neu starten
Ungenügende Kühlleistung	Die Temperatureinstellung kann höher als die Raumtemperatur sein	Reduzieren Sie die Temperatureinstellung
	Im Wärmetauscher der Innen- oder Außeneinheit hat sich Staub angesammelt	Reinigen Sie den verschmutzten Wärmetauscher
	Im Luftfilter hat sich Staub angesammelt	Entfernen Sie den Filter und reinigen Sie ihn wie angegeben
	Die Einlass- oder Auslassöffnung in der Innen- oder Außeneinheit ist verstopft	Schalten Sie das Gerät aus, entfernen Sie das Hindernis und schalten Sie es wieder ein
	Die Fenster und Türen sind offen	Stellen Sie sicher, dass alle Türen und Fenster geschlossen sind, während die Klimaanlage in Betrieb ist
	Übermäßige Wärme entsteht durch Sonnenlicht	Schließen Sie Fenster und Vorhänge bei starker Hitze oder starker Sonneneinstrahlung
	Reduzierte Kühlmittelmenge aufgrund von Leckagen oder langfristiger Verwendung	Prüfen Sie auf Lecks, dichten Sie das System bei Bedarf erneut ab und füllen Sie das Kühlmittel auf
Das Gerät startet und stoppt häufig	Das System enthält zu viel oder zu wenig Kühlmittel	Prüfen Sie auf Lecks und füllen Sie das System mit Kühlmittel auf
	Im Kühlkreislauf befindet sich Luft, nicht komprimiertes Gas oder Fremdkörper	Entleeren Sie und füllen Sie das System mit Kühlmittel auf
	Ein Teil des Systems wurde blockiert	Suchen Sie den blockierten Stromkreis und ersetzen Sie das nicht funktionierende Teil
	Kompressorfehler	Ersetzen Sie den Kompressor
	Die Spannung ist zu hoch oder zu niedrig	Installieren Sie einen Druckregler, um die Spannung zu kontrollieren
Ungenügende Heizleistung	Die Außentemperatur ist niedriger als 7 ° C (44,5 ° F)	Prüfen Sie auf Lecks und füllen Sie das System mit Kühlmittel auf
	Kalte Luft dringt durch die Türen und Fenster ein	Stellen Sie sicher, dass alle Türen und Fenster geschlossen sind, während die Klimaanlage in Betrieb ist
	Reduzierte Kühlmittelmenge aufgrund von Leckagen oder langfristiger Verwendung	Prüfen Sie auf Lecks, dichten Sie das System bei Bedarf erneut ab und füllen Sie das Kühlmittel auf

Fehlercodes



Nummer	Ursache	Anzahl der Blinksignale pro Sekunde	Kontrollleuchte	Fehlercode
1	Speicherfehler EEPROM(Programmierbarer Nur-Lese-Speicher, löscherbar mit Strom) am Innengerät	1	ausgeschaltet	E0
2	Kommunikationsproblem zwischen Innen- und Außeneinheit	2	Off	E1
3	Problem mit der Lüftergeschwindigkeit am Innengerät	4	Off	E3
4	Fehler am Innentemperatursensor	5	Off	E4
5	Fehler des Temperatursensors an der Verdampferwicklung	6	Off	E5
6	Fehlfunktion des Kältemittelaustritt-Erkennungssystems	7	Off	EC
7	Fehlfunktion des Warnsystems für den Wasserstand	8	Off	EE
8	Kommunikationsproblem am Dual-Innengerät (nur bei Modellen mit Dual-Einheit)	9	Off	EB
9	Eine weitere Funktionsstörung im Dual-Gerät-Modell	10	Off	E9
10	Überlastungsschutz	1	eingeschaltet	F0
11	Fehler am Außentemperatursensor	2	On	F1
12	Sensorfehler im externen Kondensatorrohr	3	On	F2
13	Fehler am Außenlufttemperatursensor	4	On	F3
14	EEPROM-Speicherfehler (Programmierbarer Nur-Lese-Speicher, löscherbar mit Strom) am Außengerät	5	On	F4
15	Problem mit der Lüftergeschwindigkeit an dem Außengerät (nur für das Flügelrad des Gleichstrommotors)	6	On	F5
16	Kommunikationsfehler des automatischen Rahmenliftsystems	8	On	F7
17	Kommunikationsfehler des automatischen Rahmenliftsystems	9	On	F8
18	Der Rahmen mit automatischem Liftsystem ist geöffnet	10	On	F9
19	Schutz IPM Einheit Inverter	1	Blinkt	P0
20	Schutz gegen hohe/niedrige Spannung	2	Flash	P1
21	Überhitzungsschutz des oberen Kompressorteils	3	Flash	P2
22	Schutz vor niedrigen Außentemperaturen	4	Flash	P3
23	Kompressorlaufwerkfehler	5	Flash	P4
24	Betriebsmodus stimmt nicht überein	6	Flash	P5
25	Niederdruckkompressorschutz	7	Flash	P6
26	Externer IGBT-Sensorfehler	8	Flash	P7

Für Benutzer innerhalb der Europäischen Union muss das Gerät in geeigneter Weise entsorgt werden. Dieses Gerät enthält Kühlmittel und andere potenziell gefährliche Materialien. Um dieses Gerät zu entsorgen, sind nach dem Gesetz spezielle Einsammlungs- und Verarbeitungsmethoden erforderlich. **Entsorgen** Sie dieses Produkt NICHT als Hausmüll oder als Siedlungsabfall, der keinem Trennverfahren unterzogen wurde.

Um dieses Gerät entsorgen, haben Sie folgende Möglichkeiten:

- Sie können das Gerät in einer dafür vorgesehenen städtischen Sammelstelle für nutzlose elektronische Geräte entsorgen.
- Wenn Sie ein neues Gerät kaufen, kann der Händler das alte Gerät kostenlos entgegennehmen.
- Der Hersteller kann das alte Gerät auch kostenlos entgegennehmen.
- Sie können das Gerät an zertifizierte Metallhändler verkaufen.

HINWEIS: Die Entsorgung dieses Geräts im Wald oder in einer anderen natürlichen Umgebung kann zu Gesundheitsschäden führen und die Umwelt schädigen. Gefahrstoffe können in das Grundwasser gelangen und in die Nahrungskette gelangen.



Das Unternehmen haftet nicht für Druckfehler. Produktdesign und Spezifikationen können zur Produktverbesserung ohne vorherige Ankündigung geändert werden. Einzelheiten erfahren Sie von Ihrem Händler oder Hersteller. Alle Aktualisierungen des Handbuchs werden auf der Website des Herstellers veröffentlicht. Bitte überprüfen Sie die aktuelle Version.



AIR CONDITIONING SYSTEMS

CASSETTE TYPE



Scan here to download the latest version of this manual.
Σαρώστε εδώ για να κατεβάσετε την τελευταία έκδοση του εγχειριδίου.

Please check the applicable models,
F-GAS and manufacturer information from the "Owner's Manual - Product Fiche" in the packaging of the outdoor
unit. (European Union products only).

