



MICROWAVE

- USER'S MANUAL
- ΕΓΧΕΙΡΙΔΙΟ ΧΡΗΣΗΣ
- MANUALUL DE UTILIZARE
- BEDIENUNGSANLEITUNG
- MODE D'EMPLOI
- MANUALE D'USO
- MANUAL DE USUARIO



MODELS:
MWO-20LS
MWO-20LW

ENGLISH | ΕΛΛΗΝΙΚΑ | ROMANA | DEUTSCH | FRANÇAIS
ITALIANO | ESPAÑOL



Prior to the usage of this device, carefully read this manual and store in a convenient location for future reference. This device should be used only for its intended purpose, as described in this user's manual.

PRECAUTIONS TO AVOID POSSIBLE EXPOSURE TO EXCESSIVE MICROWAVE ENERGY

- Do not attempt to operate this oven with the door open, since this can result in harmful exposure to microwave energy. It is important not to break or tamper with the safety interlocks.
- Do not place any object in front of the oven door, and check if the sealing surfaces are clear of any possible soil or cleaner residue. Do not operate this unit if you suspect any damage. Be certain that the door is closed properly with no defects on the hinges and the door seals.
- This device should only be repaired by qualified technicians.
- Do not operate the microwave oven when it is empty. There is a risk of fire and damage to the appliance.

Specifications

Model	MWO-20LS	MWO-20LW
Voltage / Frequency	220 - 240V / 50Hz	
Rated Input Power (Microwave)	1050W	
Rated Output Power (Microwave)	700 W	
Oven Capacity	20L	
Turntable Diameter	255mm	
External Dimensions(LxWxH)	439.5x359x258.2mm	440x343x259mm
Net Weight	10.3kg	

IMPORTANT SAFETY INSTRUCTIONS WARNING

To reduce the risk of fire, electric shock, injury to people or exposure to excessive microwave oven energy when using your appliance, follow basic precautions, including the following.

WARNING:

1. WARNING - This device is for household use only
2. Liquids and foods should not be heated in sealed containers, as there is a serious risk of their explosion.
3. It is hazardous for anyone other than a competent person to carry out any service or repair operation that involves the removal of a cover which gives protection against exposure to microwave energy.
4. The appliance is not intended for use by persons (including children) with reduced physical, sensory or mental capabilities, or lack of experience and knowledge, unless they have been given supervision or instruction concerning use of the appliance by a person responsible for their safety. Keep this device and its power cord away from minors that are under the age of 8 years old.
5. Minors should be supervised while using this device at all times, confirming its correct operation.
6. Only use utensils that are suitable.
7. The oven should be cleaned regularly.
8. When heating food in plastic or paper containers, be extra cautious, of a potential fire hazard. Once completed, clean the oven of any possible residues.
9. Any detection of smoke, should result in the immediate termination of operation, powering off and unplugging the unit. Keep the door shut to detain possible fumes or flames.
10. It is advised never to overcook food.
11. Do not use the oven cavity for storage purposes.
12. Remove wire twist-ties and metal handles from paper or plastic containers/bags before placing them in the oven.

13. Install or locate this oven only in accordance with the installation instructions provided.
14. Goods with a hard peel such as potatoes or chestnuts, should be slightly punctured prior to cooking or warming up, for better results.
15. It is not advised to heat nor cook eggs in microwave ovens, as there is the possibility they might explode even after being removed from the oven.
16. The microwave oven should not be operated empty, or with a very small amount of food, as there is the possibility of a spark or even fire.
17. Do not cook bacon directly on the tray. Excessive local heat can break the tray.
18. This unit is not intended to prepare preserve food, as the boiling point could differ from food to food.
19. Be extra cautious when warming baby foods. The lid from the jars and the bottles should be removed. Prior to baby feeding, mix very well to achieve a homogeneous temperature.
20. The temperature on the surface of the unit, while in operation, could possibly rise. The power cord should be kept away from the heated surfaces at all times. Vents should never be covered.
21. To avoid the possibility of a potential burning, mix all liquid foods well, prior to placing in the oven. Repeat during its heating and once again prior to removing from the oven.
22. Avoid using fat for frying.
23. Objects that are fitted to be used in microwave ovens may be very warm, once cooking is complete, be extra cautious when removing. The use of a towel is advised.
24. **WARNING:** Never use the oven to dry clothes or pets.
25. The microwave should not be placed in a closet.
26. This device is not intended for usage with an external timer or a remote control system.

27. During its operation, the unit may reach very high temperatures. Be cautious when touching the inside of the oven. This unit should be kept away from young children.
28. No steam cleaner may be used to clean the appliance.

MICROWAVE OVEN COOKING INSTRUCTIONS

1. Carefully place the food in the microwave. The smallest portions of food on a dish should be placed on the outer part.
2. Be observant of the cooking time. Add the least amount of time to be cooked and if needed once completed add more time. Overcook food may cause smoke.
3. A special, microwave friendly, food cover is advised. Covering the content, prevents possible food splashes due to the heating, and assists in better cooking results.
4. The food should be turned over more than once, while cooking, for better heating results.
5. In the event the unit is operating with the door open, power off and unplug.

USEFUL INSTRUCTIONS

1. The ideal material for use in a microwave oven is transparent, allowing microwaves to pass through and heat the food.
2. Microwaves cannot penetrate metal, so metal appliances or decorative plates should not be used in the microwave.
3. Operating with the use of paper cups or plates, should be short time, and always supervised.
4. Do not use recycled paper products when cooking with microwaves as they may contain small pieces of metal and cause sparks or even fire.
5. Round or oval dishes, especially for use in a microwave oven, are recommended as the edges tend to be cooked faster.
6. Do not use aluminum foil or other metal utensils to heat or cook food.

The following list is a general guide to help you choose the right cookware.

Cookware*	Microwave cooking
Pyrex	Yes
Ceramics	Yes
Plastics (marked as Microwave Friendly)	Yes
Paper Cups and Dishes	Yes
Non-heat resistant glassware	No
Metal cookware	No
Metal Grill	No
Aluminum foil and aluminum packaging	No

* Items that are designed to operate within a microwave, have specific microwave indications.

CLEANING INSTRUCTIONS

The following parts of the microwave oven should be cleaned on a regular basis to prevent grease and food residue build-ups.

- Inside and outside surfaces
- Door and door seals
- Glass tray and rolling rings

Always ensure that the door seals are clean and the door closes properly. Failure to maintain the oven in a clean condition could lead to deterioration of the surface that could adversely affect the operation of the appliance and possibly result in a hazardous situation.

1. Clean the outside surfaces with a soft cloth and warm, soapy water. Rinse and dry.
2. Remove any splashes or stains on the inside surfaces or on the rolling ring with a soapy cloth. Rinse and dry.
3. To remove any unwanted food particles and smells, place a cup of diluted lemon juice in the oven and operate the unit for ten minutes.
4. Remove and wash the glass tray when necessary.

WARNING: Do NOT spill water in the vents.

WARNING: Do NOT use any abrasive products or chemical solvents. Take particular care when cleaning the door seals to ensure that no particles accumulate preventing the door from closing.

- Do not clean the appliance by spraying water directly on it.
- Do not use gasoline or alcohol to clean the appliance. – It may cause color change, deformation, damage, electric shock or fire.

- Before cleaning or maintenance, unplug the appliance and remove any food residue from the door and baking part. - Failure to do so may result in electric shock or fire.
- Do not use hard cleaners with abrasive or sharp metal scrapers to clean the glass door of the oven door, as it may scratch the surface and cause the glass to break.
- Do not use the microwave to dry paper or clothes.
- For your safety, do not use pressure water purifiers or steam sprayers.
- Do not clean the device with a steam cleaner. - It may cause corrosion.

GROUNDING INSTRUCTIONS

Before operating the microwave, make sure that it is properly grounded. The microwave has a cable that has a ground wire and a plug. In the event of a voltage fluctuation, grounding will prevent possible electric shock. For the operation of the microwave oven, it is recommended to connect the plug to an outlet and not to a power outlet with other electrical appliances.

CAUTION: Improper use of the grounded outlet can cause electric shock.

Note:

- If you have any questions about grounding or other instructions, consult a qualified technician.
- Damage or injury due to improper electrical connection is not responsibility of the manufacturer or supplier.
- Cable Coloring:
 - o Green and yellow = Ground
 - o Blue = Neutral
 - o Brown = Power line

INTERFERENCES

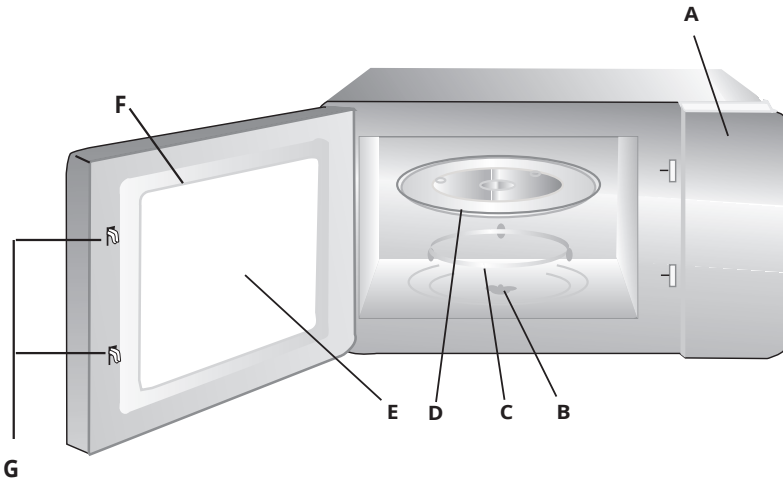
1. Operating the microwave oven may interfere with your radio, television or other devices.
2. Interference may be reduced or even eliminated by following the below measures:
 - Clean the door as well as the insulation surfaces.
 - Relocate the radio or TV antenna.
 - Move the microwave to another location.
 - Connect the microwave oven to a different power socket from other devices.

SETTING UP YOUR OVEN

Microwave Parts and Accessories

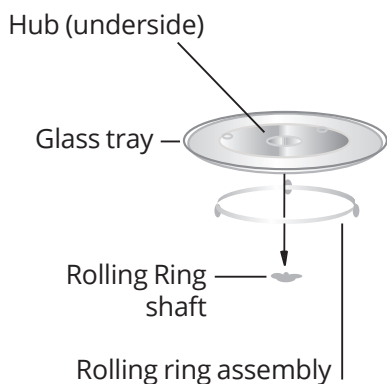
Remove the microwave oven and other objects, from the packaging. The following accessories are included:

Glass Tray	x1
Rolling Ring Assembly	x1
Instruction Manual	x1



- A. Control panel
- B. Rolling Ring shaft
- C. Rolling Ring
- D. Glass tray
- E. Glass Window (with special filming)
- F. Door assembly
- G. Safety interlock system

Glass Tray Installation



- Never place the glass tray upside down. The glass tray should never be restricted.
- Both glass tray and rolling ring assembly must always be used during cooking.
- All food and containers of food are always placed on the glass tray for cooking.
- If glass tray or rolling ring assembly cracks or breaks, contact your nearest authorized service center.

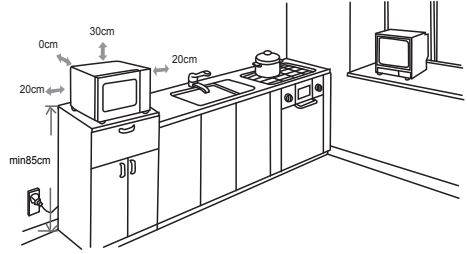
Remove all packing material and accessories. Examine the oven for any damage such as dents or broken door. Do not install if oven is damaged.

Cabinet: Remove any protective film found on the microwave oven cabinet surface.

WARNING: The light brown Mica cover which is located on the oven cavity, should never be removed. Its purpose is to protect the magnetron.

INSTALLATION

1. Select a level surface that provides enough open space for the intake and/or outlet vents.
 1. The installation height is 85cm to avoid possible contact with children.
 2. The rear surface of appliance shall be placed against a wall. Leave a minimum clearance of 30cm above the oven, a minimum clearance of 20cm is required between the oven and any adjacent walls.
 3. Do not remove the legs from the bottom of the oven.
 4. Blocking the intake and/ or outlet openings can damage the oven.
 5. Place the oven as far away from radios and TV as possible. Operation of microwave oven may cause interference to your radio or TV reception.
2. Plug your oven into a standard household outlet. Be sure the voltage and the frequency is the same as the voltage and the frequency on the rating label.



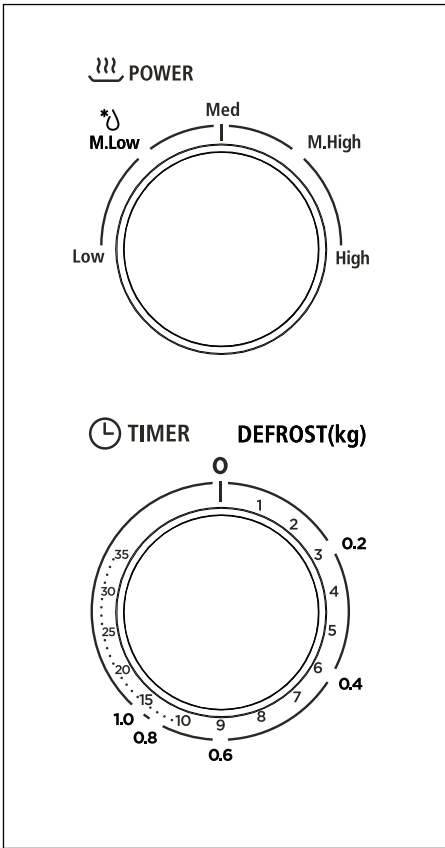
WARNING: Do not install the oven over a range cooktop or other heat-producing appliance. If installed near or over a heat source, the oven could be damaged and the warranty would be void.



The accessible surface may be hot during operation.

OPERATION

Control Panel and Features



1. To set cooking power, turn the power knob to the desired level.
2. To set the time of cooking, turn the timer knob to the desired time according to your food cooking guide.
3. The microwave oven will automatically start cooking after power level and time are set.
4. After the cooking time is up, the unit will ring and stop.
5. If the unit is not in use, always set time to "0".

Function/Power	Output	Application
Low	17% micro.	Soften ice cream
M . Low (Defrost)	33% micro.	Soup stew, soften butter or defrost
Med.	55% micro.	Stew, fish
M . High	77% micro.	Rice, fish, chicken, ground meat
High	100% micro.	Reheat, milk, boil water, vegetables, beverage

Notice: When removing food from the oven, please ensure that the oven power is switched off by turning the timer switch to 0 (zero).

Failure in performing the above, could result in the microwave overeating and possible damage to the magnetron.

CHECK BEFORE YOU CALL SERVICE

If the microwave oven does not operate:

- Check if the plug is securely attached to the power socket. If not, unplug, wait 15 seconds and re-plug.
- Check if the fuse has dropped or the main circuit breaker is disconnected.
- Try plugging the device into another socket.
- Check that you have set the correct programming.
- Check if the door is properly closed. If the door is not completely shut, the microwave will not operate.

If the device still does not work, contact a qualified technician. Do not attempt to repair the microwave yourself.



According to Waste of Electrical and Electronic Equipment (WEEE) directive, WEEE should be separately collected and treated. If at any time in future you need to dispose of this product please do NOT dispose of this product with household waste. Please send this product to WEEE collecting points where available.

All the pictures in the manual are for explanatory purposes only. The actual shape of the unit you purchased may be slightly different, but the operations and functions are the same. The company may not be held responsible for any misprinted information. The design and the specifications of the product for reasons, such as product improvement, are subject to change without any prior notice.

Please consult with the manufacturer at +30 211 300 3300 or with the Sales agency for further details. Any future updates to the manual will be uploaded to the service website, and it is advised to always check for the latest version.



Scan here to download the latest version of this manual.
www.inventorairconditioner.com/media-library

Activate your Warranty

Follow the next quick steps to activate your warranty:

STEP 1

Visit our website via the link:

<https://www.inventorairconditioner.com/warranty-inventor>

or by scanning the QR code, as follows:



STEP 2

Fill in the obligatory fields as requested in the "Owner's details" and "Unit's details":

To activate the warranty card, please fill in the following fields

Owner's details	Unit details
Owner's Name	Unit Model
Full Name	Unit Serial Number
Address*	Serial Number of the unit*

STEP 3

Click SEND button at the end of the submission form:

Subscribe to Inventor's Newsletter
in the current

I accept the terms and conditions.

once the warranty submission has been completed a confirmation message will be sent to your email

SEND

STEP 4

Wait for the confirmation email you will receive at the email address you have filled in - please also check your spam folder.

STEP 5

Inventor warranty is now valid!

ΠΡΟΦΥΛΑΞΕΙΣ ΓΙΑ ΤΗΝ ΑΠΟΦΥΓΗ ΠΙΘΑΝΗΣ ΕΚΘΕΣΗΣ ΣΕ ΥΠΕΡΒΟΛΙΚΗ ΕΝΕΡΓΕΙΑ ΜΙΚΡΟΚΥΜΑΤΩΝ

- Μην επιχειρήσετε να λειτουργήσετε τον φούρνο μικροκυμάτων με την πόρτα ανοικτή γιατί θα έχει σαν αποτέλεσμα την βλαβερή έκθεση σε ενέργεια μικροκυμάτων. Είναι σημαντικό να μην σπάσετε ή να παραβιάσετε το "Σύστημα κλειδώματος ασφαλείας" της πόρτας.
- Μην τοποθετείτε αντικείμενα μεταξύ της πρόσοψης του φούρνου και της πόρτας και μην αφήνετε υπολείμματα τροφής ή καθαριστικών να παραμείνουν και να συσσωρευτούν στις επιφάνειες. Μην λειτουργείτε τον φούρνο σε περίπτωση που παρατηρήσετε οποιαδήποτε ζημιά ή βλάβη. Είναι ιδιαίτερα σημαντικό να κλείνει σωστά η πόρτα του φούρνου και να μην υπάρχει κανένα ελάττωμα σε πόρτα, μεντεσέδες, λάστιχα της πόρτας.
- Ο φούρνος μικροκυμάτων πρέπει να επισκευάζεται μόνο από εξειδικευμένους τεχνικούς.
- Μη θέτετε το φούρνο μικροκυμάτων σε λειτουργία, όταν ο θάλαμος είναι κενός. Υπάρχει κίνδυνος πυρκαγιάς και καταστροφής της συσκευής.

Προτού χρησιμοποιήσετε τη συσκευή, διαβάστε προσεκτικά αυτό το εγχειρίδιο και φυλάξτε το σε ασφαλές μέρος κοντά στη συσκευή για μελλοντική αναφορά. Χρησιμοποιείτε αυτή τη συσκευή μόνο για το σκοπό για τον οποίο προορίζεται, όπως περιγράφεται στο παρόν εγχειρίδιο χρήσης

Τεχνικά χαρακτηριστικά

Μοντέλο	MWO-20LS	MWO-20LW
Τάση/ Συχνότητα	220 - 240V / 50Hz	
Ισχύς εισόδου	1050W	
Ισχύς μικροκυμάτων	700 W	
Χωρητικότητα φούρνου	20 λίτρα	
Διάμετρος περιστρεφόμενου πιάτου	255mm	
Εξωτερικές διαστάσεις	439.5x359x258.2mm	440x343x259m
Καθαρό Βάρος	10.3kg	

ΣΗΜΑΝΤΙΚΕΣ ΟΔΗΓΙΕΣ ΑΣΦΑΛΕΙΑΣ

Για να αποφύγετε τον κίνδυνο εγκαύματος, ηλεκτροπληξίας, φωτιάς, τραυματισμού ή έκθεσης σε υπερβολική ενέργεια μικροκυμάτων όταν χρησιμοποιείτε ηλεκτρικές συσκευές πρέπει να τηρούνται οι βασικοί κανόνες ασφαλείας.

ΠΡΟΣΟΧΗ:

1. ΠΡΟΕΙΔΟΠΟΙΗΣΗ - Αυτή η συσκευή προορίζεται μόνο για οικιακή χρήση.
2. Υγρά ή άλλα τρόφιμα δεν πρέπει να ζεσταίνονται σε σφραγισμένες συσκευασίες καθώς υπάρχει πιθανότητα να προκληθεί έκρηξη.
3. Μην προσπαθήσετε να επισκευάσετε μόνοι σας τον φούρνο μικροκυμάτων. Η αφαίρεση οποιουδήποτε καλύμματος που προστατεύει από την έκθεση σε μικροκύματα πρέπει να γίνεται μόνο από εξειδικευμένο τεχνικό.
4. Η συσκευή αυτή δεν προορίζεται για χρήση από άτομα (συμπεριλαμβανομένων των παιδιών) με περιορισμένες φυσικές, αισθητηριακές ή νοητικές ικανότητες ή με έλλειψη εμπειρίας και γνώσης, εκτός εάν βρίσκονται υπό εποπτεία ή τους έχουν δοθεί οδηγίες για τη χρήση της συσκευής από άτομο που είναι υπεύθυνο για την ασφάλειά τους. Κρατήστε τη συσκευή και το καλώδιό της μακριά από παιδιά ηλικίας κάτω των 8 ετών, ώστε να μην υπάρχει πρόσβαση από αυτά.
5. Τα παιδιά πρέπει να επιβλέπονται για να βεβαιωθείτε ότι δεν παίζουν με τη συσκευή.
6. Χρησιμοποιείτε μόνο σκεύη που ενδείκνυται για χρήση σε φούρνο μικροκυμάτων.
7. Ο φούρνος μικροκυμάτων πρέπει να καθαρίζεται συχνά και να αφαιρούνται τα υπολείμματα φαγητού.
8. Όταν ζεσταίνετε φαγητά που βρίσκονται μέσα σε πλαστική ή χάρτινη συσκευασία βεβαιωθείτε ότι η συσκευασία είναι κατάλληλη για φούρνο μικροκυμάτων και επιβλέπετε το ζέσταμα προς αποφυγή πιθανής έκρηξης.
9. Αν παρατηρήσετε καπνό, θέστε αμέσως εκτός λειτουργίας το φούρνο και αποσυνδέστε τον από την πρίζα.

Κρατήστε τη πόρτα κλειστή για αποφυγή πιθανής εξόδου φλόγας.

10. Επιβλέπετε το φαγητό κατά τη διάρκεια του ψησίματος ώστε να αποφευχθεί το υπερβολικό ψήσιμο.
11. Μην χρησιμοποιήσετε τον φούρνο για αποθήκευση τροφίμων.
12. Αφαιρέστε τυχόν καλώδια, υφάσματα και σύρματα κλεισίματος από χάρτινες ή πλαστικές σακούλες πριν τις τοποθετήσετε στο φούρνο μικροκυμάτων.
13. Τοποθετήστε το φούρνο μικροκυμάτων σύμφωνα με τις οδηγίες που θα βρείτε παρακάτω.
14. Ξεφλουδίστε ή τρυπήστε τα φαγητά με σκληρή φλούδα όπως, πατάτες, κάστανα, ολόκληρο κολοκύθι, μήλα κλπ πριν το μαγείρεμα ή το ζέσταμα.
15. Μην μαγειρεύετε ή ζεσταίνετε αυγά με το τσόφλι στο φούρνο μικροκυμάτων διότι μπορεί να προκληθεί έκρηξη ακόμα και μετά το μαγείρεμα ή ζέσταμα τους.
16. Μην λειτουργείτε το φούρνο ενώ είναι άδειος. Εάν λειτουργήσει άδειος ή με ελάχιστο και ξηρό φαγητό μπορεί να προκληθεί φωτιά ή σπινθήρας.
17. Μην ψήνετε μπέικον απευθείας πάνω στο δίσκο. Η υπερβολική τοπική θερμότητα μπορεί να σπάσει το δίσκο.
18. Μην προσπαθήσετε να κονσερβοποιήσετε γιατί είναι αδύνατο να γνωρίζετε εάν όλα τα υλικά έχουν φθάσει σε σημείο βρασμού.
19. Δώστε ιδιαίτερη προσοχή στο ζέσταμα του φαγητού για νεογέννητα. Βγάζετε το καπάκι από τα βαζάκια και το καπάκι από το μπιμπερό κατά τη διάρκεια ζεστάματος. Πριν δώσετε το φαγητό στο μωρό ανακατέψετε πολύ καλά το περιεχόμενο έτσι ώστε να επιτευχθεί ομοιογενής θερμοκρασία.
20. Η θερμοκρασία των επιφανειών μπορεί να είναι υψηλή κατά την λειτουργία της συσκευής. Οι επιφάνειες τείνουν να ζεσταίνονται κατά τη χρήση τους.

Φυλάσσετε το καλώδιο μακριά από θερμαινόμενες επιφάνειες και μην καλύπτετε κανένα τμήμα του φούρνου.

21. Για να αποφύγετε το εκρηκτικό βράσιμο υγρών και πιθανό κάψιμο των χεριών σας, ανακατέψτε το υγρό μέσα στο δοχείο πριν το τοποθετήσετε στο φούρνο. Επαναλάβετε κατά τη διάρκεια της θέρμανσης και ξανά λίγο πριν το βγάλετε το δοχείο από το φούρνο μικροκυμάτων.
22. Μην προσπαθήσετε να τηγανίσετε μέσα σε ποσότητα λίπους.
23. Τα δοχεία και οι συσκευές μαγειρέματος μπορεί να θερμανθούν λόγω της θερμοκρασίας που μπορεί να μεταφερθεί από το ζεστό φαγητό. Για αυτό το λόγο να χρησιμοποιήτε πετσέτα για να βγάλετε το σκεύος μαγειρέματος από τον φούρνο μικροκυμάτων.
24. **ΠΡΟΕΙΔΟΠΟΙΗΣΗ:** Μην βάζετε ποτέ ρούχα ή κατοικίδια στον φούρνο για να στεγνώσουν.
25. Ο φούρνος μικροκυμάτων δεν θα πρέπει να τοποθετείται μέσα σε ντουλάπι.
26. Η συσκευή που έχετε δεν προορίζεται για χρήση με εξωτερικό χρονόμετρο ή ξεχωριστό σύστημα τηλεχειρισμού.
27. Κατά τη χρήση, η συσκευή αναπτύσσει υψηλές θερμοκρασίες. Προσοχή να μην αγγίζετε τα εσωτερικά μέρη του φούρνου. Τα μικρά παιδιά θα πρέπει να παραμένουν μακριά.
28. Δεν επιτρέπεται η χρήση καθαριστή ατμού για τον καθαρισμό της συσκευής.

ΟΔΗΓΙΕΣ ΜΑΓΕΙΡΕΜΑΤΟΣ ΜΕ ΤΟΝ ΦΟΥΡΝΟ ΜΙΚΡΟΚΥΜΑΤΩΝ

1. Τοποθετήστε το φαγητό προσεκτικά μέσα στο φούρνο μικροκυμάτων. Τοποθετήστε τα πιο λεπτά σημεία προς το εξωτερικό μέρος του πιάτου.
2. Προσέξτε το χρόνο μαγειρέματος. Μαγειρεύετε στο συντομότερο χρόνο και προσθέστε στη συνέχεια όσο χρόνο πιθανόν χρειαστεί. Το φαγητό που έχει μαγειρευτεί παραπάνω ενδέχεται να βγάλει καπνούς.
3. Σκεπάστε το φαγητό κατά το μαγείρεμα με ειδικό σκεύος για χρήση σε φούρνο μικροκυμάτων. Η κάλυψη του πιάτου αποτρέπει τις πιτσιλιές από τα τρόφιμα και βοηθά στο ομοιόμορφο μαγείρεμα.
4. Γυρίζετε το φαγητό πάνω από μία φορά κατά τη διάρκεια του μαγειρέματος για να επιτύχετε καλύτερο ψήσιμο.
5. Διακόψτε την παροχή ρεύματος σε περίπτωση που ανοίξει η πόρτα κατά τη διάρκεια της λειτουργίας του φούρνου.

ΧΡΗΣΙΜΕΣ ΟΔΗΓΙΕΣ

1. Το ιδανικό υλικό για χρήση σε φούρνο μικροκυμάτων είναι κάτι διαφανές έτσι ώστε να επιτρέπεται στα μικροκύματα να περνούν από μέσα και να ζεσταίνουν το φαγητό.
2. Τα μικροκύματα δεν μπορούν να διαπεράσουν το μέταλλο, έτσι οι μεταλλικές συσκευές ή τα πιάτα με διακοσμήσεις δεν πρέπει να χρησιμοποιούνται στο φούρνο μικροκυμάτων.
3. Το ζέσταμα σε χάρτινα ποτήρια ή πιάτα πρέπει να γίνεται πάντα σε πολύ σύντομους χρόνους και πάντα υπό την επίβλεψή σας.
4. Μη χρησιμοποιείτε τα ανακυκλωμένα χάρτινα προϊόντα κατά το μαγείρεμα με μικροκύματα διότι μπορεί να περιέχουν μικρά ίχνη μετάλλων και να προκληθούν

σπινθήρες ή ακόμα και πυρκαγιά.

5. Στρογγυλά ή οβάλ πιάτα, ειδικά για χρήση σε φούρνο μικροκυμάτων, συνιστώνται καθώς το φαγητό στις άκρες τείνει να μαγειρεύεται πιο γρήγορα.
6. Μη χρησιμοποιείτε αλουμινόχαρτο ή άλλου είδους μεταλλικά σκεύη για το ζέσταμα ή το μαγείρεμα του φαγητού.

Ο κάτωθι κατάλογος είναι ένας γενικός οδηγός που θα σας βοηθήσει να επιλέξετε τα σωστά μαγειρικά σκεύη.

Μαγειρικά Σκεύη*	Μαγείρεμα σε μικροκύματα
Πυρέξ	Ναι
Κεραμικά	Ναι
Πλαστικά (μόνο όσα φέρουν την ένδειξη 'Κατάλληλα για Φούρνους Μικροκυμάτων')	Ναι
Χάρτινα Ποτήρια και πιάτα	Ναι
Γυάλινα σκεύη μη ανθεκτικά στη θερμότητα	Όχι
Μεταλλικά σκεύη	Όχι
Μεταλλική σχάρα	Όχι
Φύλλο αλουμινίου (αλουμινόχαρτο) και έτοιμες συσκευασίες αλουμινίου	Όχι

* Τα ανωτέρω σκεύη που επιτρέπονται για μαγείρεμα σε μικροκύματα έχουν την ένδειξη κατάλληλα για χρήση σε φούρνο μικροκυμάτων.

ΟΔΗΓΙΕΣ ΚΑΘΑΡΙΣΜΟΥ

Τα παρακάτω εξαρτήματα του φούρνου μικροκυμάτων θα πρέπει να καθαρίζονται τακτικά, προκειμένου να αποφευχθεί η συσσώρευση λίπους και υπολειμμάτων τροφών:

- Εσωτερικές και εξωτερικές επιφάνειες
- Πόρτα και τσιμούχες πόρτας
- Περιστρεφόμενος δίσκος και δακτύλιος κύλισης

Πάντοτε να φροντίζετε, ώστε οι τσιμούχες της πόρτας να είναι καθαρές και η πόρτα να κλείνει κανονικά. Εάν ο φούρνος δεν διατηρηθεί καθαρός, μπορεί να προκληθεί φθορά στην επιφάνεια η οποία ενδέχεται να επηρεάσει αρνητικά τη διάρκεια ζωής της συσκευής και να προκληθούν επικίνδυνες καταστάσεις.

1. Καθαρίστε τις εξωτερικές επιφάνειες με ένα μαλακό πανί και χλιαρό νερό με σαπούνι. Ξεπλύνετε και στεγνώστε.
2. Απομακρύνετε τυχόν πιτσιλιές ή λεκέδες από τις εσωτερικές επιφάνειες ή από το δακτύλιο κύλισης με ένα πανί και σαπούνι. Ξεπλύνετε και στεγνώστε.
3. Για την αφαίρεση τροφής που έχει κολλήσει και την απομάκρυνση των μυρωδιών, τοποθετήστε στον περιστρεφόμενο δίσκο ένα φλιτζάνι αραιωμένου χυμού λεμονιού και θερμάνετε για δέκα λεπτά στη μέγιστη βαθμίδα ισχύος.
4. Να πλένετε το πιάτο όποτε απαιτείται.

ΠΡΟΣΟΧΗ: Μην ρίχνετε νερό στις οπές εξαερισμού.

ΠΡΟΣΟΧΗ: Μην χρησιμοποιείτε καθαριστικά με αποξεστικά και χημικούς διαλύτες. Προσέξτε ιδιαίτερα κατά τον καθαρισμό των λάστιχων της πόρτας, προκειμένου να εξασφαλίσετε ότι δεν υπάρχουν σωματίδια που συσσωρεύονται και εμποδίζουν το σωστό κλείσιμο της πόρτας

- Μην καθαρίζετε τη συσκευή ψεκάζοντας νερό απευθείας επάνω της.
- Μην χρησιμοποιείτε βενζίνη, διαλυτικό ή οινόπνευμα για να καθαρίσετε τη συσκευή. - Ενδέχεται να προκληθεί αλλοίωση στο χρώμα, παραμόρφωση, ζημιά, ηλεκτροπληξία ή πυρκαγιά.
- Πριν από τον καθαρισμό ή τις εργασίες συντήρησης, αποσυνδέστε τη συσκευή από την πρίζα και αφαιρέστε τα υπολείμματα τροφών από την πόρτα και το τμήμα ψησίματος. - Διαφορετικά, ενδέχεται να προκληθεί ηλεκτροπληξία ή πυρκαγιά.
- Μην χρησιμοποιείτε σκληρά καθαριστικά με αποξεστικά ή αιχμηρά μεταλλικά εργαλεία απόξεσης για να καθαρίσετε τη γυάλινη επιφάνεια της πόρτας του φούρνου, διότι μπορεί να γρατσουνίσετε την επιφάνεια και να προκληθεί θραύση του γυαλιού.
- Μην χρησιμοποιείτε το φούρνο μικροκυμάτων για να στεγνώσετε χαρτιά ή ρούχα.
- Για την ασφάλειά σας, μην χρησιμοποιείτε συσκευές καθαρισμού με νερό υπό πίεση ή συσκευές εκτόξευσης ατμού.
- Μην καθαρίζετε τη συσκευή με ατμοκαθαριστή. - Ενδέχεται να προκληθεί διάβρωση.

ΟΔΗΓΙΕΣ ΓΕΙΩΣΗΣ

Πριν τη λειτουργία του φούρνου μικροκυμάτων βεβαιωθείτε ότι υπάρχει σωστή γείωση. Ο φούρνος μικροκυμάτων διαθέτει καλώδιο που έχει γειωμένο σύρμα και φικς. Σε περίπτωση αυξομείωσης της τάσης του ρεύματος η γείωση θα αποτρέψει πιθανή ηλεκτροπληξία. Για τη λειτουργία του φούρνου μικροκυμάτων συνιστάται η σύνδεση του φικς σε πρίζα και όχι σε πολύπριζο μαζί με άλλες ηλεκτρικές συσκευές.

ΠΡΟΣΟΧΗ: Εσφαλμένη χρήση της γειωμένης πρίζας μπορεί να προκαλέσει ηλεκτροπληξία.

Σημείωση:

- Σε περίπτωση που έχετε κάποιες απορίες όσον αφορά στη γείωση ή σε άλλες οδηγίες, συμβουλευτείτε εξειδικευμένο τεχνικό.
- Καταστροφή ή τραυματισμός λόγω μη σωστής διαδικασίας ηλεκτρικών συνδέσεων δεν βαρύνει τον κατασκευαστή ή προμηθευτή.
- Χρωματισμός καλωδίων:
 - ο Πράσινο και κίτρινο = Γείωση
 - ο Μπλε = Ουδέτερο
 - ο Καφέ = Καλώδιο διέλευσης ηλεκτρικού ρεύματος

ΠΑΡΕΜΒΟΛΕΣ

1. Η λειτουργία του φούρνου μικροκυμάτων μπορεί να προκαλέσει παρεμβολές στο ραδιόφωνό σας την τηλεόραση ή σε άλλες συσκευές.
2. Σε περίπτωση που υπάρχει παρεμβολή, μπορεί να μειωθεί ή και να εξαλειφθεί παίρνοντας τα κάτωθι μέτρα:
 - Καθαρίστε την πόρτα καθώς επίσης και τις επιφάνειες μόνωσης.
 - Μετακινήστε την κεραία του ραδιοφώνου ή της τηλεόρασης.
 - Μετακινήστε τον φούρνο μικροκυμάτων σε κάποιο άλλο σημείο.
 - Συνδέστε το φούρνο μικροκυμάτων σε διαφορετική πρίζα από τις υπόλοιπες συσκευές.

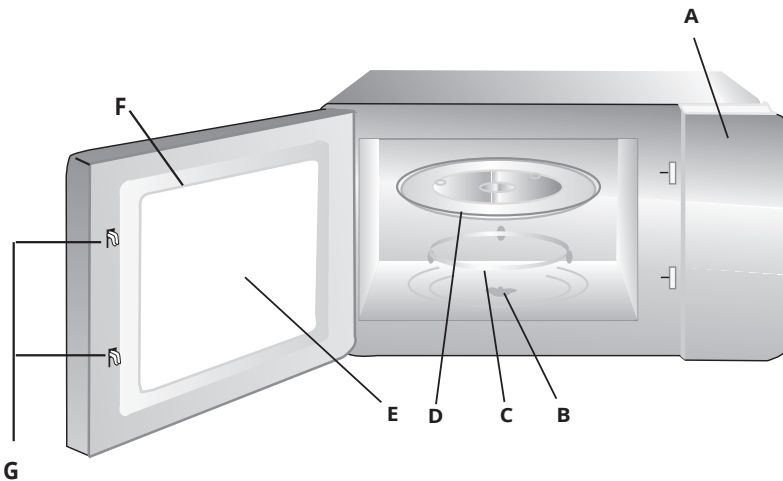
ΕΓΚΑΤΑΣΤΑΣΗ ΤΟΥ ΦΟΥΡΝΟΥ ΜΙΚΡΟΚΥΜΑΤΩΝ

Ονοματολογία ανταλλακτικών και αξεσουάρ

Αφαιρέστε τον φούρνο και όλα τα υλικά μέσα από τη συσκευασία.

Τα αξεσουάρ που περιλαμβάνει ο φούρνος είναι τα ακόλουθα:

Γυάλινος δίσκος	1
Δακτύλιος του περιστρεφόμενου δίσκου	1
Εγχειρίδιο χρήσης	1



- A. Πίνακας χειρισμού
- B. Μηχανισμός περιστροφής
- C. Δακτύλιος περιστρεφόμενου δίσκου
- D. Γυάλινος δίσκος
- E. Παράθυρο πόρτας
- F. Πόρτα
- G. Σύστημα κλειδώματος ασφαλείας

Εγκατάσταση δίσκου περιστροφής

Άξονας περιστροφής στο κάτω μέρος από γυάλινο δίσκο



- α. Μην τοποθετείτε ποτέ τον γυάλινο δίσκο ανάποδα. Η περιστροφή του δίσκου δεν πρέπει να εμποδίζεται ποτέ.
- β. Κατά τη διάρκεια του ψησίματος πρέπει πάντα να χρησιμοποιείτε το γυάλινο δίσκο και τον δακτύλιο περιστροφής.
- γ. Πάντα το φαγητό και τα δοχεία πρέπει να τοποθετούνται πάνω στο δίσκο για μαγείρεμα
- δ. Εάν ο δίσκος ή ο δακτύλιος ραγίσει ή σπάσει πρέπει οπωσδήποτε να αντικατασταθεί.

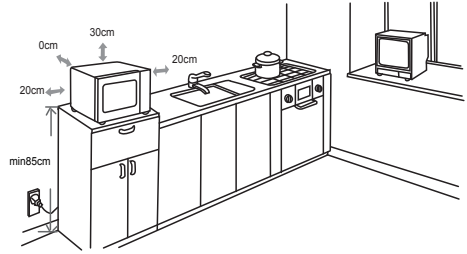
Αφαιρέστε όλα τα υλικά συσκευασίας και τα αξεσουάρ. Εξετάστε τον φούρνο για τυχόν ζημιές όπως χτυπήματα ή σπασμένη πόρτα. Μην εγκαταστήσετε την συσκευή εάν είναι φθαρμένη.

Αφαιρέστε οποιαδήποτε προστατευτική μεμβράνη βρίσκεται στην επιφάνεια του θαλάμου φούρνου μικροκυμάτων.

ΠΡΟΣΟΧΗ: Μην αφαιρέσετε το ανοιχτό καφέ κάλυμμα Mica που είναι προσαρτημένο στο εσωτερικό της συσκευής για την προστασία του μάγνητρου.

ΤΟΠΟΘΕΤΗΣΗ

1. Επιλέξτε μια επίπεδη επιφάνεια όπου η συσκευή θα είναι ελεύθερη περιμετρικά.
 1. Το ελάχιστο αναγκαίο ύψος για την εγκατάσταση είναι 85cm.
 2. Η πίσω πλευρά της συσκευής θα πρέπει να τοποθετείται προς τον τοίχο. Αφήστε περιθώριο ελεύθερου χώρου 30cm πάνω από το φούρνο και 20cm μεταξύ του φούρνου και του τοίχου.
 3. Μην αφαιρείτε τις βάσεις στήριξης (ποδαράκια) από το κάτω μέρος της συσκευής.
 4. Ο αποκλεισμός των ανοιγμάτων εισαγωγής ή/και εξαγωγής μπορεί να προκαλέσει βλάβη στο φούρνο.
 5. Τοποθετήστε το φούρνο όσο το δυνατόν μακρύτερα από τηλεόραση και ραδιόφωνο. Η λειτουργία του φούρνου μπορεί να προκαλέσει παρεμβολές στη συχνότητα.
2. Συνδέστε την συσκευή στο ηλεκτρικό δίκτυο αφού διαπιστώσετε ότι είναι συμβατή με τις προδιαγραφές που αναγράφονται στο ταμπελάκι στο πίσω μέρος του φούρνου.



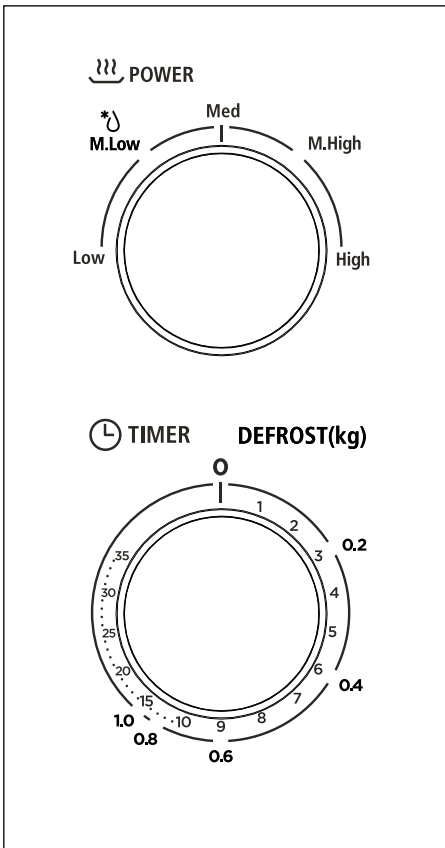
ΠΡΟΣΟΧΗ: Μην τοποθετείτε τον φούρνο στο επάνω μέρος κουζίνας ή άλλης ηλεκτρικής συσκευής που παράγει θερμότητα. Εάν εγκατασταθεί μπορεί να καταστραφεί και η εγγύηση δεν ισχύει.



Η επιφάνεια μπορεί να είναι ζεστή κατά τη διάρκεια της λειτουργίας.

ΛΕΙΤΟΥΡΓΙΑ

Πίνακας ελέγχου και λειτουργίες



1. Για να επιλέξετε την ισχύ του ψησίματος περιστρέψτε το κουμπί «POWER» στο επιθυμητό σημείο.
2. Για να επιλέξετε την διάρκεια του ψησίματος περιστρέψτε τον χρονοδιακόπτη (TIMER) στον χρόνο που απαιτείται ανάλογα με το είδος του φαγητού
3. Η λειτουργία της συσκευής θα ξεκινήσει αυτόματα μόλις επιλέξετε το επίπεδο ψησίματος και την διάρκεια.
4. Όταν ολοκληρωθεί το ψήσιμο θα ακουστεί ένα ηχητικό σήμα και θα σταματήσει η λειτουργία της συσκευής.
5. Όταν η συσκευή δεν χρησιμοποιείται τοποθετείστε τον χρονοδιακόπτη (TIMER) στο '0'

Λειτουργία/ Ισχύς	Ενέργεια	Εργασία
Low	17% micro.	Λιώσιμο παγωτού
M. Low	33% micro.	Ζέσταμα σούπας, Λιώσιμο βουτύρου, ξεπάγωμα
Medium	55% micro.	Ζέσταμα φαγητού, μαγείρεμα ψαριού
M. High	77% micro.	Μαγείρεμα ρυζιού, κοτόπουλου, κρέατος ή κροκέτας ψαριού
High	100% micro.	Ζέσταμα γάλατος, βράσιμο νερού, λαχανικών, κοτόπουλου.

Σημείωση: Όταν αφαιρείτε τρόφιμα από το φούρνο, βεβαιωθείτε ότι η τροφοδοσία του φούρνου είναι απενεργοποιημένη γυρίζοντας το διακόπτη χρονοδιακόπτη στο 0 (μηδέν). Εάν λειτουργείτε τον φούρνο μικροκυμάτων χωρίς φαγητό μπορεί να προκληθεί υπερθέρμανση και ζημιά στην συσκευή.

ΕΛΕΓΧΟΣ ΠΡΙΝ ΚΑΛΕΣΕΤΕ ΤΟ SERVICE

Σε περίπτωση που ο φούρνος μικροκυμάτων δεν λειτουργεί:

- Ελέγξτε εάν το φινιρίσματα εφάπτεται σωστά στη πρίζα. Σε περίπτωση που δεν εφάπτεται σωστά αφαιρέστε τον από την πρίζα. Περιμένετε 15 δευτερόλεπτα και τοποθετήστε τον ξανά στην πρίζα.
- Ελέγξτε εάν έχει πέσει η ασφάλεια ή αν υπάρχει διακοπή στο κεντρικό κύκλωμα.
- Δοκιμάστε να λειτουργήσετε την συσκευή σε άλλη πρίζα.
- Ελέγξτε αν έχετε ρυθμίσει τον σωστό προγραμματισμό.
- Ελέγξτε εάν η πόρτα έχει κλείσει σωστά. Σε περίπτωση που δεν έχει κλείσει, η ενέργεια των μικροκυμάτων δεν μπορεί να διοχετευθεί μέσα στο φούρνο με αποτέλεσμα αυτός να μην λειτουργεί.

Εάν η συσκευή εξακολουθεί να μην λειτουργεί, επικοινωνήστε με εξειδικευμένο τεχνικό. **Μην προσπαθήσετε** να επισκευάσετε το φούρνο μικροκυμάτων μόνοι σας.



Σύμφωνα με την οδηγία για τα απόβλητα ηλεκτρικού και ηλεκτρονικού εξοπλισμού (ΑΗΗΕ), τα ΑΗΗΕ πρέπει να συλλέγονται χωριστά και να υφίστανται επεξεργασία. Εάν οποιαδήποτε στιγμή στο μέλλον πρέπει να απορρίψετε αυτό το προϊόν, παρακαλούμε μην απορρίψετε αυτό το προϊόν με τα οικιακά απορρίμματα. Στείλτε αυτό το προϊόν στα σημεία συλλογής των ΑΗΗΕ.

Όλες οι εικόνες στο παρόν εγχειρίδιο εξυπηρετούν επεξηγηματικούς σκοπούς.

Το προϊόν που προμηθευτήκατε μπορεί να εμφανίζει ορισμένες διαφορές ως προς το σχήμα, ωστόσο οι λειτουργίες και τα χαρακτηριστικά παραμένουν ίδια.

Η εταιρεία δεν φέρει ευθύνη για τυχόν τυπογραφικά λάθη. Ο σχεδιασμός και οι προδιαγραφές του προϊόντος μπορεί να τροποποιηθούν χωρίς προηγούμενη ειδοποίηση με σκοπό τη βελτίωση των προϊόντων.

Για λεπτομέρειες, απευθυνθείτε στον κατασκευαστή στο 211 300 3300 ή στον αντιπρόσωπο. Τυχόν ενημερώσεις του εγχειρίδιου θα αναρτηθούν στην ιστοσελίδα του κατασκευαστή, παρακαλούμε να ελέγξετε για την πιο πρόσφατη έκδοση.



Σαρώστε εδώ
για να κατεβάσετε την τελευταία έκδοση του εγχειριδίου.
www.inventoraircondition.gr/media-library

Υποβολή Εγγύησης

Ακολουθήστε τα παρακάτω σύντομα βήματα για να ενεργοποιήσετε την εγγύησή σας:

ΒΗΜΑ 1

Επισκεφθείτε την ιστοσελίδα μας μέσω του παρακάτω συνδέσμου:

<https://www.inventoraircondition.gr/egiisi-inventor>

ή σκανάροντας τον ακόλουθο κωδικό QR:



ΒΗΜΑ 2

Συμπληρώστε όλα τα απαραίτητα πεδία όπως ζητούνται στα "Στοιχεία ιδιοκτήτη" και "Στοιχεία μηχανήματος":

Για να ενεργοποιήσετε την εγγύηση, παρακαλούμε συμπληρώστε τα παρακάτω πεδία:

Στοιχεία ιδιοκτήτη	Στοιχεία μηχανήματος
Όνομα	Τύπος
Διεύθυνση*	Σειριακός αριθμός μηχανήματος*

ΒΗΜΑ 3

Πατήστε το κουμπί ΑΠΟΣΤΟΛΗ, στο κάτω μέρος της φόρμας υποβολής:

Διεύθυνση email*

Να εγγραφώ στο newsletter της Inventor

ΑΠΟΣΤΟΛΗ Η εγγραφή αποδέχεται τους όρους και τις προϋποθέσεις.

Μολις ολοκληρωθεί η υποβολή της εγγύησης θα λάβετε την επιβεβαίωση κατοχύρωσης στο email σας

ΒΗΜΑ 4

Θα λάβετε σχετικό mail επιβεβαίωσης στη διεύθυνση email που έχετε δηλώσει. Παρακαλούμε ελέγξτε και τον φάκελο με τα Ανεπιθύμητα εισερχόμενα.

ΒΗΜΑ 5

Έχετε υποβάλει επιτυχώς την εγγύηση του προϊόντος Inventor!

PRECAUȚII PENTRU A EVITA EXPUNEREA EXCESIVA LA ENERGIA MICROUNDELOR

- Nu încercați să acționați acest cuptor cu ușa deschisă, deoarece acest lucru poate duce la o expunere dăunătoare la energia cu microunde. Este important să nu se rupa sau să nu se modifice mecanismele de siguranță.
- Nu încercați să acționați acest cuptor cu ușa deschisă, deoarece acest lucru poate duce la o expunere dăunătoare la energia cu microunde. Este important să nu se rupa sau să nu se modifice mecanismele de siguranță.
- Acest dispozitiv trebuie reparat numai de către tehnicieni calificați.
- Nu folosiți cuptorul cu microunde atunci când este gol. Acolo prezintă un risc de incendiu și deteriorare a aparatului.

Înainte de a utiliza acest aparat, citiți cu atenție acest manual și păstrați-l la îndemână pentru referințe viitoare.

Acest aparat va fi utilizat doar în scopul pentru care a fost fabricat, așa cum este descris în acest manual de utilizare.

Specificatii

Model	MWO-20LS	MWO-20LW
Voltaj / Frecventa	220 - 240V / 50Hz	
Putere nominală de intrare	1050W	
Putere nominală de ieșire	700 W	
Capacitatea cuptorului	20L	
Diametru rotativ	255mm	
Dimensiuni externe (LxAxI)	439.5x359x258.2mm	440x343x259mm
Greutate neta	10.3kg	

INSTRUCȚIUNI IMPORTANTE DE SIGURANȚĂ

Pentru a reduce riscul de incendiu, șoc electric, vătămare a persoanelor sau expunere la energie excesivă a cuptorului cu microunde atunci când utilizați aparatul, urmați precauțiile de bază, inclusiv următoarele.

AVERTISMENT:

1. AVERTISMENT - Acest dispozitiv este destinat exclusiv uzului casnic.
2. Lichidele și alimentele nu trebuie încălzite în recipiente sigilate, deoarece există riscul de explozie a acestora.
3. Este periculos pentru oricine, în afară de o persoană competentă, să efectueze orice operațiune de service sau reparație care presupune îndepărtarea unui capac care să ofere protecție împotriva expunerii la energia cu microunde.
4. Aparatul nu este destinat utilizării de către persoane (inclusiv copii) cu capacități fizice, senzoriale sau mentale reduse sau lipsă de experiență și cunoștințe, cu excepția cazului în care au primit supraveghere sau instrucțiuni cu privire la utilizarea aparatului de către o persoană responsabilă pentru siguranță. Țineți acest dispozitiv și cablul de alimentare departe de minori cu vârsta sub 8 ani.
5. Minorii trebuie supravegheați în timp ce utilizează acest dispozitiv în orice moment, confirmând funcționarea sa corectă.
6. Folosiți numai ustensile adecvate pentru cuptoarele cu microunde.
7. Cuptorul trebuie curățat regulat.
8. Când se încălzesc alimentele în recipiente de plastic sau de hartie, trebuie să vă aflați în apropierea cuptorului, deoarece există riscul aprinderii. Odată finalizată operațiunea, cuptorul trebuie curățat de orice reziduuri posibile.
9. Orice detectare a fumului ar trebui să ducă la încetarea imediată a funcționării, oprirea și deconectarea unității. Țineți ușa închisă pentru a reține fumul sau flăcările.
10. Nu supraîncălziți mâncarea.
11. Nu folosiți cavitatea cuptorului pentru depozitare.

12. Îndepărtați legăturile de sârmă și mânerile de metal din recipientele / pungile din hârtie sau din plastic înainte de a le introduce în cuptor.
13. Montați acest cuptor numai în conformitate cu instrucțiunile de instalare furnizate.
14. Mărfurile cu o coajă tare, cum ar fi cartofii sau castanele, trebuie să fie ușor perforate înainte de gătit sau încălzire, pentru rezultate mai bune.
15. Nu este recomandat să încălziți sau să gătiți ouă în cuptoare cu microunde, deoarece există posibilitatea ca acestea să explodeze chiar și după ce au fost scoase din cuptor.
16. Cuptorul cu microunde nu trebuie să funcționeze gol sau cu o cantitate foarte mică de alimente, deoarece există posibilitatea unei scântei sau chiar a unui foc.
17. Nu gătiți sunca direct pe tavă. Căldura locală excesivă poate deteriora tava.
18. Această unitate nu este destinată pregătirii alimentelor conservate, deoarece punctul de fierbere ar putea diferi de la un tip de aliment la altul.
19. Fii mai prudent atunci când încălzești alimentele pentru copii. Capacul din borcane și sticle trebuie îndepărtat. Înainte de hrănirea bebelușului, amestecați foarte bine pentru a obține o temperatură omogenă.
20. În timpul funcționării, temperatura de pe suprafața unității ar putea crește. Cablul de alimentare trebuie ținut departe de suprafețele încălzite. Pachetele nu trebuie acoperite niciodată.
21. Pentru a evita posibilitatea unei arderi potențiale, amestecați bine toate alimentele lichide, înainte de a fi introduse în cuptor. Repetați în timpul încălzirii și încă o dată înainte de a scoate din cuptor.
22. Evitați să folosiți grăsime pentru prăjire.
23. Obiectele care sunt utilizate în cuptoarele cu microunde pot fi foarte calde, o dată ce gătitul este complet, fiți foarte precauți atunci când scoateți din cuptor. Se recomandă utilizarea unui prosop.

24. **AVERTIZARE:** Nu folosiți niciodată cuptorul pentru a usca haine sau animale de companie.
25. Cuptorul cu microunde nu trebuie stocat într-un dulap.
26. Acest dispozitiv nu este destinat utilizării cu un cronometru extern sau un sistem de control de la distanță.
27. În timpul funcționării sale, unitatea poate atinge temperaturi foarte ridicate. Fii prudent când atingi interiorul cuptorului. Această unitate trebuie ținută departe de copiii mici.
28. Nu se poate folosi niciun produs de curățare cu aburi pentru curățarea aparatului.

INSTRUCTIUNI DE FOLOSIRE ALE CUPTORULUI CU MICROUND

1. Puneți cu grijă mâncarea în cuptorul cu microunde. Cele mai mici porții de mâncare de pe un vas trebuie așezate pe partea exterioară.
2. Fii atent la timpul de preparare. Adăugați cel mai mic timp pentru incalzire și, dacă este nevoie, odată finalizat, adăugați mai mult timp. Incalzirea în exces poate provoca fum.
3. Este recomandată folosirea unui capac. Acoperirea conținutului previne posibilele stropiri datorate încălzirii și ajută la procesul de incalzire a mancarii.
4. Mâncarea trebuie să fie intoarsă de mai multe ori, în timp ce se gătește, pentru a obține rezultate mai bune la încălzire.
5. În cazul în care unitatea funcționează cu ușa deschisă, opriți și deconectați.

INSTRUCTIUNI DE UTILIZARE

1. Materialul ideal pentru utilizare într-un cuptor cu microunde este transparent, permițând microundelor să treacă și să încălzească alimentele.
2. Microundele nu pot pătrunde în metal, deci aparate metalice sau plăcile decorative nu trebuie utilizate în cuptorul cu microunde.
3. Incalzirea in pahare sau farfurii de hârtie, trebuie să fie de

scurta durată și supravegheată întotdeauna.

4. Nu folosiți produse din hârtie reciclată atunci când gătiți cu microunde, deoarece acestea pot conține bucăți mici de metal și pot provoca scânteii sau chiar foc.
5. Bucățile rotunde sau ovale, în special pentru utilizarea într-un cuptor cu microunde, sunt recomandate, deoarece marginile tind să fie gătite mai repede.
6. Nu folosiți folie de aluminiu sau alte ustensile metalice pentru a încălzi sau a găti mâncarea.

The following list is a general guide to help you choose the right cookware.

Vase de gatit*	Gatit cu microunde
Pyrex	Da
Ceramica	Da
Plastic (etichetat ca Potrivit pentru Microunde)	Da
Pahare si vase din hartie	Da
Articole din sticla ce nu este rezistenta la caldura	Nu
Vase din metal	Nu
Gratar metalic	Nu
Ambalaje din folie de aluminiu și aluminiu	Nu

* Elementele care sunt proiectate să funcționeze într-un cuptor cu microunde, au indicații specifice pentru microunde.

INSTRUCIUNI DE CURATARE

Următoarele părți ale cuptorului cu microunde trebuie curățate în mod regulat pentru a preveni acumularea de grăsimi și reziduuri alimentare:

- Suprafetele interne și externe
- Usa și garniturile
- Tava de sticlă și inelele de rulare

Asigurați-vă întotdeauna că garniturile ușilor sunt curate și ușa se închide corect. Dacă cuptorul nu este curat, poate duce la deteriorarea suprafeței care ar putea afecta negativ aparatul și poate duce la o situație periculoasă.

1. Curățați suprafețele exterioare cu o cârpă moale și săpun cu apă. Clătiți și uscați.
2. Îndepărtați orice stropi sau pete de pe suprafețele interioare sau de pe inelul cu role cu o cârpă imbibată în puțină apă cu săpun. Clătiți și uscați.
3. Pentru a elimina orice particule și mirosuri nedorite, introduceți o ceașcă de suc de lămâie diluată în cuptor și acționați unitatea timp de zece minute.
4. Scoateți și spălați tava de sticlă atunci când este necesar.

AVERTIZARE: NU vărsați apa în orificiile de aerisire.

AVERTIZARE: NU folosiți produse abrazive sau solvenți chimici. Aveți grijă deosebită atunci când curățați garniturile ușilor pentru a vă asigura că nu se acumulează particule care împiedică închiderea ușii.

- Nu curățați aparatul pulverizând apă direct pe el.
- Nu folosiți benzină sau alcool pentru a curăța aparatul. - Poate provoca schimbarea culorii, deformare, deteriorare, șoc electric sau incendiu.

- Înainte de curățare sau întreținere, deconectați aparatul și îndepărtați reziduurile alimentare de pe ușa și partea de coacere. - În caz contrar, poate duce la șoc electric sau incendiu.
- Nu folosiți substanțe de curățare dure cu răzuitoare metalice abrazive sau ascuțite pentru a curăța ușa de sticlă a ușii cuptorului, deoarece poate zgâria suprafața și face ca sticla să se rupă.
- Nu folosiți cuptorul cu microunde pentru a usca hârtie sau haine.
- Pentru siguranța dumneavoastră, nu utilizați purificatoare de apă sub presiune sau pulverizatoare cu aburi.
- Nu curățați dispozitivul cu un aparat de curățat cu abur. - Poate provoca coroziune.

INSTRUCIUNI DE IMPAMANTARE

Înainte de a folosi cuptorul cu microunde, asigurați-vă că acesta este împământat corect. Cuptorul cu microunde are un cablu care are un fir de masă și un dop. În caz de fluctuație de tensiune, împământarea va preveni posibilele șocuri electrice. Pentru funcționarea cuptorului cu microunde, se recomandă conectarea fișei la o priză dedicată și nu la o priză comună cu alte aparate electrice.

ATENȚIE: Utilizarea prizei împământate incorect poate provoca șocuri electrice.

Note:

- Dacă aveți întrebări cu privire la împământare sau alte instrucțiuni, consultați un tehnician calificat.
- Deteriorarea sau vătămarea datorată unei conexiuni electrice necorespunzătoare nu este responsabilitatea producătorului sau a furnizorului.
- Culorile cablurilor:
 - o Verde și galben = împământare
 - o Albastru = Neutru
 - o Brown = Linie electrică

INTERFERENȚE

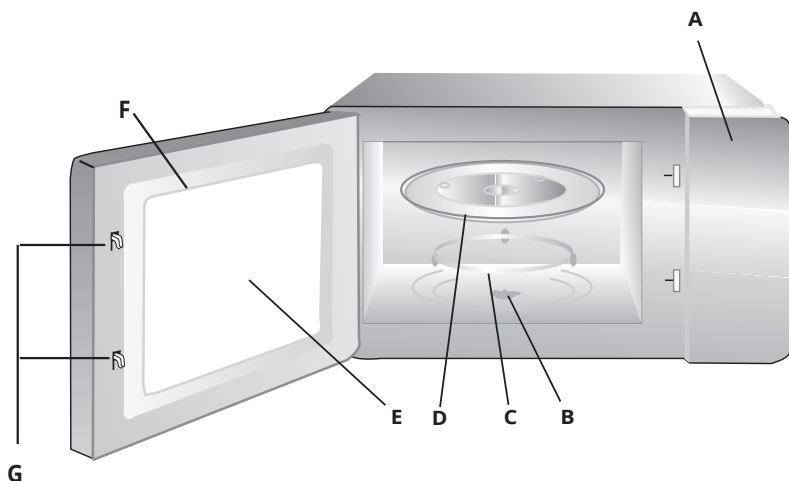
1. Funcționarea cuptorului cu microunde poate interfera cu radioul, televizorul sau alte dispozitive.
2. Interferențele pot fi reduse sau chiar eliminate prin respectarea următoarelor măsuri:
 - Curățați ușa, precum și suprafețele de izolare.
 - Relocați antena radio sau TV.
 - Mutați cuptorul cu microunde într-o altă locație.
 - Conectați cuptorul cu microunde la o altă priză.

CONFIGUREAZA CUPTORUL CU MICROUNDRE

Piese și accesorii

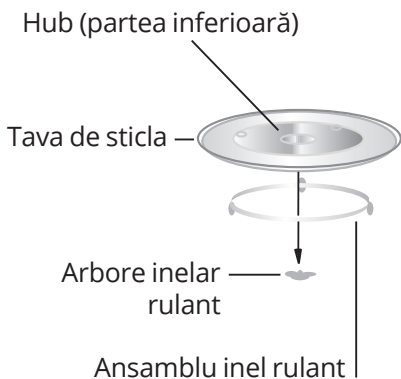
Scoateți cuptorul cu microundre și alte obiecte din ambalaj. Sunt incluse următoarele accesorii:

Tava de sticla	x1
Ansamblu cu inel rulant	x1
Manual de utilizare	x1



- A. Panou de control
- B. Arbore inelar rulant
- C. Inel rulant
- D. Tava de sticla
- E. Fereastră de sticlă (cu filmare specială)
- F. Ansamblul usii
- G. Sistem blocare de siguranță

Instalarea tavii de sticla



- Nu așezați niciodată tava de sticlă invers. Tava de sticlă nu trebuie restricționată niciodată.
- Atât tava de sticlă cât și ansamblul inelului de rulare trebuie să fie întotdeauna utilizate în timpul gătitului.
- Toate mâncarea și recipientele de mâncare sunt întotdeauna plasate pe tava de sticlă pentru gătit.
- Dacă tava de sticlă sau ansamblul cu inel de rulare se rup, contactează cel mai apropiat centru de service autorizat.

Îndepărtați toate materialele și accesoriile de ambalare.
Examinați cuptorul pentru eventuale daune, cum ar fi usa spartă.
Nu instalați dacă cuptorul este deteriorat.

Cabinet: Îndepărtați orice folie de protecție găsită pe suprafața cuptorului cu microunde.

AVERTIZARE: Capacul Mica maro deschis, care se află pe cavitatea cuptorului, nu trebuie îndepărtat niciodată. Scopul său este de a proteja magnetronul.

INSTALAREA

1. Selectați o suprafață plană care să ofere suficient spațiu deschis pentru orificiile de admisie și / sau de evacuare.

1. Înălțimea la care se instalează este de 85 cm pentru a evita posibilul contact cu copiii.

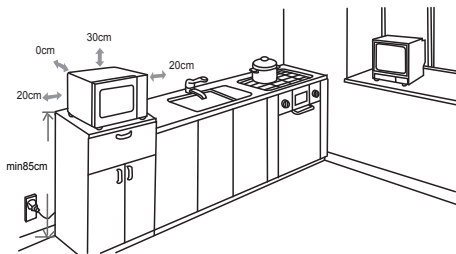
2. Suprafața posterioară a aparatului trebuie așezată pe un perete. Lăsați un spațiu minim

de 30 cm deasupra cuptorului, este necesar un spațiu minim de 20 cm între cuptor și pereții adiacenți.

3. Nu scoateți picioarele de pe fundul cuptorului.

4. Blocarea orificiilor de admisie și / sau de ieșire poate deteriora cuptorul.

5. Așezați cuptorul cât mai departe de radio și televizor. Funcționarea cuptorului cu microunde poate provoca interferențe la recepția radio sau TV.



2. Introduceți cuptorul într-o priză de uz casnic standard. Asigurați-vă că tensiunea și frecvența sunt identice cu tensiunea și frecvența de pe eticheta de aparatului.

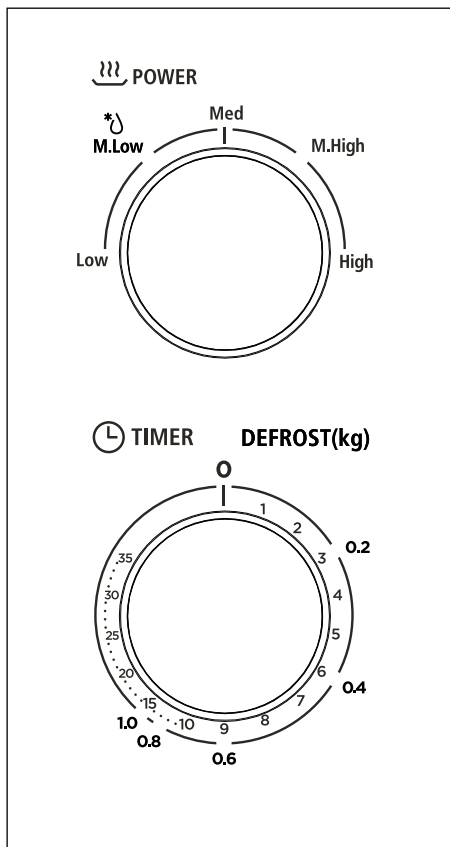
AVERTIZARE: Nu instalați cuptorul pe o placă de gătit sau un alt aparat termic. Dacă este instalat în apropierea sau peste o sursă de căldură, cuptorul ar putea fi deteriorat și garanția ar fi anulată.



Suprafața accesibilă poate fi fierbinte în timpul funcționării.

CUM FUNCTIONEAZA

Panoul de control si functiile acestuia



1. Pentru a regla puterea de gătit rotiti butonul de alimentare la nivelul dorit.
2. Pentru a seta ora de gătit rotiti butonul de cronometrare la timpul dorit.
3. Cuptorul cu microunde va începe automat să gătească după ce nivelul de putere și timpul sunt setate.
4. După ce timpul de gătit a trecut, unitatea va suna și se va opri.
5. Dacă unitatea nu este utilizată, setați întotdeauna timpul la „0”.

Funcție / Putere	Capacitate	Aplicare
Low	17% micro.	Inmoaie alimentele înghetate
M . Low (Defrost)	33% micro.	Supa, înmuiăți untul sau folosiți pentru decongelare
Med.	55% micro.	Friptura, pește
M . High	77% micro.	Orez, pește, pui, carne tocată
High	100% micro.	Reîncălziți, lapte, fierbeți apă, legume, băuturi

Observație: Când scoateți alimentele din cuptor, asigurați-vă că puterea cuptorului este oprită rotind comutatorul la poziția 0 (zero).

Nerespectarea celor menționate mai sus poate duce la supraalimentarea cuptorului cu microunde și la posibila deteriorare a magnetronului.

VERIFICĂ ÎNAINTE DE A APELA LA SERVICIILE UNUI TEHNICIAN

Dacă cuptorul cu microunde nu funcționează:

- Verificați dacă fișa este bine fixată la priza electrică. Dacă nu, deconectați, așteptați 15 secunde și reconectați.
- Verificați dacă a sarit siguranța sau întrerupătorul principal este deconectat.
- Încercați să conectați dispozitivul la o altă priză.
- Verificați dacă ați setat programarea în mod corect.
- Verificați dacă ușa este bine închisă. Dacă ușa nu este complet închisă, cuptorul cu microunde nu va funcționa.

Dacă dispozitivul încă nu funcționează, contactați un tehnician calificat. Nu încercați să reparați singur cuptorul cu microunde.



Conform directivei privind Deșeurile de Echipamente Electrice și Electronice (DEEE), DEEE ar trebui colectate și tratate separat. Dacă în viitor, trebuie să aruncați acest produs, vă rugăm să NU aruncați acest produs împreună cu deșeurile menajere. Vă rugăm să trimiteți acest produs la punctele de colectare DEEE, acolo unde sunt disponibile.

Toate imaginile din acest manual, au scop pur informativ. Forma reala a produsului pe care l-ati cumparat poate fi usor diferita insa functiile si operatiile sunt aceleasi.

Compania nu isi asuma nici o responsabilitate pentru greselile de tipar. Aspectul fizic si specificatiile tehnice se pot schimba fara o notificare prelabila datorita imbunatatirii continue a echipamentelor noastre.

Pentru mai multe detalii, va rugam sa contactati producatorul la numarul de telefon : +30 211 300 3300, sau vanzatorul echipamentului. Toate actualizarile acestui manual vor fi disponibile pe website-ul nostru si va recomandam sa verificati intotdeauna pentru aparitia unei noi versiuni.



Scanati codul QR pentru a descarca ultima versiune a manualului.
www.inventoraerconditionat.ro/biblioteca-media

Activeaza-ti garantia

Urmeaza pasii de mai jos pentru activarea garantiei:

PASUL 1

Viziteaza site-ul nostru urmand linkul:

<https://www.inventoraerconditionat.ro/certificatul-de-garantie-inventor-aer-conditionat-si-electrocasnice>

sau scaneaza cu telefonul tau codul QR de mai jos:



PASUL 2

Completeaza campurile "Detaliile cumparatorului" si "Detaliile aparatului":

Pentru a activa garantia va rugam sa completati urmatoarele campuri

Detalii cumparatorului	Detalii aparatului
<input type="text" value="Nume"/>	<input type="text" value="Tip"/>
<input type="text" value="Adresa*"/>	<input type="text" value="Numarul de Serie al aparatului*"/>

PASUL 3

Dati clic pe butonul TRIMITE, situat in partea stanga jos a formularului de completare a datelor:

Abonati la Newsletter-ul Inventor

acceptati Termenii si Conditile.

Imediat ce formularul pentru garantie a fost completat un mesaj de confirmare va fi trimis pe adresa ta de email

PASUL 4

Un email de confirmare va fi trimis la adresa de email pe care ati declarat-o. In cazul in care nu ati primit un email avem rugamintea sa verificati de asemenea si folderul Spam.

PASUL 5

Ati activat cu succes Garantia Inventor!

VORSICHTSMASSNAHMEN ZUR VERMEIDUNG DER MÖGLICHEN EINSTELLUNG VON ÜBERMÄSSIGER MIKROWELLENENERGIE

- Versuchen Sie nicht, diese Mikrowelle mit geöffneter Tür zu betreiben, da dies zu einer schädlichen Mikrowellenenergie-Exposition führen kann. Es ist wichtig, dass die Sicherheitsverregelungen nicht gebrochen oder manipuliert werden.
- Legen Sie keine Gegenstände zwischen Mikrowelle und Tür, vermeiden Sie die Bildung von Schmutz, Speisen oder Reinigungsmitteln auf den Dichtflächen des Schlosses. Betreiben Sie das Gerät nicht, wenn es beschädigt ist. Wenn die Mikrowelle nicht in Betrieb ist, muss die Tür immer geschlossen sein, um Verformungen der folgenden Teile zu vermeiden: - Tür - Scharniere und Riegel - Dicht- und Dichtflächen.
- Dieses Gerät sollte nur von qualifizierten Technikern repariert werden.
- Betreiben Sie die Mikrowelle nicht, wenn sie leer ist. Es besteht die Gefahr von Feuer und Schäden am Gerät.

Vor der Benutzung des Gerätes, lesen Sie diese Anleitung aufmerksam durch und bewahren Sie sie zum späteren Nachschlagen an einem sicheren Ort in der Nähe auf. Benutzen Sie das Gerät nur für den vorgesehenen Zweck, wie in dieser Bedienungsanleitung beschrieben ist.

Technische Spezifikationen

Modell	MWO-20LS	MWO-20LW
Stromspannung / Frequenz	220 - 240V / 50Hz	
Nenneingangsleistung (Mikrowelle)	1050W	
Nennausgangsleistung (Mikrowelle)	700 W	
Kapazität des Ofens	20L	
Durchmesser des Drehtisches	255mm	
Externe Abmessungen (LxBxH)	439.5x359x258.2mm	440x343x259mm
Nettogewicht	10.3kg	

WICHTIGE SICHERHEITSHINWEISE

Um das Risiko eines Brandes, eines elektrischen Schlages, einer Verletzung von Personen, oder Exposition gegenüber übermäßiger Mikrowellenofen-Energie, bei der Verwendung Ihres Gerätes, zu verringern, befolgen Sie die grundlegenden Vorsichtsmaßnahmen, und einschließlich der folgenden:

ACHTUNG:

1. **WARNUNG** - Dieses Gerät ist nur für den Hausgebrauch bestimmt.
2. Flüssigkeiten und andere Lebensmittel dürfen nicht in verschlossenen Behältern erhitzt werden, da sie explosionsgefährdet sind.
3. Es ist gefährlich für jeden, der keine qualifizierte Person ist, Wartungs- oder Reparaturarbeiten durchzuführen, bei denen, eine Abdeckung entfernt werden muss, die Schutz vor der Einwirkung von Mikrowellenenergie bietet.
4. Dieses Gerät kann von Kindern ab 8 Jahren und Personen mit eingeschränkten körperlichen, sensorischen oder geistigen Fähigkeiten oder mangelnder Erfahrung und Kenntnissen verwendet werden, wenn sie eine sichere Aufsicht oder Unterweisung im Bezug auf die Verwendung des Geräts erhalten haben und die damit verbundenen Gefahren verstehen. Kinder dürfen nicht mit dem Gerät spielen. Die Reinigung und Pflege des Gerätes darf nicht von Kindern ohne Aufsicht durchgeführt werden. Lassen Sie Kinder niemals mit dem Gerät spielen. Bewahren Sie das Gerät und die Schnur des Gerätes außerhalb der Reichweite von Kindern unter 8 Jahren auf.
5. Kinder sollten während der Benutzung des Gerätes beaufsichtigt werden, um sicherzustellen, dass sie nicht mit dem Gerät spielen.
6. Verwenden Sie nur mikrowellene geeignete Utensilien.
7. Der Ofen sollte regelmäßig gereinigt werden.
8. Beim Erhitzen von Lebensmitteln in Plastik- oder Papierbehältern ist wegen der Entzündungsmöglichkeit die Mikrowelle im Auge zu behalten. Die Ablagerungen sollten entfernt werden.
9. Wenn Rauch beobachtet wird, schalten Sie das Gerät aus oder

ziehen Sie den Netzstecker und halten Sie die Tür geschlossen, um die Flammen zu löschen.

10. Das Essen darf nicht zu lange kochen.
11. Verwenden Sie die Mikrowellerraum nicht zur Lagerung.
12. Entfernen Sie Kabelbinder und Metallgriffe vom Papier oder Plastikbehälter/-beutel, bevor sie in die Mikrowelle gestellt werden.
13. Installieren oder platzieren Sie diese Mikrowelle nur gemäß der mitgelieferten Installationsanleitung.
14. Schälen oder durchstechen Sie Lebensmittel mit harter Schale wie Kartoffeln, Kastanien, ganze Zucchini, Äpfel etc. vor dem Kochen oder Aufwärmen.
15. Die Eier sollten nicht in der Mikrowelle erhitzt oder gekocht werden, da sie auch nach dem Erhitzen in der Mikrowelle explodieren können.
16. Betreiben Sie das Gerät nicht, wenn es leer ist. Wenn er leer oder mit wenig oder trockenen Lebensmitteln betrieben wird, kann er Feuer oder Funken verursachen.
17. Garen Sie den Speck nicht direkt auf dem Tablett. Übermäßige lokale Hitze kann das Blech brechen.
18. Versuchen Sie nicht, Lebensmittel mit diesem Gerät zu konservieren, denn es ist unmöglich zu wissen, ob alle Materialien den Siedepunkt erreicht haben.
19. Achten Sie besonders auf das Aufwärmen der Nahrung für Neugeborene. Entfernen Sie während des Aufwärmens den Deckel der Gläser und den Flaschendeckel. Mischen Sie den Inhalt vor dem Füttern des Babys sehr gut durch, um eine homogene Temperatur zu erreichen.
20. Die Temperatur der zugänglichen Oberflächen kann während des Betriebs des Geräts hoch sein. Die Oberflächen können während des Betriebs heiß werden. Halten Sie das Kabel von der erhitzten Oberfläche fern und decken Sie keine Lüftungsöffnungen an der Mikrowelle ab.
21. Die Temperatur der zugänglichen Oberflächen kann während des Betriebs des Geräts hoch sein. Die Oberflächen können während des Betriebs heiß werden. Halten Sie das Kabel von der erhitzten Oberfläche fern und decken Sie keine Lüftungsöffnungen am Ofen ab.

22. Um ein explosionsartiges Kochen von Flüssigkeiten und mögliche Verbrennungen der Hände zu vermeiden, mischen Sie die Flüssigkeit in den Behälter, bevor Sie ihn in die Mikrowelle stellen. Wiederholen Sie diesen Vorgang während der Erwärmung und noch einmal kurz bevor Sie den Behälter aus der Mikrowelle nehmen.
23. Versuchen Sie nicht, in Fett zu braten.
24. Das Kochgeschirr kann aufgrund der Temperatur, die von heißen Speisen übertragen werden kann, erhitzt werden. Verwenden Sie deshalb ein Handtuch, um das Kochgeschirr aus der Mikrowelle zu entfernen.
25. **WARNUNG:** Niemals Wäsche oder Haustiere zum Trocknen in die Mikrowelle reinstellen.
26. Der Ofen sollte nicht in einen Schubladenschrank gestellt werden.
27. Ihr Gerät ist nicht für die Verwendung mit einem externen Timer oder einer separaten Fernbedienung vorgesehen.
28. Während der Benutzung ist das Gerät hohen Temperaturen ausgesetzt. Achten Sie darauf, das Innere des Gerätes nicht zu berühren. Kleine Kinder sollten sich fernhalten.
29. Zur Reinigung des Gerätes darf kein Dampfreiniger verwendet werden.

MIKROWELLE KOCHANLEITUNG

1. Legen Sie die Speisen vorsichtig in die Mikrowelle. Legen Sie die dünnsten Teile der Lebensmittel auf den äußeren Teil der Schale.
2. Beachten Sie die Garzeit. Garen Sie die am wenigsten benötigte Zeit und fügen Sie bei Bedarf mehr Zeit hinzu. Zu lange gekochte Lebensmittel können Rauch verursachen.
3. Decken Sie die Speisen während des Kochvorgangs mit einer speziellen mikrowellengeeigneten Abdeckung ab. Das Abdecken des Tellers verhindert das Spritzen der Speisen und unterstützt das gleichmäßige Garen.
4. Drehen Sie die Speisen während des Kochens mehr als einmal um, um bessere Ergebnisse zu erzielen
5. Unterbrechen Sie die Stromversorgung, wenn sich die Tür während des Betriebes des Gerätes öffnet.

GEBRAUCHSANWEISUNGEN

1. Das ideale Material für den Einsatz in der Mikrowelle ist transparent, so dass Mikrowellen durchgelassen werden und die Speisen erwärmen können.
2. Die Mikrowellen können das Metall nicht durchdringen, daher sollten keine Metallgeräte oder Dekorplatten in der Mikrowelle verwendet werden.
3. Das Erwärmen in Pappbechern oder auf Tellern sollte immer in sehr kurzer Zeit und immer unter Ihrer Aufsicht erfolgen.
4. Verwenden Sie keine Produkte aus wiederverwertetem Papier, wenn Sie mit Mikrowellen kochen, da diese kleine Metallstücke enthalten und Funken oder sogar Feuer verursachen können.
5. Rundes oder ovales Geschirr, insbesondere für die Verwendung in der Mikrowelle, wird nicht empfohlen, da die Seiten schneller gegart werden.
6. Verwenden Sie keine Aluminiumfolie oder andere Metallgegenstände zum Erhitzen oder Kochen von Lebensmitteln.

Die folgende Liste ist eine allgemeine Anleitung, die Ihnen bei der Auswahl des richtigen Kochgeschirrs hilft.

Kochgeschirr*	Cuisson au micro-ondes
Pyrex	JA
Keramik	JA
Plastik (nur solche, die als "Mikrowellensicher" gekennzeichnet sind)	JA
Pappbecher und Geschirr	JA
Nicht hitzebeständige Glaswaren	NEIN
Metallkochgeschirr	NEIN
Metallgrill	NEIN
Aluminiumfolie und Aluminiumverpackungen	NEIN

* Die Artikeln, die für das Kochen in der Mikrowelle zugelassen sind, sind für die Verwendung in einem Mikrowellenofen angegeben.

REINIGUNGSANLEITUNGEN

Die folgenden Teile der Mikrowelle sollten regelmäßig gereinigt werden, um die Ansammlung von Fett und Lebensmittelpartikeln zu verhindern.

- Innen- und Außenflächen
- Tur und Turdichtungen
- Drehscheibe und Rollenringe

Achten Sie immer darauf, dass die Türdichtungen sauber sind und die Tür richtig schließt. Wenn die Mikrowelle nicht in sauberem Zustand gehalten wird, kann dies zu einer Verschlechterung der Oberfläche führen, die das Gerät beeinträchtigt und möglicherweise zu einer gefährlichen Situation führen kann.

1. Reinigen Sie die Außenflächen mit einem weichen Tuch und warmem Seifenwasser. Spülen und trocknen.
2. Entfernen Sie Spritzer oder Flecken auf den Innenflächen oder auf dem Rollenring mit einem Seifentuch. Spülen und trocknen.
3. Um verhärtete Speisereste zu lösen und Gerüche zu entfernen, geben Sie eine Tasse verdünnten Zitronensaft auf den Drehteller und erhitzen Sie ihn zehn Minuten lang bei maximaler Leistung.
4. Waschen Sie die Drehscheibe bei Bedarf.

WARNUNG : Schütten Sie KEIN Wasser in die Lüftungsöffnungen.

WARNUNG: Verwenden Sie KEINE Scheuermittel oder chemische Lösungsmittel. Achten Sie bei der Reinigung der Türdichtungen besonders darauf, dass sich keine Partikel ansammeln, die das Schließen der Tür verhindern.

- Besprühen Sie es nicht mit Wasser beim Reinigen.
- Verwenden Sie kein Benzin oder Alkohol zum Reinigen des Gerätes. - Dies kann zu Farbveränderungen, Verformungen, Beschädigungen, elektrischen Schlägen oder Feuer führen.
- Ziehen Sie vor der Reinigung oder Wartung den Netzstecker und

entfernen Sie alle Speisereste von der Tür und dem Backteil. -

- Bei Nichtbeachtung besteht die Gefahr eines elektrischen Schlages oder Brandes.
- Verwenden Sie zum Reinigen der Glastür der Ofentür keine harten Reinigungsmittel mit scheuernden oder scharfen Metallschabern, da diese die Oberfläche zerkratzen und das Glas zerbrechen können.
- Verwenden Sie die Mikrowelle nicht zum Trocknen von Papier oder Kleidung.
- Verwenden Sie zu Ihrer Sicherheit keine Druckwasseraufbereiter oder Dampfsprüher.
- Reinigen Sie das Gerät nicht mit einem Dampfreiniger. - Es kann Korrosion verursachen.

ERDUNGSANWEISUNGEN

Vergewissern Sie sich vor dem Betrieb der Mikrowelle, dass diese ordnungsgemäß geerdet ist. Die Mikrowelle verfügt über ein Kabel mit einem Erdungsdraht und einem Stecker. Im Falle einer Spannungsschwankung verhindert die Erdung einen möglichen elektrischen Schlag. Für den Betrieb der Mikrowelle wird empfohlen, den Stecker an eine Steckdose anzuschließen und nicht an eine Steckdose mit anderen Elektrogeräten.

VORSICHT: Die unsachgemäße Verwendung der geerdeten Steckdose kann zu einem elektrischen Schlag führen.

Anmerkung:

- Wenn Sie Fragen zur Erdung oder zum elektrischen Anschluss haben, wenden Sie sich bitte an qualifiziertes Personal.

- Schäden oder Verletzungen durch unsachgemäßen elektrischen Anschluss liegen nicht in der Verantwortung des Herstellers oder Lieferanten.
- - Farben der Kabel:
 - o Grün und gelb = Erdung
 - o Blau = Neutral
 - o Braun = Stromleitung

INTERFERENZEN

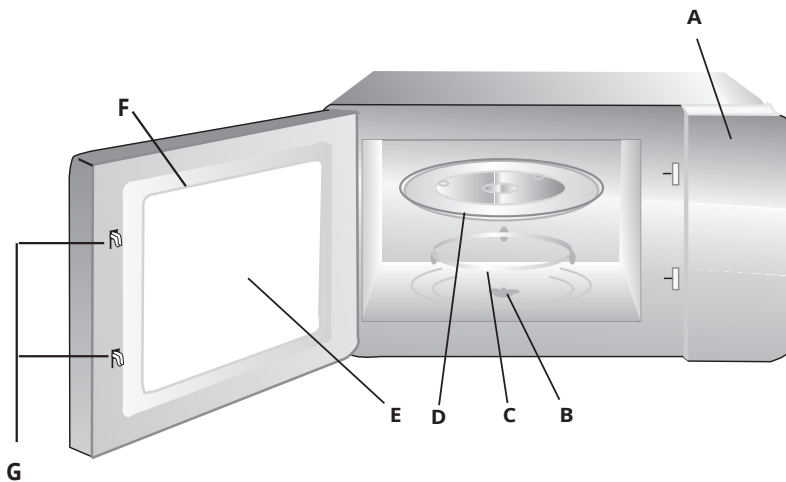
1. Der Betrieb des Mikrowellenofens kann Störungen in Ihrem Radio, Fernseher oder anderen ähnlichen Geräten verursachen.
2. Im Falle von Störungen können diese durch folgende Maßnahmen reduziert oder sogar beseitigt werden:
 - Reinigen Sie die Ofentür und die Dichtfläche.
 - Bewegen Sie die Radio- oder Fernsehantenne.
 - Stellen Sie die Mikrowelle an einen anderen Standort.
 - Schließen Sie die Mikrowelle an eine andere Steckdose an als die anderen Geräte.

AUFSTELLEN DER MIKROWELLE

Benennungen von Mikrowelle-teilen und Zubehör

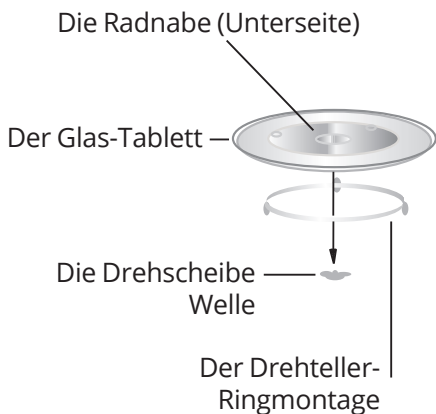
Nehmen Sie die Mikrowelle und alle Teile aus dem Karton und dem Ofenraum heraus. Ihre Mikrowelle wird mit folgendem Zubehör geliefert:

Glasplatte	x1
Drehteller-Ringmontage	x1
Bedienungsanleitung	x1



- A. Das Bedienfeld
- B. Die Drehscheibenwelle
- C. Der Drehteller-Ringmontage
- D. Die Glasplatte
- E. Das Beobachtungsfenster
- F. Die Türmontage
- G. Der Sicherheitsverriegelungssystem

Drehtisch-Installation



- Stellen Sie die Glasschale niemals auf den Kopf. Der Glasblech sollte niemals eingeschränkt werden.
- Während des Kochens müssen immer sowohl die Glasplatte als auch der Drehteller verwendet werden.
- Alle Lebensmittel und Lebensmittelbehälter werden zum Kochen immer auf das Glasblech platziert.
- Wenn die Glasplatte oder der Drehteller reißt oder bricht, wenden Sie sich an die autorisierte Kundendienststelle in Ihrer Nähe.

Entfernen Sie alle Verpackungsmaterialien und Zubehörteile. Untersuchen Sie den Mikrowellen auf Beschädigungen wie Dellen oder abgebrochene Türen. Installieren Sie das Gerät nicht, wenn es beschädigt ist.

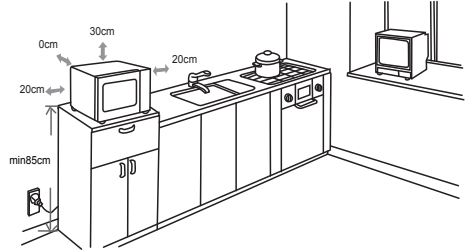
Das Kabinett : Entfernen Sie alle Schutzfolien, die sich auf der Oberfläche des Mikrowellenschrankes befinden.

WARNUNG: Entfernen Sie nicht die hellbraune Glimmerabdeckung, die zum Schutz des Magnetrons im Mikrowellerraum angebracht ist.

EINRICHTUNG

1. Wählen Sie eine ebene Fläche mit ausreichendem Freiraum für die Lüftungsöffnungen.

1. Die minimale Einbauhöhe beträgt 85cm.
2. Die Rückseite des Geräts ist an eine Wand zu stellen. Lassen Sie über der Mikrowelle einen Mindestabstand von 30 cm, zwischen dem Ofen und den angrenzenden Wänden ist ein Mindestabstand von 20 cm erforderlich.



3. Die Beine dürfen nicht vom Boden des Ofens entfernt werden.
4. Das Verstopfen der Ansaug- und/oder Ausblasöffnungen kann die Mikrowelle beschädigen.
5. Stellen Sie den Ofen so weit wie möglich von Radio und TV entfernt auf. Der Betrieb der Mikrowelle kann den Radio- oder Fernsehempfang stören.

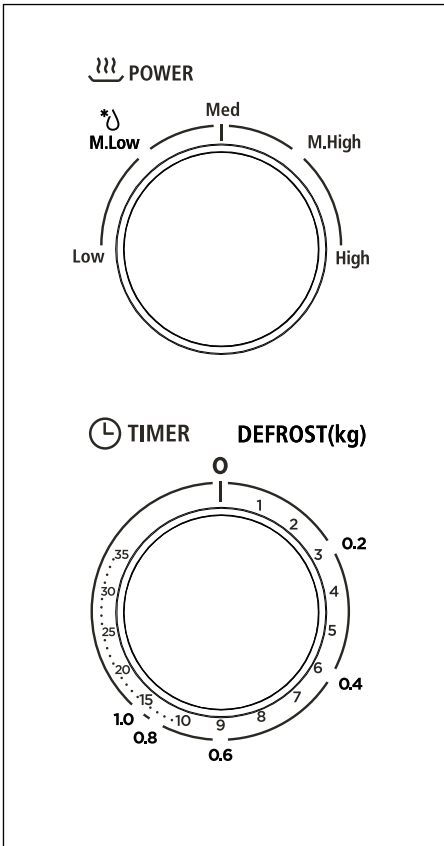
2. Schließen Sie Ihren Ofen an eine haushaltsübliche Steckdose an. Vergewissern Sie sich, dass die Spannung und die Frequenz mit der Spannung und der Frequenz auf dem Typenschild übereinstimmen.

WARNUNG: Installieren Sie die Mikrowelle nicht über einem Kochfeld oder einem anderen wärmeerzeugenden Gerät. Wenn die Mikrowelle in der Nähe oder über einer Wärmequelle installiert wird, könnte die Mikrowelle beschädigt werden und die Garantie verfällt.



Die zugängliche Oberfläche kann während des Betriebs heiß sein.

Bedienfeld und Funktionen



1. So stellen Sie die Kochleistung durch Drehen des Power-Knopfes auf die gewünschte Stufe ein.

2. Zum Einstellen der Garzeit durch Drehen des Timerknopfes auf die gewünschte Zeit gemäß Ihrer Anleitung zum Garen von Lebensmitteln.

3. Die Mikrowelle beginnt automatisch mit dem Garen, nachdem die Leistungsstufe und die Zeit eingestellt wurden.

4. Nachdem die Garzeit abgelaufen ist, wird das Gerät ein "Dong" Ton zum Stoppen machen.

5. Wenn das Gerät nicht benutzt wird, stellen Sie die Zeit immer auf "0" ein.

Funktion/Leistung	Ausgang	Anwendung
Low	17% micro.	Eis weich machen
M . Low (Defrost)	33% micro.	Suppeneintopf, Butter aufweichen oder auftauen
Med.	55% micro.	Eintopf, Fisch
M . High	77% micro.	Reis, Fisch, Huhn, Hackfleisch
High	100% micro.	Aufwärmen, Milch, kochendes Wasser, Gemüse

Hinweis: Wenn Sie Speisen aus dem Gerät entnehmen, achten Sie bitte darauf, dass das Gerät ausgeschaltet ist, indem Sie die Zeitschaltuhr auf 0 (Null) stellen. Bei Nichtbeachtung und Betrieb der Mikrowelle ohne Lebensmittel kann es zu Überhitzung und Beschädigung des Magnetrons kommen.

ÜBERPRÜFEN SIE, BEVOR SIE DEN SERVICE ANRUFEN

Wenn die Mikrowelle nicht funktioniert:

- Überprüfen Sie, ob der Stecker sicher an der Steckdose befestigt ist. Wenn er sich nicht richtig berührt, ziehen Sie den Stecker heraus. Warten Sie 15 Sekunden und stecken Sie den Stecker wieder ein.
- Prüfen Sie, ob die Sicherung abgefallen ist oder der Hauptstromkreisunterbrecher ausgeschaltet ist.
- Versuchen Sie, das Gerät in eine andere Steckdose zu stecken.
- Überprüfen Sie, ob Sie die richtige Programmierung eingestellt haben.
- Vergewissern Sie sich, dass die Tür verriegelt ist. Wenn er nicht geschlossen ist, kann keine Mikrowellenenergie in die Mikrowelle eingebracht werden und er funktioniert nicht.

Wenn das Gerät immer noch nicht funktioniert, wenden Sie sich an einen qualifizierten Techniker. Versuchen Sie nicht, die Mikrowelle selbst zu reparieren.



Gemäß der Richtlinie über die Entsorgung von Elektro- und Elektronikaltgeräten (WEEE) müssen Elektro- und Elektronikaltgeräte getrennt gesammelt und behandelt werden. Wenn Sie dieses Produkt in Zukunft entsorgen müssen, entsorgen Sie es bitte NICHT über den Hausmüll. Bitte senden Sie dieses Produkt an WEEE-Sammelstellen, sofern vorhanden.

Die Abbildungen in diesem Handbuch dienen lediglich zur Erläuterung der Funktionen.

Die tatsächliche Form der Einheit, die Sie gekauft haben, kann etwas abweichen, aber die Bedienung und Funktionen sind gleich.

Das Unternehmen übernimmt keinerlei Haftung für eventuell in diesem Dokument enthaltene falsch gedruckte Informationen.

Der Inhalt dieses Handbuchs und die technischen Daten dieses Produkts können für Verbesserungsgründe ohne Vorankündigung geändert werden.

Bitte wenden Sie sich an den Hersteller unter +30 211 300 3300 oder an die Verkaufsagentur, um weitere Informationen zu erhalten. Alle zukünftigen Aktualisierungen des Handbuchs werden auf die Service-Website hochgeladen. Es wird empfohlen, immer nach der neuesten Version zu suchen.



Scannen Sie bitte hier, um die neueste Version dieses Handbuchs herunterladen zu können.

www.inventorappliances.com/de/medienbibliothek

Aktivieren Sie Ihre Garantie

Die Garantie kann mit den folgenden Schritte aktiviert werden:

1 Schritt

Besuchen Sie unsere Webseite über den unten stehenden Link:

<http://www.inventorappliances.com/garantie>

oder durch Scannen des folgenden QR-Code:



2 Schritt

Füllen Sie alle Felder aus, wie nachfolgend dargestellt:

Um die Garantie zu aktivieren, füllen Sie bitte die folgenden Felder aus

Eigentümerangabe	Geräte Angaben
Vorname	Gerät
Adresse*	Seriennummer des Geräts*

3 Schritt

Klicken Sie an SENDEN an der linken Seite des Garantie Antrags:

E-mail*

Abonnieren Sie den Newsletter von Inventor

SENDEN Ich akzeptiere unsere Geschäftsbedingungen.

Sobald der Garantierantrag eingegangen ist, wird Ihnen eine Bestätigungsnachricht an Ihre E-Mail-Adresse gesendet

4 Schritt

Sie erhalten eine Bestätigungsnachricht an Ihre E-Mail-Adresse. Wenn dies nicht der Fall ist bitte überprüfen Sie auch den Spam-folder

5 Schritt

Ihre Inventor-Garantie ist erfolgreich aktiviert!

PRÉCAUTION À EXERCER POUR ÉVITER UNE ÉVENTUELLE EXPOSITION À L'ÉNERGIE DES MICRO-ONDES

- Ne pas tenter de faire fonctionner ce four lorsque la porte est ouverte; le fonctionnement du four lorsque la porte est ouverte peut soumettre toute personne présente à une exposition à l'énergie des micro-ondes. Il est important de ne pas circonvenir ou entraver le fonctionnement des dispositifs d'interverrouillage de sécurité.
- Ne placer aucun objet entre la face avant du four et la porte, et veiller à ne pas laisser de souillures ou résidus de produits de nettoyage s'accumuler sur les surfaces de contact. Ne pas faire fonctionner le four s'il est endommagé. Lorsque le four est inutilisé veiller à ce que la porte soit toujours fermée pour éviter toute déformation des pièces suivantes : - Porte - Charnières et loquets (brisés ou desserrés), Joints de la porte et des surfaces de contact.
- Seul un technicien qualifié est habilité à effectuer des réglages ou réparations sur cet appareil.
- Ne faites pas fonctionner le four à micro-ondes lorsqu'il est vide. Il y a un risque d'incendie et de dommages à l'appareil.

Avant d'utiliser l'appareil, lisez attentivement ce manuel et conservez-le dans un endroit sûr à proximité pour référence future. Utilisez cet appareil uniquement pour son utilisation prévue, telle que décrite dans ce manuel d'utilisation.

Spécifications

Modèle	MWO-20LS	MWO-20LW
Alimentation	220 - 240V / 50Hz	
Puissance assignée Micro-ondes	1050W	
Puissance restituée Micro-ondes	700 W	
Capacité	20L	
Diamètre plateau tournant	255mm	
Dimensions extérieures (LxHxP)	439.5x359x258.2mm	440x343x259mm
Poids net	10.3kg	

PRECAUTIONS DE SECURITE

Pour réduire les risques de brûlure, de choc électrique, d'incendie, de blessure ou d'exposition excessive aux micro-ondes lisez la totalité des instructions avant d'utiliser le four:

MISE EN GARDE:

1. AVERTISSEMENT - Cet appareil est destiné à un usage domestique uniquement.
2. Les liquides ou autres aliments ne doivent pas être chauffés dans des récipients hermétiques car ils risquent d'exploser.
3. Il est dangereux pour quiconque autre qu'une personne compétente d'effectuer des opérations de maintenance ou de réparation entraînant le retrait d'un couvercle qui protège de l'exposition à l'énergie micro-ondes.
4. Cet appareil peut être utilisé par des enfants de plus de 8 ans et par les personnes dont les capacités physiques, sensorielles ou mentales sont réduites, ou des personnes dénuées d'expérience ou de connaissance, si elles ont pu bénéficier, par l'intermédiaire d'une personne responsable de leur sécurité, d'une surveillance ou d'instructions préalables concernant l'utilisation de l'appareil. Ne laissez jamais un enfant jouer avec l'appareil. Gardez le fer et le cordon hors de portée des enfants de moins de 8 ans.
5. Les enfants doivent être surveillés lorsqu'ils utilisent l'appareil pour sécuriser qu'ils ne jouent pas avec le.
6. Vérifier que les ustensiles sont appropriés à l'usage dans un four à micro-ondes
7. Il est recommandé de nettoyer le four régulièrement
8. Lorsque des aliments sont chauffés dans des récipients en matière plastique ou en papier, surveiller le four fréquemment à cause des risques d'inflammation
9. Si de la fumée est émise, arrêter ou débrancher le four et garder la porte fermée pour étouffer les flammes éventuelles.
10. Ne laissez pas trop longtemps les aliments nécessitant peu de temps de cuisson, ils seront soit trop cuits, soit brûlés.
11. Ne pas utiliser la cavité du four à des fins de rangement.

12. Enlever les attaches tournantes et les poignées métalliques du papier ou des contenants/sacs en plastique avant de les mettre au four.
13. Installez ou placez ce four uniquement conformément aux instructions d'installation fournies.
14. Percer avec une fourchette la pelure des pommes de terre, pommes et tout autre fruit ou légume recouvert d'une pelure, avant de les cuire.
15. Les œufs dans leur coquille et les œufs durs entiers ne doivent pas être chauffés dans un four à micro-ondes car ils risquent d'exploser, même après la fin de cuisson.
16. N'utiliser pas le four à micro-ondes à vide. Tout fonctionnement du four sans aliment à l'intérieur ou avec des aliments à très faible taux d'humidité peut déclencher un feu, la carbonisation ou des étincelles à l'intérieur du four.
17. Ne pas cuire le bacon directement sur le plateau. Chaleur excessive peut casser le plateau tournant.
18. N'essayez pas de conserver des aliments à l'aide de cet appareil car il est impossible de savoir si tous les matériaux ont atteint le point d'ébullition.
19. Portez une attention particulière au réchauffement de la nourriture pour les bébés. Enlevez le couvercle des pots et le couvercle des bouteilles pendant le réchauffement. Avant de nourrir le bébé, mélangez bien le contenu pour atteindre une température homogène.
20. La température des surfaces accessibles peut être élevée lorsque l'appareil fonctionne. Les surfaces sont susceptibles de devenir chaudes pendant l'utilisation. Tenez le cordon loin de la surface chauffée et faites ne pas couvrir les orifices de ventilation du four.
21. Pour éviter l'ébullition explosive des liquides et la combustion possible de vos mains, mélangez le liquide dans le récipient avant de le placer dans le four. Répétez l'opération pendant le chauffage et peu avant en retirant le récipient du micro-ondes.
22. Ne pas faire de friture dans votre four.
23. Les pièces accessibles deviennent très chaudes durant l'utilisation.

Prenez garde à ne pas toucher les éléments chauffants. Pour cette raison, utilisez une serviette pour retirer les ustensiles de cuisine du micro-ondes.

24. Ne mettez jamais de vêtements ou d'animaux au four pour les faire sécher.
25. Le four ne doit pas être placé dans un placard.
26. Votre appareil n'est pas conçu pour être utilisé avec une minuterie externe ou un système de télécommande.
27. Pendant l'utilisation, l'appareil est exposé à des températures élevées. Veillez à ne pas toucher l'intérieur du four. Eloignez les enfants.
28. Aucun nettoyeur à vapeur ne doit être utilisé pour nettoyer l'appareil.

CONSEILS DE CUISSON AUX MICRO-ONDES

1. Placez soigneusement les aliments dans le four. Placez les parties les plus minces des aliments sur la partie extérieure du plat.
2. Respectez le temps de cuisson. Cuire le moins de temps possible et, si nécessaire, ajouter du temps supplémentaire. Les aliments trop cuits peuvent causer de la fumée.
3. Couvrez les aliments pendant la cuisson avec un couvercle spécial adapté à l'utilisation du four à micro-ondes. Le fait de couvrir la plaque empêche les éclaboussures d'aliments et favorise une cuisson uniforme.
4. Retournez les aliments plus d'une fois pendant la cuisson pour obtenir de meilleurs résultats.
5. Débranchez l'alimentation électrique si la porte s'ouvre pendant le fonctionnement du four

INSTRUCTIONS UTILES

1. Le matériau idéal pour une utilisation dans un four à micro-ondes est transparent, ce qui permet aux micro-ondes de passer au travers et de chauffer les aliments.
2. Les micro-ondes ne peuvent pas pénétrer le métal, donc les appareils métalliques ou les plaques décoratives ne doivent pas être utilisés dans le four.
3. Le chauffage dans des gobelets en papier ou sur des assiettes doit toujours être fait en très peu de temps et toujours sous votre supervision.
4. N'utilisez pas de produits en papier recyclé lorsque vous cuisinez au micro-ondes car ils peuvent contenir de petits morceaux de métal et provoquer des étincelles ou même un incendie.
5. Il est recommandé d'utiliser des plats ronds ou ovales, surtout pour le four à micro-ondes, car les bords ont tendance à cuire plus rapidement.
6. Ne pas utiliser de papier d'aluminium ou d'autres ustensiles métalliques pour chauffer ou cuire les aliments

La liste suivante est un guide général pour vous aider à choisir la bonne batterie de cuisine.

Ustensiles*	Cuisson aux micro-ondes
Verre et vitrocéramique résistant à la chaleur	OUI
Céramique	OUI
Plastiques (uniquement ceux étiquetés "Adapté aux micro-ondes ")	OUI
Tasses et plats en papier	OUI
Verrerie non résistante à la chaleur	NON
Métal	NON
Grille métallique	NON
Feuilles d'aluminium et emballages en aluminium	NON

* Les articles qui sont autorisés pour la cuisson au micro-ondes sont indiqués pour une utilisation dans un four à micro-ondes.

ENTRETIEN

Les parties suivantes du four à micro-ondes devraient être nettoyées régulièrement pour éviter l'accumulation de graisse et de particules d'aliments.

- Surfaces intérieures et extérieures
- Porte et joints de la porte
- Plateau tournant et anneaux à rouleaux

Assurez-vous toujours que les joints de la porte sont propres et que la porte se ferme correctement. Le fait de ne pas maintenir le four dans un état propre peut entraîner une détérioration de la surface qui pourrait nuire à l'appareil et éventuellement créer une situation dangereuse.

1. Nettoyez les surfaces extérieures avec un chiffon doux et de l'eau chaude savonneuse. Rincer et sécher.
2. Les éclaboussures sur la face intérieure de la porte, ainsi que sur les joints de porte et les parties adjacentes doivent être nettoyées quotidiennement avec de l'eau chaude savonneuse. Rincer et sécher avec soin.
3. Pour détacher les particules d'aliments durcies et éliminer les odeurs, déposez une tasse de jus de citron dilué sur le plateau tournant et faites chauffer pendant dix minutes à puissance maximale.
4. Lavez la plaque tournante chaque fois que cela est nécessaire.

MISE EN GARDE : Ne pas renverser d'eau dans les événements.

MISE EN GARDE: Ne pas utiliser de produits abrasifs ou chimiques solvants. Faites particulièrement attention lorsque vous nettoyez les joints de porte pour s'assurer qu'aucune particule ne s'accumule, empêchant la porte de fermer.

- Ne pas nettoyer l'appareil en pulvérisant de l'eau directement sur celui-ci.
- N'utilisez pas d'essence ou d'alcool pour nettoyer l'appareil. - Cela

pourrait causer un changement de couleur, une déformation, des dommages, un choc électrique ou un incendie.

- Avant de procéder au nettoyage ou à l'entretien, débranchez l'appareil et retirez tout résidu d'aliments de la porte et de la partie cuisson.
- Non-respecter de cette consigne peut entraîner un choc électrique ou un incendie.
- N'utilisez pas de nettoyeurs durs avec des grattoirs métalliques abrasifs ou tranchants pour nettoyer la vitre de la porte du four, car cela pourrait rayer la surface et provoquer le bris de la vitre.
- N'utilisez pas de nettoyeurs durs avec des grattoirs métalliques abrasifs ou tranchants pour nettoyer la vitre de la porte du four, car cela pourrait rayer la surface et provoquer le bris de la vitre.
- N'utilisez pas le micro-ondes pour sécher du papier ou des vêtements.
- Pour votre sécurité, n'utilisez pas de purificateurs d'eau sous pression ou de vaporisateurs à vapeur.
- N'utilisez pas d'appareil de nettoyage à la vapeur. - Il peut causer de la corrosion.

MISE A LA TERRE

Avant d'utiliser le micro-ondes, assurez-vous qu'il est correctement mis à la terre. Ce four à micro-ondes est équipé d'un câble qui a un fil de terre et une fiche. En cas de fluctuation de tension, la mise à la terre permet d'éviter tout risque de choc électrique. Pour le fonctionnement du four à micro-ondes, il est recommandé de brancher la fiche à une prise de courant et non à une prise de courant avec d'autres appareils électriques.

ATTENTION: Une mauvaise utilisation de la prise de terre peut entraîner le risque de choc électrique.

Notes:

- En cas de questions concernant la prise de terre ou le branchement électrique, veuillez consulter un personnel qualifié.
- Les dommages ou blessures dus à un mauvais raccordement électrique ne relèvent pas de la responsabilité du fabricant ou du fournisseur.
- Couleurs des câbles :
 - o Vert et Jaune = Terre
 - o Bleu = neutre
 - o Marron = Ligne électrique

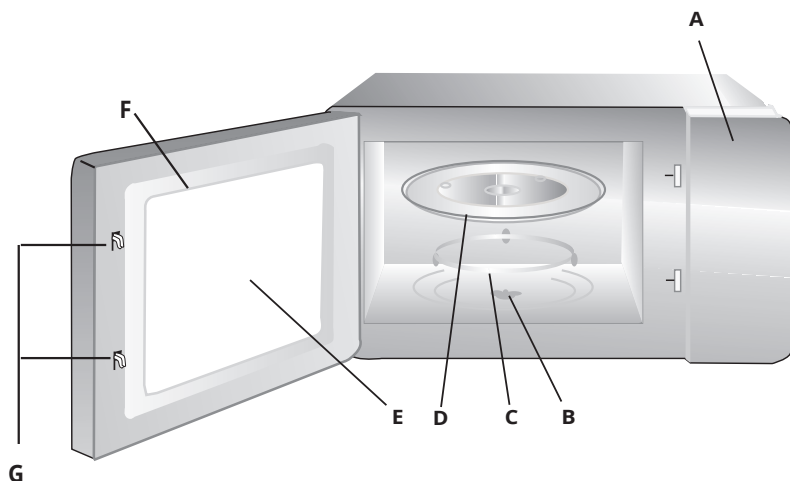
INTERFÉRENCES

1. Le fonctionnement du four à micro-ondes peut provoquer des interférences avec votre radio, votre téléviseur ou tout autre équipement similaire.
2. Pour réduire ou supprimer les interférences éventuelles, prenez les mesures suivantes:
 - Nettoyez la porte et la surface d'étanchéité du four.
 - Réorientez l'antenne réceptrice de la radio ou du téléviseur.
 - Déplacez le four à micro-ondes par rapport au récepteur.
 - Branchez le four à micro-ondes sur une autre prise pour que le four à micro-ondes et le récepteur utilisent des circuits différents.

INSTALLATION DE VOTRE FOUR A ONDES

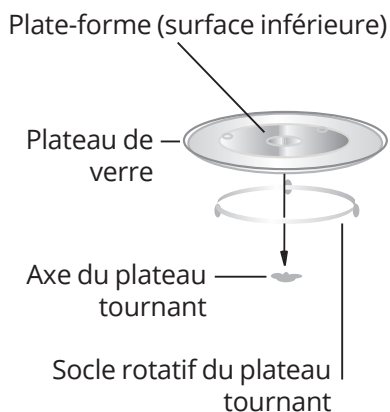
Retirez tous les emballages et les accessoires. Votre four est livré avec les accessoires suivants:

Plateau en verre	x1
Assemblage d'anneau de plateau tournant	x1
Mode d'emploi	x1



- A. Thermostat et minuterie
- B. Fixation pour plateau tournant
- C. Anneau de plateau
- D. Plateau de verre
- E. Vitre d'observation
- F. Porte
- G. Fermeture sécurisée de la porte

Installation du plateau tournante



- Ne placez jamais le plateau en verre à l'envers. Il ne doit jamais être encombré.
- Vous devez toujours utiliser le plateau en verre et l'anneau du plateau tournant pendant la cuisson.
- Placez toujours les aliments et les récipients sur le plateau en verre pour la cuisson.
- Si le plateau en verre ou l'anneau du plateau tournant est fêlé ou cassé, veuillez contacter le SAV du vendeur.

Retirez tous les emballages et les accessoires. Inspectez le four afin de repérer tout dommage, tel que des déformations ou une porte cassée. N'installez pas l'appareil s'il est endommagé.

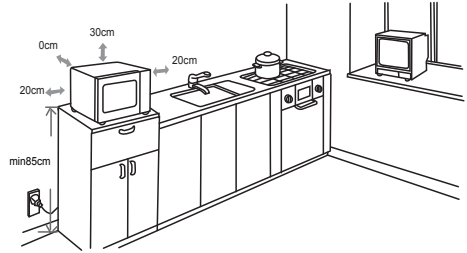
Retirez le film de protection situé sur le capot.

MISE EN GARDE: Ne retirez pas le couvercle en Mica brun clair qui est fixé à la cavité du four pour protéger le magnétron

INSTALLATION

1. Choisissez une surface plane donnant un espace libre suffisant pour les ouvertures d'aérations

1. La hauteur minimale d'installation est de 85 cm.
2. La surface arrière de l'appareil doit être placée contre un mur. Laissez un espace libre d'au moins 30 cm au-dessus du four, un espace libre d'au moins 20 cm est requis entre le four et tout mur adjacent.



3. Ne pas retirer les pattes du fond du four.
4. Le fait de bloquer les ouvertures d'entrée et/ou de sortie peut endommager le four.
5. Placez le four aussi loin que possible des radios et de la télévision. Le fonctionnement du four à micro-ondes peut causer des interférences avec la réception de la radio ou de la télévision.

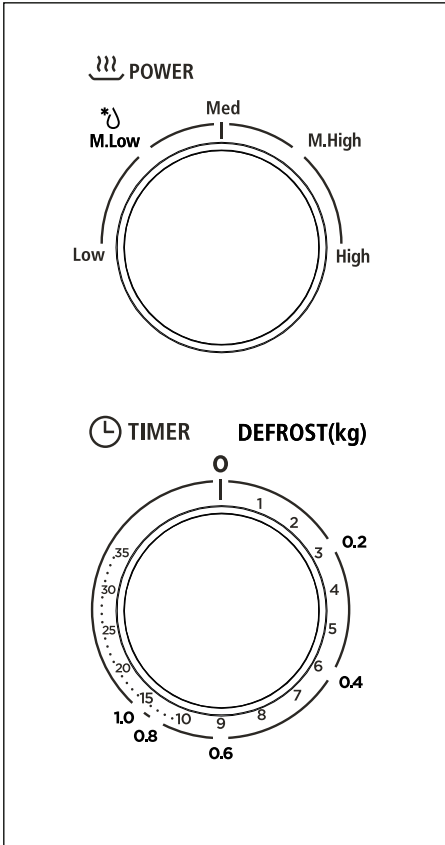
2. Branchez votre four dans une prise de courant standard. Assurez-vous que la tension et la fréquence sont les mêmes que celles indiquées sur l'étiquette du four.

MISE EN GARDE: N'installez pas votre four sur une table de cuisson ou un appareil produisant de la chaleur. Votre four risque d'être endommagé et la garantie ne s'applique pas dans ce cas.



La surface accessible peut être chaude pendant le fonctionnement.

UTILISATION



1. Pour régler la puissance de cuisson, tournez le bouton de puissance au niveau souhaité.
2. Pour régler le temps de cuisson, tournez le bouton de la minuterie au temps désiré selon votre guide de cuisson des aliments.
3. Le four à micro-ondes démarre automatiquement la cuisson une fois que le niveau de puissance et le temps sont réglés.
4. Une fois le temps de cuisson écoulé, l'appareil sonne et s'arrête.
5. Si l'appareil n'est pas utilisé, réglez toujours le temps sur "0".

Fonction/Power	Sortie	Application
Low	17% micro.	Crème glacée molle
M . Low (Defrost)	33% micro.	Ragoût de soupe, ramollir le beurre ou décongeler
Med.	55% micro.	Ragoût, poisson
M. High	77% micro.	Riz, poisson, poulet, viande hachée
High	100% micro.	Réchauffer, lait, eau bouillante, légumes, boisson

Avis: Lorsque vous sortez des aliments du four, assurez-vous que le four est éteint en mettant le minuteur sur 0 (zéro). Si vous ne le faites pas et que vous faites fonctionner le four à micro-ondes sans aliments, vous risquez de surchauffer et d'endommager le magnétron.

AVANT DE FAIRE APPEL À UN CENTRE DE SERVICE

- Vérifier que le four est correctement raccordé au circuit électrique du domicile. S'il ne touche pas correctement, débranchez-le. Attendez 15 secondes et rebranchez-le.
- Vérifier qu'un fusible n'est pas grillé ou que le disjoncteur ne s'est pas déclenché.
- Essayez de brancher l'appareil dans une autre prise.
- Vérifier que les commandes sont correctement réglées.
- Vérifiez que la porte est bien fermée. Si elle n'est pas fermée, l'énergie du micro-ondes ne peut pas être introduite dans le four et cela ne fonctionnera pas.

Si l'appareil ne fonctionne toujours pas, contactez un technicien qualifié. N'essayez pas de réparer le micro-ondes vous-même.



Conformément à la directive sur les déchets d'équipements électriques et électroniques (DEEE), les DEEE doivent être collectés et traités séparément. Si, à l'avenir, vous devez vous débarrasser de ce produit, veuillez ne PAS le jeter avec les ordures ménagères. Veuillez envoyer ce produit aux points de collecte des DEEE, le cas échéant.

Toutes les images du manuel sont uniquement à des fins explicatives. La forme réelle de l'appareil que vous avez acheté peut-être légèrement différente, mais les fonctions sont identiques.

La société ne peut être tenue responsable des informations mal imprimées. La conception et les spécifications du produit pour des raisons telles que l'amélioration du produit sont sujettes à modification sans préavis.

Pour plus de détails veuillez vous adresser au fabricant au numéro de téléphone +30 211 300 3300 ou à l'agence commerciale. Toute mise à jour future du manuel sera téléchargée sur notre site Web. Il est conseillé de toujours vérifier la version la plus récente.



Veuillez scanner ici pour télécharger la dernière version de ce manuel.

www.inventorappliances.com/fr/manuels

Activez votre Garantie

Veillez suivre les étapes suivantes afin d'activer votre garantie:

ETAPE 1

Visitez notre site web via le lien:

<https://www.inventorappliances.com/fr/carte-de-garantie-de-2-ans>

ou en scannant le code QR comme suit:



ETAPE 2

Veillez remplir tous les champs obligatoires conformément aux "Détails du propriétaire" et les "Détails de l'unité":

Pour activer la carte de garantie, veuillez remplir les champs suivants

Dé Détails du Propriétaire	Dét Détails de l'Appareil
No	Typ
Adresse*	Numéro de série de l'appareil*

ETAPE 3

Cliquez sur ENVOYER, en bas à gauche du formulaire de soumission:

Adresse électronique*

Abonnez-vous à notre Newsletter Inventor

Envoyez-moi la carte de garantie vous acceptez les termes et conditions.

Une fois la soumission de la garantie complétée, un message de confirmation sera envoyé à votre email

ENVOYER

ETAPE 4

Un message de confirmation sera envoyé à l'email fourni. Si vous ne le recevez pas, veuillez vérifier également votre boîte Spam

ETAPE 5

Vous avez activé avec succès votre Garantie Inventor!

PRECAUZIONI PER PREVENIRE POSSIBILI ESPOSIZIONI ECCESSIVE ALL'ENERGIA DELLE MICROONDE

- Non tentare di utilizzare mai il forno quando lo sportello è aperto, in quanto ciò potrebbe causare una pericolosa esposizione all'energia a microonde. È importante non rompere, forzare o manomettere/chiusure di sicurezza.
- Non posizionare alcun oggetto tra lo sportello e la parte frontale del forno né permettere che residui di cibo o di prodotti per la pulizia si accumulino sulle superfici delle guarnizioni. Se il forno è danneggiato, non utilizzarlo. È molto importante che lo sportello del forno si chiuda correttamente e che non ci siano difetti nella porta, nelle cerniere o nelle guarnizioni della porta.
- Questo forno può essere riparato solo da personale qualificato del produttore.
- Non utilizzare il forno quando è vuoto. Esiste il rischio di incendio e di danni all'apparecchio.

Leggere attentamente le seguenti istruzioni prima di utilizzare l'apparecchio e conservarle per riferimenti futuri. Utilizzare l'apparecchio solo per lo scopo previsto, come descritto in questo manuale d'uso.

Specifiche tecniche

Modello	MWO-20LS	MWO-20LW
Tensione nominale	220 - 240V / 50Hz	
Potenza nominale in ingresso (Microonde)	1050W	
Potenza nominale in uscita (Microonde)	700 W	
Capacità del forno	20L	
Diametro del piatto rotante	255mm	
Dimensioni esterne (LxPxA)	439.5x359x258.2mm	440x343x259mm
Peso Netto	10.3kg	

ISTRUZIONI PER LA SICUREZZA E AVVERTENZE

Onde ridurre il rischio di incendi, scosse elettriche, lesioni personali o esposizione eccessiva all'energia a microonde quando si utilizza l'apparecchio, seguire le precauzioni di sicurezza basilari, tra cui

AVVERTENZE.

1. **AVVERTENZA** - Questo dispositivo è destinato esclusivamente all'uso domestico.
2. Liquidi o altri alimenti non devono essere riscaldati in contenitori sigillati in quanto essi potrebbero esplodere di esplosione.
3. Le operazioni di manutenzione o riparazione che prevedono la rimozione delle coperture esterne di protezione contro l'esposizione alle microonde devono essere svolte soltanto da tecnici qualificati.
4. Questo apparecchio non è destinato all'uso da parte di bambini di età inferiore agli 8 anni e persone con ridotte capacità fisiche, sensoriali o mentali o con scarsa esperienza o conoscenza, a meno che non vengano sottoposti a supervisione e istruzioni sull'uso dell'unità da una persona responsabile della loro sicurezza. Tenere il forno e la corda fuori dalla portata dei bambini al di sotto degli 8 anni.
5. È importante garantire una adeguata supervisione ai bambini e non lasciarli mai giocare con l'apparecchio
6. Utilizzare solo utensili adatti all'uso nei forni a microonde.
7. Pulire il forno con regolarità e rimuovere possibili residui di cibo.
8. Quando si riscaldano alimenti in contenitori di plastica o di carta, tenere sotto controllo il forno al fine di evitare possibili incendi.
9. In presenza di fumo, spegnere o staccare la spina dell'apparecchio tenendo la porta chiusa in modo tale da soffocare le fiamme qualora fossero presenti.
10. Non cuocere troppo a lungo gli alimenti.
11. Non utilizzare il forno a microonde per conservare i prodotti. Non conservare all'interno alimenti come il pane, biscotti etc.
12. Rimuovere le strisce di sigillatura e i maniglie in metallo dai contenitori di carta o di plastica o dai sacchetti prima di metterli nel forno.
13. Installare o posizionare questo forno secondo le istruzioni di

installazione fornite.

14. Gli alimenti con buccia o pelle, come mele, pomodori, patate e salsicce, non devono essere sottoposti a microonde perché la buccia potrebbe scoppiare o esplodere. Prima di riscaldarli, bucherare o incidere la buccia o la pelle.
15. Non utilizzare il forno a microonde per riscaldare uova con il guscio o uova sode intere, in quanto soggette a esplosioni anche dopo la conclusione del processo di riscaldamento.
16. Non attivare la funzione microonde se il forno è vuoto. Se è vuoto oppure con poco o senza cibo il suo utilizzo potrebbe causare incendi o scintille.
17. Non cucinare la pancetta direttamente sul piatto in vetro rotante. Il calore eccessivo che si creerà potrebbe causare la rottura del piatto in questione.
18. Non tentare di conservare gli alimenti all'interno di questo dispositivo poiché è impossibile sapere se tutti i loro componenti interni abbiano raggiunto il punto di ebollizione.
19. Prestare particolare attenzione quando si riscaldano liquidi e alimenti per bambini con il microonde. Rimuovere sempre il coperchio dal contenitore o la tettarella del biberon. Mescolare e agitare bene il contenuto dopo il riscaldamento per ottenere una temperatura uniforme evitando scottature.
20. La temperatura delle superfici accessibili possono raggiungere temperature elevate quando l'apparecchio è in funzione e possono diventare piuttosto calde durante l'uso. Tenere il cavo lontano dalla superficie calda e non coprire le prese di ventilazione in uscita e in entrata del forno.
21. Durante il riscaldamento di liquidi (acqua, caffè, latte, ecc.) è possibile che, per effetto dell'ebollizione ritardata, il contenuto inizi improvvisamente a bollire traboccando violentemente, provocando ustioni o scottature. Per evitare ciò, mescolare il liquido nel contenitore prima di metterlo nel forno, ripetere durante il riscaldamento provando nuovamente e poco prima di togliere il contenitore dal forno a microonde.
22. Non tentare di friggere utilizzando olio da cucina. Pericolo di incendio.

23. I recipienti di cottura possono diventare troppo caldi a causa della temperatura che il cibo possa raggiungere. Utilizzare una pinza o guanti adatti per rimuovere contenitori e accessori, cercando di non toccare gli elementi riscaldanti.
24. **ATTENZIONE:** Non utilizzare mai il forno a microonde per asciugare tessuti, carta, spezie, erbe aromatiche, legno, fiori, frutta o altri materiali combustibili o animali domestici.
25. Questo apparecchio non è stato concepito per essere utilizzato all'interno di un mobile o incassato,
26. L'unità non è progettata per essere utilizzata con un timer esterno o con un telecomando.
27. Durante l'uso, il dispositivo è esposto ad alte temperature. Non toccare le pareti all'interno del forno. I bambini piccoli devono essere tenuti lontani.
28. Non utilizzare dispositivi di pulizia a vapore

ISTRUZIONI PER LA COTTURA AL MICROONDE

1. Inserire con cura il cibo nel forno a microonde. Posizionare la parte più sottile del cibo all'esterno del piatto rotondo.
2. Controllare sempre il tempo di cottura. Cuocere impostando il tempo minimo necessario. Aggiungere più tempo di cottura dal pannello qualora fosse necessario. I cibi troppo cotti possono causare fumo.
3. Coprire i cibi durante la cottura con un apposito coperchio adatto per l'utilizzo nei forni a microonde. Coprire il contenitore o il piatto impedisce spruzzi di cibo e aiuta a riscaldare o a cucinare in modo uniforme.
4. Mescolare il cibo per più di una volta durante la cottura al fine di migliorare il risultato finale.
5. Scollegare immediatamente il cavo di alimentazione qualora la porta si aprisse mentre il forno a microonde è ancora in funzione.

ISTRUZIONI UTILI PER L'USO

1. Il materiale ideale per l'uso in un forno a microonde dovrebbe essere trasparente permettendo alle microonde di attraversare riscaldano il cibo.
2. Le microonde non possono penetrare il metallo, quindi gli apparecchi o contenitori in metallo o piatti decorativi non devono essere utilizzati nel forno a microonde.
3. Il riscaldamento in bicchieri di carta o su piatti di carta dovrebbe essere sempre fatto entro un breve periodo di tempo e tenuto sempre sotto controllo.
4. Non utilizzare prodotti di carta riciclata quando si cucina con il forno a microonde, in quanto possono contenere piccoli frammenti di metallo causando scintille e/o incendi.
5. Si consiglia di utilizzare piatti rotondi o ovali con il forno a microonde perché il cibo negli angoli tende a cuocere più velocemente.
6. Non utilizzare fogli di alluminio o altri utensili metallici per riscaldare o cucinare il cibo.

Di seguito, è riportato una tabella sintetica per aiutarvi a scegliere gli utensili da cucina adatti.

Utensili*	Adatto per l'uso in microonde
Pyrex	SI
Terracotta	SI
Plastica Solo del tipo adatto al forno a microonde. Seguire le istruzioni del produttore. Devono essere etichettati "Sicuri per Microonde" (Microwave Safe)	SI
Carta o cartone	SI
Articoli in vetro non resistenti al calore	NO
Contenitori metallici	NO
Griglie in metallo	NO
Foglio di alluminio, teglie o vaschette di alluminio	NO

* Gli utensili che possono essere utilizzati con un forno a microonde hanno l'indicazione appropriata.

ISTRUZIONI PER LA PULIZIA

Le seguenti parti del forno a microonde devono essere pulite regolarmente per evitare l'accumulo di grassi e residui di cibo:

- Le superfici interne ed esterne.
- La porta con le sue guarnizioni
- L'anello di supporto e il piatto in vetro

Assicurarsi di pulire sempre le guarnizioni della porta e che la porta si chiuda correttamente. La mancata pulizia del forno può causare il deterioramento dell'unità e può compromettere il corretto funzionamento dell'apparecchio, portando anche ad una situazione di pericolo.

1. Pulire le superfici esterne con un panno morbido e inumidito con acqua calda saponata. Sciacquare e asciugare con un panno asciutto.
2. Rimuovere eventuali schizzi o macchie sulle superfici interne o sul piatto in vetro con panno morbido e inumidito con acqua calda saponata. Sciacquare e asciugare con un panno asciutto.
3. Per rimuovere le particelle di cibo più grandi o indurite e gli odori, aggiungere qualche goccia di limone in una tazza d'acqua posizionandola sul piatto girevole. Riscaldare per 10 minuti a piena potenza.
4. Lavare il piatto in vetro quando è necessario.

ATTENZIONE: NON versare acqua nelle aperture di ventilazione.

ATTENZIONE: NON utilizzare prodotti abrasivi o solventi chimici. Prestare particolare attenzione durante la pulizia delle guarnizioni della porta assicurandosi che non si siano accumulate particelle o residui di cibo che potrebbero impedire la chiusura della porta.

- Non versare né spruzzare acqua direttamente al microonde per pulirlo.

- Non usare benzina o alcool per pulire l'apparecchio. Potrebbe causare cambiamenti di colore, deformazioni, danni, scosse elettriche o incendi.
- Prima della pulizia o della manutenzione, staccare la spina dell'apparecchio e rimuovere eventuali residui di cibo dalla porta e dalla zona di cottura. In caso contrario, potrebbero verificarsi scosse elettriche o incendi.
- Per pulire il vetro dello sportello del forno non utilizzare detergenti abrasivi o raschietti metallici appuntiti, in quanto potrebbero graffiare la superficie e causare la rottura del vetro.
- Non usare il microonde per asciugare qualsiasi tipo di carta o vestiti.
- Per la vostra sicurezza, non utilizzate pulitori ad acqua o a vapore o spray a vapore.
- Non pulire l'apparecchio con un pulitore a vapore. Potrebbe causare corrosione.

ISTRUZIONI RELATIVE ALLA MESSA A TERRA

Prima di utilizzare il forno a microonde, assicurarsi che sia correttamente messo a terra. Questo dispositivo è dotato di un cavo che ha un messa a terra con una spina di messa a terra per proteggere dal rischio di folgorazione. In presenza di fluttuazione di tensione o di corto circuito, la messa a terra eviterà possibili scosse elettriche. Quando si utilizza il forno a microonde, si raccomanda di collegare la spina ad una presa di corrente e non ad una presa multipla con altri apparecchi elettrici.

ATTENZIONE: L'uso improprio della spina di messa a terra può provocare una scossa elettrica.

Note:

- Se avete domande sulla messa a terra o problemi simili, consultate un tecnico qualificato.
- Danni o lesioni dovuti ad un collegamento elettrico non corretto non sono responsabilità del produttore o del fornitore.
- Colori dei cavi elettrici:
 - o Verde e giallo: Filo di messa a terra
 - o Blu: Filo neutro
 - o Marrone: Filo di tensione e

INTERFERENZE

1. Il funzionamento del forno a microonde può interferire con la radio, la televisione o altri dispositivi.
2. Qualora si verificasse un'interferenza, essa può essere ridotta o eliminata adottando le seguenti misure:

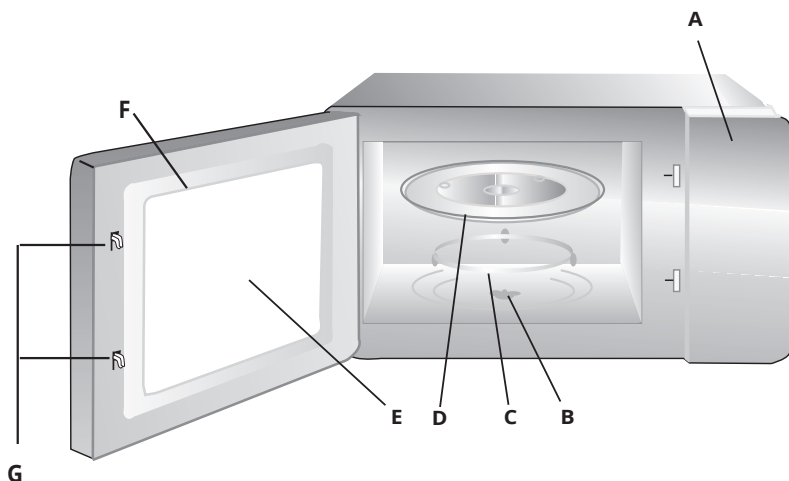
- Pulire la porta e le superfici isolanti.
- Spostare l'antenna radio o televisiva.
- Spostare il microonde in un altro luogo.
- Collegare il forno a microonde ad una presa diversa dagli altri apparecchi.

INSTALLARE IL VOSTRO FORNO A MICROONDE

Nomi dei componenti e degli accessori del forno

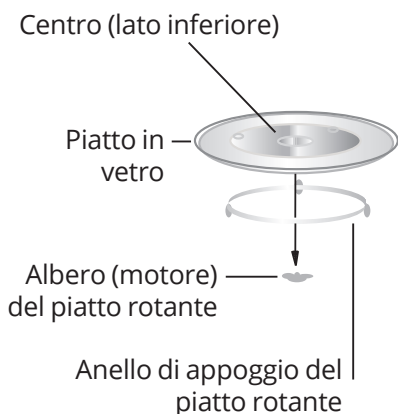
Estrarre il forno e tutti i materiali dall'imballo e dalla cavità del forno. Il forno è fornito con i seguenti accessori:

Piatto girevole in vetro	x1
Insieme anello rotante	x1
Manuale di istruzioni	x1



- A) Pannello di controllo
- B) Albero del piatto rotante
- C) Anello di supporto
- D) Piatto in vetro
- E) Finestra di osservazione
- F) Porta
- G) Sistema di bloccaggio di sicurezza

Installazione del piatto rotante



- a. Non posizionate mai il piatto in vetro al contrario. Il piatto in vetro non deve mai essere bloccato.
- b. Sia il piatto in vetro che l'anello di appoggio del piatto rotante devono essere utilizzati sempre durante la cottura.
- c. Tutti gli alimenti e i contenitori devono essere sempre posizionati sul piatto di vetro.
- d. Se il piatto in vetro o l'insieme anello piatto rotante dovessero incrinarsi, scheggiarsi o rompersi, contattare il centro di assistenza autorizzato più vicino.

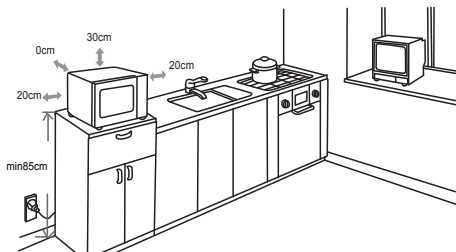
Parte interna: Rimuovere tutto il materiale di imballo compresi gli accessori. Controllare il forno per verificare che non vi siano danni quali ammaccature o danni alla porta. Non installare il forno se danneggiato.

ATTENZIONE: Non rimuovere il sottile rivestimento marrone chiaro in mica attaccato nella cavità del forno, in quanto serve a proteggere il magnetron (il dispositivo di emissione delle microonde).

INSTALLAZIONE

1. Scegliere una superficie piana che garantisca uno spazio sufficiente per garantire la corretta aerazione in ingresso e in uscita.

1. L'altezza minima di installazione è di 85 cm dal pavimento.
2. La superficie posteriore dell'apparecchio deve essere appoggiata contro una parete. Lasciare almeno 30 cm di spazio libero sopra il forno e almeno 20 cm tra il forno e le pareti adiacenti.



3. Non rimuovere i piedini dalla parte inferiore del forno.
4. Non coprire le aperture di aerazione in ingresso o in uscita. La loro ostruzione potrebbe danneggiare il forno.
5. Posizionare il forno il più lontano possibile dalla radio e dalla televisione.
6. Il funzionamento del forno a microonde può causare interferenze nella ricezione del segnale radio o televisivo.

2. Collegare il forno ad una presa di corrente standard. Assicurarsi che la tensione e la frequenza siano uguali alla tensione e alla frequenza specificate sulla targhetta dati.

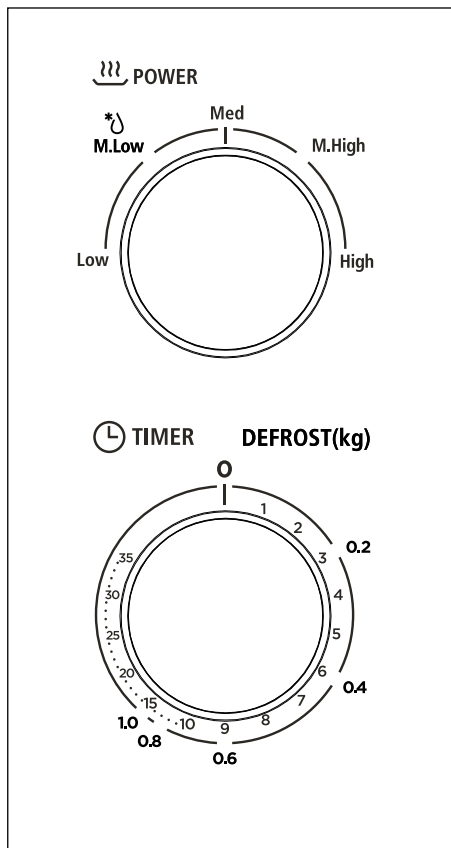
ATTENZIONE: Non installare il forno su una cucina o altri elettrodomestici che producano calore. Se installato in prossimità o sopra una fonte di calore, il forno potrebbe danneggiarsi e la garanzia non sarebbe più valida.



La superficie di appoggio potrebbe riscaldarsi durante il funzionamento.

FUNZIONAMENTO

Pannello di controllo e funzioni



1. Per regolare la potenza di cottura, ruotare il regolatore di potenza al livello desiderato.
2. Per regolare il tempo di cottura, ruotare il regolatore del timer al tempo desiderato secondo la guida alla cottura dei cibi.
3. Il forno a microonde entra in funzione automaticamente dopo l'impostazione del livello di potenza e del tempo.
4. Quando il tempo selezionato è scaduto, l'unità emetterà un segnale acustico e si fermerà.
5. In caso di non utilizzo dell'apparecchio, impostare sempre l'ora su "0".

Funzione/ Potenza	La potenza di uscita o utile	Funzione
Low	17% micro.	Ammorbidire il gelato congelato
M. Low (Defrost)	33% micro.	Zuppa, minestra, brodo ammorbidimento del burro o scongelo
Med.	55% micro.	Spezzatino, pesce
M. High	77% micro.	Riso, pesce, pollo, carne macinata
High	100% micro.	Riscaldamento, latte, acqua bollente, verdure, bevande

Avvertenza: Dopo aver tolto il cibo dal forno, assicurarsi che il forno sia spento e che il controllo del timer sia impostato su 0 (zero). Il funzionamento del forno a microonde senza cibo nel forno può causare il suo surriscaldamento e il danneggiamento della sua valvola magnetronica.

SUGGERIMENTI PER LA RISOLUZIONE DEI PROBLEMI PIU' COMUNI

Se il microonde non funziona:

- Controllare che la spina sia collegata correttamente ad una presa con messa a terra. Se non è collegato correttamente, scollegarlo, attendere 15 secondi e riprovare.
- Controllare il fusibile o il quadro elettrico di casa.
- Provare a collegare il forno ad un'altra presa di corrente.
- Verificare di aver impostato la programmazione corretta.
- Controllare che lo sportello sia ben chiusa. Il forno a microonde può essere usato solo se lo sportello è ben chiuso.

Se dopo i controlli il forno a microonde continua a non funzionare, contattare il servizio di assistenza o una persona similmente qualificata per la riparazione. Non tentare di smontare o riparare l'unità da soli.



In accordo con la Direttiva dell'Unione Europea sui RAEE (Rifiuti di Apparecchiature Elettriche ed Elettroniche - 2002/96/CE) la quale è stata implementata nella maggior parte degli Stati membri tra cui l'Italia con il D.lgs. 151/05, ed oggi il D.lgs. 49/2014 e i successivi Decreti Ministeriali i RAEE devono essere raccolti e trattati separatamente. Qualora si presentasse la necessità di sostituire o smaltire il prodotto in questione, si prega di NON trattarlo gettandolo come se fosse un rifiuto domestico comune. I consumatori devono conferire gratuitamente i loro RAEE o nei punti di raccolta attrezzati dai Comuni o al punto vendita quando ne acquistano uno nuovo equivalente. I punti vendita devono ritirare dai consumatori finali i prodotti restituiti, di qualsiasi marca, senza alcun costo per il consumatore, in ragione di un prodotto ritirato per ogni prodotto equivalente venduto.

Tutte le immagini del manuale fornite sono solo a scopo esplicativo. La forma effettiva dell'unità acquistata può essere leggermente diversa, ma le operazioni e le funzioni sono uguali. L'azienda non assume alcuna responsabilità per errori di stampa. Il design e le specifiche tecniche sono soggetti a modifiche senza preavviso a causa del continuo miglioramento delle nostre attrezzature.

Per ulteriori informazioni in merito, si prega di contattare il produttore al numero telefonico +30 211 300 3300 o il negozio di vendita. Tutti gli aggiornamenti di questo manuale saranno disponibili sul nostro sito Web pertanto consigliamo vivamente di verificare sempre la versione aggiornata dello stesso.



Si prega di scansionare qui per scaricare l'ultima versione di questo manuale.

www.inventorappliances.com/it/manuali

Attiva la tua Garanzia

Segui questi semplici passaggi per attivare la tua garanzia.

Primo Passaggio

Visita il nostro sito web e attiva la tua garanzia tramite il link sottostante:

<http://www.inventorappliances.com/garanzia>

o tramite la scansione del codice QR:



Secondo Passaggio

Compila tutti i campi obbligatori come richiesto prestando la massima attenzione sia a "Dettagli del proprietario" che a "Dati Dettagli dell' Unità":

Per attivare la garanzia elettronica si prega di compilare i campi seguenti

Dettagli del proprietario Nome	Dettagli dell' Unità Tipo
<input type="text"/>	<input type="text"/>
Indirizzo di posta*	Numero seriale dell'Unità*
<input type="text"/>	<input type="text"/>

Terzo Passaggio

Clicca sul pulsante INVIA, in basso a sinistra:

Email:

Sottoscriviti al nostro servizio di Newsletter

INVIARE Tramite la garanzia elettronica l'utente accetta i termini e le condizioni

Una volta completata la registrazione della garanzia, verrà inviato un messaggio di conferma al tuo indirizzo email

Quarto Passaggio

Un'e-mail di conferma verrà inviata all'indirizzo e-mail fornito. Se non l'hai ricevuta, controlla anche la tua cartella Spam.

Quinto Passaggio

Hai attivato con successo la tua Garanzia Inventor!

PRECAUCIONES PARA PREVENIR UNA POSIBLE EXPOSICIÓN EXCESIVA A LA ENERGÍA DEL MICROONDAS

- No intente utilizar este horno con la puerta abierta, ya que ello podría suponer una exposición perjudicial a la energía del microondas. Es importante no romper ni forzar los cierres de seguridad.
- No coloque ningún objeto entre la puerta del horno y la cara frontal, ni permita que se acumulen restos de comida o de productos de limpieza en las superficies de sellado. Si el horno está dañado, no lo haga funcionar. Es especialmente importante que la puerta del horno cierre correctamente y que no haya defectos en la puerta, bisagras, sellos de puerta.
- Este horno solo puede ser reparado por el personal calificado del fabricante.
- No haga funcionar el horno cuando esté vacío. Existe riesgo de incendio y daños en el aparato.

Por favor lea atentamente las siguientes instrucciones antes de utilizar el aparato y conserve el manual para futuras consultas. Utilice el dispositivo únicamente para el fin previsto, como se describe en este manual de usuario.

Especificaciones

Modello	MWO-20LS	MWO-20LW
Fuente de alimentación	220 - 240V / 50Hz	
Potencia de Entrada (Microondas)	1050W	
Potencia de Salida (Microondas)	700 W	
Capacidad	20L	
Diámetro del plato giratorio	255mm	
Dimensiones externas (Ancho x Profundidad x Alto)	439.5x359x258.2mm	440x343x259mm
Peso Neto	10.3kg	

INSTRUCCIONES IMPORTANTES DE SEGURIDAD

Para reducir los riesgos de incendio, descarga eléctrica, lesiones o exposición excesiva a la energía de microondas al utilizar el aparato, siga las precauciones básicas, que incluyen:

ADVERTENCIA:

1. ADVERTENCIA - Este dispositivo es sólo para uso doméstico.
2. Los líquidos u otros alimentos no deben calentarse en recipientes sellados ya que pueden estallar.
3. Es peligroso, para quien no sea un técnico autorizado, retirar la cubierta protectora contra la exposición a la energía del microondas.
4. Este equipo no está diseñado para ser utilizado por niños menores de 8 años y personas con capacidades físicas, sensoriales o mentales reducidas o con falta de experiencia o conocimiento a menos que una persona responsable de su seguridad les brinde la supervisión e instrucciones sobre el uso de la unidad. Mantenga el horno y el cable fuera del alcance de los niños menores de 8 años.
5. Los niños deben ser supervisados para asegurarse de que no juegan con esta unidad.
6. Utilice solo envases aptos para su uso en hornos microondas.
7. El horno y los restos de comida deberían limpiarse regularmente.
8. Cuando caliente alimentos en recipientes de plástico o de papel, vigile el microondas por si estos se prenden.
9. Si hay humo, apague o desenchufe el aparato y mantenga la puerta cerrada para sofocar las llamas, si las hubiera.
10. No caliente excesivamente los alimentos.
11. No utilice el horno microondas para almacenar productos. No guarde alimentos como pan en el interior.
12. Quite las tiras de precinto y las asas metálicas de los recipientes o las bolsas de papel o plástico antes de introducirlos en el horno.
13. Instale o coloque este horno según las instrucciones de instalación proporcionadas.
14. No deberían calentarse en microondas alimentos con cáscara o piel, como manzanas, tomates, patatas, salchichas puesto que puede

- reventar la cáscara. Antes de calentarlos, pinche la cáscara o piel.
15. Los huevos con cáscara y los huevos duros no deben calentarse en el horno de microondas porque podrían reventar causando una especie de explosión.
 16. No ponga en marcha la función de microondas si el horno está vacío. Si está vacío o con poca comida o comida seca, podría causar fuego o chispas.
 17. No cocine la panceta directamente en el plato giratorio. El calor excesivo podría romper la bandeja.
 18. No intente conservar los alimentos usando este dispositivo porque es imposible saber si todos los materiales han alcanzado el punto de ebullición.
 19. Tenga especial cuidado a la hora de calentar líquidos y comida para bebés con el horno microondas. Retire siempre la tapa o la tetina. Remueva y agite bien el contenido de los recipientes tras el calentamiento para lograr una temperatura homogénea y evitar quemaduras.
 20. Las superficies del horno pueden alcanzar unas temperaturas elevadas cuando el aparato está funcionando y pueden calentarse bastante durante el uso. Mantenga el cable alejado de la superficie caliente y no cubra las ranuras de ventilación del horno.
 21. Los líquidos pueden calentarse por encima de su punto de ebullición sin que apenas aparezcan burbujas. Esto podría provocar un repentino desbordamiento del líquido caliente y quemaduras. Para evitarlo, remueva el líquido en el recipiente antes de colocarlo en el horno, repita durante el calentamiento y nuevamente poco antes de retirar el recipiente del horno microondas.
 22. No intente freír aceite de mesa. Peligro de incendio.
 23. Los envases de cocina pueden calentarse demasiado debido a la temperatura que puede alcanzar la comida. Utilice un agarrador o guantes adecuados para sacar los recipientes y los accesorios, intentando no tocar las resistencias.
 24. **ADVERTENCIA:** Nunca utilice el horno microondas para secar tejidos, papel, especias, hierbas, madera, flores, fruta u otros materiales combustibles ni mascotas.

25. No coloque el horno microondas dentro de un armario.
26. La unidad no está diseñada para usarse con un temporizador externo o un mando a distancia de terceros.
27. Durante el uso, el dispositivo está expuesto a altas temperaturas. No toque las paredes del interior del horno. Los niños pequeños deben mantenerse alejados.
28. No utilice aparatos de limpieza con vapor.

INSTRUCCIONES PARA COCINAR

1. Coloque cuidadosamente la comida en el horno microondas. Coloque la parte más delgada de la comida en la parte externa del plato giratorio.
2. Ajuste con moderación el tiempo de cocción. Cocine el menor tiempo necesario y si es necesario añada más tiempo. Los alimentos cocinados en exceso pueden causar humo.
3. Cubra la comida mientras cocina con una cubierta especial y apta para uso en horno microondas. Cubrir el recipiente o plato evita salpicaduras de comida y ayuda a calentar o cocinar de manera uniforme.
4. Gire la comida más de una vez durante la cocción para mejorar el resultado final.
5. Desconecte el cable de corriente si la puerta se abre mientras el horno microondas está operativo.

INSTRUCCIONES ÚTILES DE USO

1. El material ideal para usar en un horno microondas debe ser transparente permitiendo que las microondas pasen y calienten la comida.
2. Las microondas no pueden penetrar el metal, por lo que los aparatos metálicos o las placas decorativas no deben usarse en el horno microondas.

3. Calentar en vasos de papel o en platos siempre debe hacerse en un corto periodo de tiempo y siempre bajo supervisión.
4. No utilice productos de papel reciclado cuando cocine con el horno microondas, ya que pueden contener pequeñas piezas de metal y causar chispas o incluso fuego.
5. Es recomendable utilizar platos redondos u ovalados con el horno microondas debido a que los bordes tienden a cocinarse más rápido.
6. No utilice papel de aluminio u otros utensilios metálicos para calentar o cocinar los alimentos.

La siguiente es una lista general para ayudarlo a elegir los utensilios correctos para cocinar.

Utensilio*	Apto para uso en horno microondas
Pyrex	SÍ
Cerámica	SÍ
Plástico (únicamente los que tienen la etiqueta "apto para microondas")	SÍ
Cartón o papel	SÍ
Envase de vidrio no resistente al calor	NO
Menaje metálico	NO
Parrilla de metal	NO
Papel de aluminio y envases de aluminio	NO

* Los utensilios que se pueden utilizar con un horno microondas tienen la indicación adecuada.

INSTRUCCIONES DE LIMPIEZA

Las siguientes partes del horno microondas deben limpiarse con regularidad para evitar que se acumulen grasas y partículas de alimentos:

- Superficies interiores y exteriores.
- Puerta y sellos de puerta
- Plato giratorio y rodillos

Asegúrese de limpiar siempre las juntas de la puerta y que la puerta se cierre correctamente. Si no mantiene el horno limpio, podría causar el deterioro de la unidad y podría afectar de manera negativa el funcionamiento correcto del aparato provocando incluso una situación peligrosa.

1. Limpie las superficies externas con un paño suave, jabonoso y humedecido con agua tibia. Enjuague y seque con un paño seco.
2. Elimine las salpicaduras o manchas en las superficies internas o en el plato giratorio con un paño jabonoso. Enjuague y seque con un paño seco.
3. Para eliminar las partículas de alimentos más intensas y los olores, añada unas gotas de limón a una taza de agua, introduzca una cuchara dentro de la taza para evitar el retardo de ebullición y coloque la taza en el plato giratorio. Caliente durante 10 minutos a máxima potencia.
4. Lave el plato giratorio cuando sea necesario.

ADVERTENCIA: NO derrame agua en las ranuras.

ADVERTENCIA: NO utilice productos abrasivos o disolventes químicos. Tenga especial cuidado al limpiar los sellos de la puerta asegurándose de que no se han acumulado partículas que podrían evitar la clausura de la puerta.

- No limpie el horno rociando agua directamente sobre él.
- No utilice gasolina o alcohol para limpiar el aparato; puede causar cambio de color, deformación, daños, descargas eléctricas o fuego.
- Antes de la limpieza o el mantenimiento, desenchufe el aparato y retire cualquier residuo de comida de la puerta y de la parte para hornear – De lo contrario, se podrían producir descargas eléctricas o incendio.
- No utilice limpiadores abrasivos fuertes ni rascadores de metal afilados para limpiar el cristal de la puerta del horno, ya que pueden rayar la superficie y provocar que el cristal se rompa.
- No utilice el microondas para secar papel o ropa.
- Para su seguridad, no utilice purificadores de agua a presión o vapor ni pulverizadores de vapor.
- No limpie el dispositivo con un limpiador a vapor; puede causar corrosión.

INSTRUCCIONES DE CONEXIÓN A TIERRA

Antes de utilizar el microondas, asegúrese de que esté debidamente conectado a tierra. Este aparato está equipado con un cable que tiene una toma de tierra con un enchufe de toma de tierra para protegerlo contra riesgos de electrocución. En caso de una fluctuación de voltaje, la conexión a tierra evitará posibles descargas eléctricas. Para el uso del horno de microondas, se recomienda conectar el enchufe a una toma de corriente y no a una regleta con otros aparatos eléctricos.

PRECAUCIÓN: El uso inapropiado de la clavija de tierra puede provocar una descarga eléctrica.

Notas:

- Si tiene alguna pregunta sobre la conexión a tierra u otra cuestión similar, consulte a un técnico calificado.
- Los daños o lesiones por una conexión eléctrica inadecuada no son responsabilidad del fabricante o proveedor.
- Colores de cables eléctricos:
 - o Verde y amarillo: Cable tierra
 - o Azul: Cable neutro
 - o Marrón: Cable potencial

INTERFERENCIAS

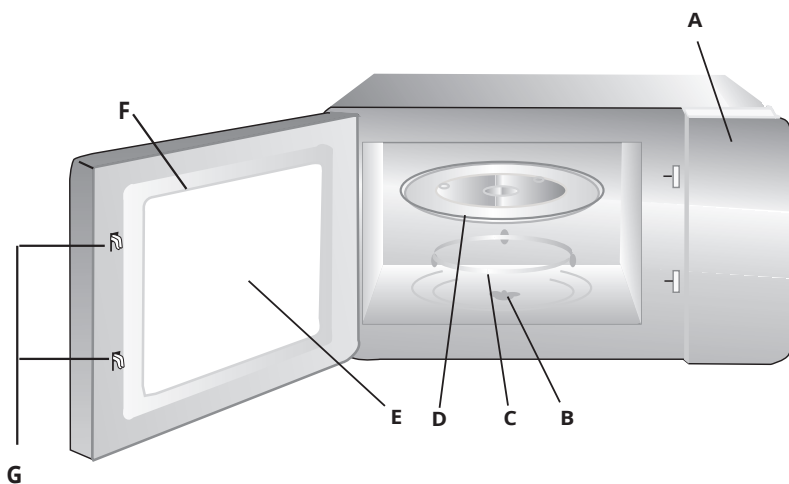
1. El funcionamiento del horno microondas puede interferir con la radio, la televisión u otros dispositivos.
2. En caso de interferencias, puede reducirlas o incluso eliminarlas tomando las siguientes medidas:
 - Limpie la puerta y las superficies de aislamiento.
 - Mueva la antena de la radio o televisión.
 - Mueva el microondas a otra ubicación.
 - Conecte el horno de microondas a una toma de corriente diferente de los otros aparatos.

PREPARACIÓN DE SU HORNO MICROONDAS

Nombres de las piezas y los accesorios del horno

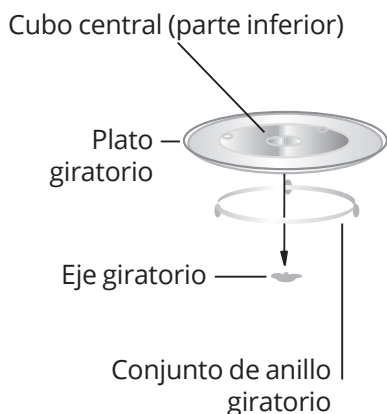
Extraiga el horno y todos los materiales del embalaje y del interior del aparato.

Plato de vidrio giratorio	x1
Conjunto de anillo para plato giratorio	x1
Manual de instrucciones	x1



- A. Panel de control
- B. Eje giratorio
- C. Conjunto de anillo para plato giratorio
- D. Plato giratorio
- E. Ventana de observación
- F. Conjunto de la puerta
- G. Sistema de bloqueo de seguridad

Instalación del plato giratorio



- Nunca coloque el plato giratorio al revés. El plato giratorio nunca debe bloquearse.
- Tanto el plato de vidrio como el conjunto de anillo giratorio deben usarse siempre durante la cocción.
- Todos los alimentos y recipientes deben colocarse siempre sobre el plato de vidrio.
- Si el plato de vidrio o el conjunto de anillo giratorio se rompen o se agrietan, póngase en contacto con el centro de servicio autorizado más cercano.

Extraiga todo el contenido de la caja incluyendo los accesorios. Examine el horno para cualquier daño como abolladuras o puerta rota. Si el horno está dañado, no lo instale.

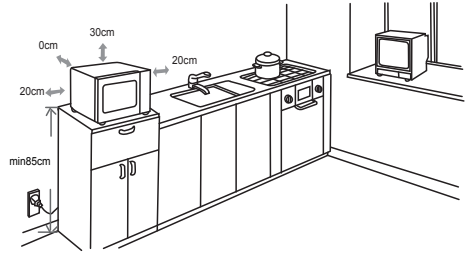
Retire cualquier película protectora que se encuentre en la superficie del gabinete del horno de microondas.

ADVERTENCIA: No retire la tapa de Mica color marrón claro adherida a la cavidad del horno, ya que esta sirve para proteger la válvula magnetrón.

INSTALACIÓN

1. Seleccione una superficie nivelada que proporcione suficiente espacio abierto para la entrada y la salida de aire a través de las ranuras.

1. La altura mínima de instalación es de 85 cm de distancia del suelo.
2. La superficie posterior del aparato debe colocarse contra una pared. Deje un espacio mínimo de 30 cm por encima del horno y un espacio mínimo de 20 cm entre el horno y cualquier pared contigua.



3. No retire las patas de la parte inferior del horno.
4. No cubra las ranuras de ventilación ni los puntos de las tomas de aire. Podría dañar el horno.
5. Coloque el horno lo más lejos posible de la radio y la televisión.
6. El funcionamiento del horno de microondas puede causar interferencias con respecto a la recepción de señal de su radio o televisión.

2. Enchufe su horno en una toma de corriente doméstica estándar. Asegúrese de que el voltaje y la frecuencia son los mismos que el voltaje y la frecuencia especificados en la etiqueta de clasificación.

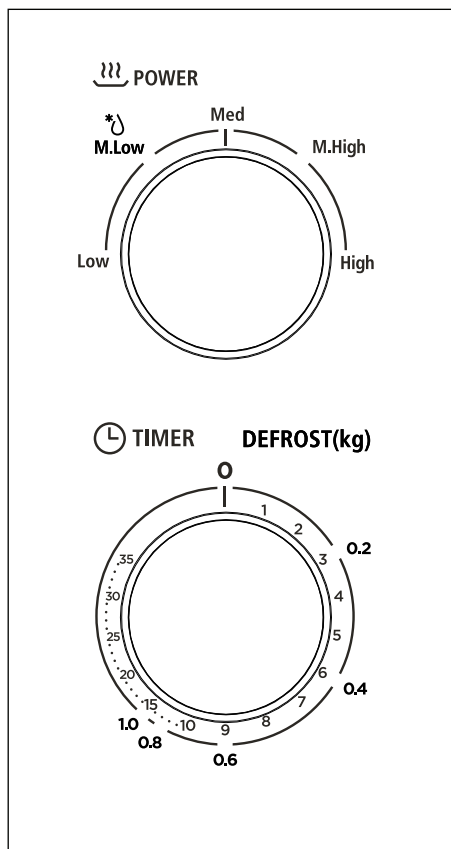
ADVERTENCIA: No instale el horno sobre una placa de cocción u otro aparato que genera calor. Si se instala cerca o sobre una fuente de calor, el horno podría dañarse y la garantía quedaría anulada.



La superficie de apoyo podría calentarse durante el funcionamiento.

FUNCIONAMIENTO

Panel de control y funciones



1. Para ajustar la potencia de cocción, gire el regulador de potencia al nivel deseado.
2. Para ajustar el tiempo de cocción, gire el regulador del temporizador al tiempo deseado según su guía de cocción de alimentos.
3. El horno de microondas comenzará su función automáticamente después de haber establecido el nivel de potencia y el tiempo.
4. Cuando el tiempo elegido haya finalizado, la unidad emitirá un pitido y se detendrá.
5. Si no se va a utilizar el aparato, ajuste siempre el tiempo a "0".

Función/ Potencia	Potencia de salida	Función
Low	17% micro.	Ablandar helado congelado
M . Low (Defrost)	33% micro.	Sopa guiso, suavizar la mantequilla o descongelar
Med.	55% micro.	Guisado, pescado
M. High	77% micro.	Arroz, pescado, pollo, carne molida
High	100% micro.	Calentamiento, leche, hervir agua, verduras, bebidas

Aviso: Después de retirar los alimentos del horno, por favor asegúrese de que el horno esté apagado y el regulador del temporizador esté a 0 (cero).

El funcionamiento del horno de microondas estando vacío y sin alimentos en él, puede provocar un sobrecalentamiento y dañar la válvula magnetrón.

SOLUCIÓN DE PROBLEMAS

Si el horno de microondas no funciona:

- Compruebe que el enchufe esté correctamente conectado a una toma de corriente conectada a tierra. Si no está debidamente conectado, desenchúfelo, espere 15 segundos y pruebe de nuevo.
- Compruebe la caja de fusibles o de disyuntores.
- Intente conectar el horno en otra toma de corriente.
- Compruebe que ha establecido la programación correcta.
- Compruebe que la puerta esté bien cerrada. Si no está cerrada, la energía del microondas no puede iniciarse en el horno y este no funcionará.

Si el horno sigue sin funcionar tras las comprobaciones, póngase en contacto con el servicio técnico o una persona calificada para la reparación. No intente desmontar o reparar la unidad usted mismo.



De acuerdo con la directiva de Residuos de Aparatos Eléctricos y Electrónicos (RAEE), los RAEE deben ser recogidos y tratados por separado. Si en algún momento en el futuro necesita deshacerse de este producto, por favor **NO** lo tire junto con la basura doméstica. Envíe este producto a los puntos de recogida de RAEE que estén disponibles.

Todas las imágenes del manual se ofrecen solo a título aclaratorio. La forma real de la unidad que ha adquirido puede variar ligeramente, pero las funciones y características son las mismas.

La empresa no será responsable por cualquier información mal impresa. El diseño y las especificaciones del producto por motivos, como la mejora del producto, están sujetos a cambios sin previo aviso. Consulte con el fabricante al +30 211 300 3300 o con el departamento de ventas para obtener más detalles. Cualquier actualización futura del manual aparecerá en nuestra página web y se recomienda verificar siempre la última versión



Escanear aquí para descargar la última versión de este manual.
www.inventorappliances.com/es/manuales

Activa tu garantía

Para activar tu garantía sigue los pasos a continuación:

PASO 1

Visita nuestra página a través del enlace:

<http://www.inventorappliances.com/garantia>

o escanea el código QR a continuación:



PASO 2

Rellena todos los campos obligatorios tal y como aparecen en los apartados "Datos del Propietario" y "Datos de la Unidad".

Para activar la tarjeta de garantía, por favor, rellene los siguientes campos

Datos del Propietario	Datos de la Unidad
Nombre	Tipo
Dirección*	Número de Serie de la unidad*

PASO 3

Pulsa el botón "Enviar" en la parte inferior del formulario:

Correo Electrónico*

Suscríbete al boletín informativo de Inventor

ENVIAR de garantía, acepta los términos y condiciones.

Una vez finalizada la solicitud de garantía, recibirá un correo electrónico de confirmación.

PASO 4

Un correo de confirmación se enviará a la dirección de correo electrónico proporcionada. En caso de no haber recibido el correo, por favor revisa el buzón de correo no deseado.

PASO 5

Has activado correctamente tu garantía Inventor.



MICROWAVE



V.1.0.11.2022

