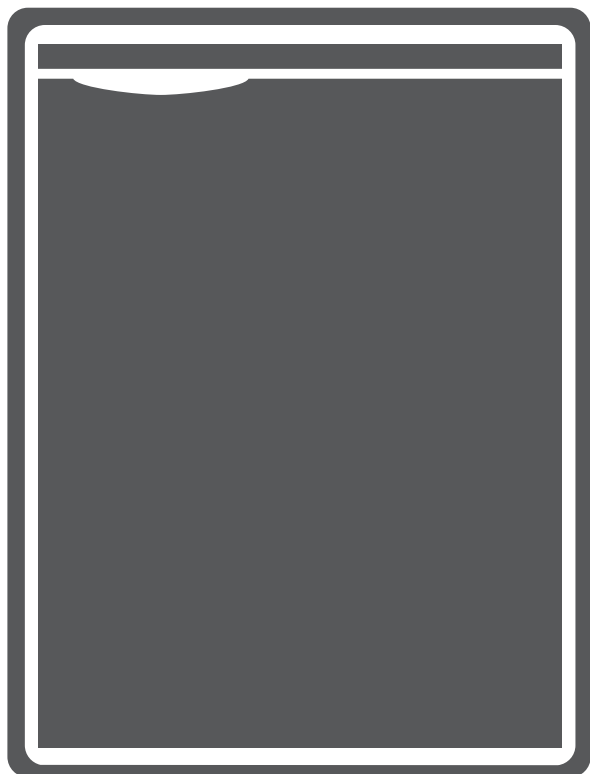




## REFRIGERATOR MINI BAR

- USER'S MANUAL
- ΕΓΧΕΙΡΙΔΙΟ ΧΡΗΣΗΣ
- MANUAL UTILIZATORULUI
- BEDIENUNGSANLEITUNG
- MANUEL D'UTILISATEUR
- MANUALE DELL' UTENTE
- MANUAL DE USUARIO



### MODELS:

MP864W

MP862SEC

MP862S-BS

MP862S

ENGLISH | ΕΛΛΗΝΙΚΑ | ROMANA | DEUTSCH |  
FRANÇAIS | ITALIANO | ESPAÑOL





## LANGUAGES

ENGLISH .....	4
ΕΛΛΗΝΙΚΑ.....	22
ROMANA .....	41
DEUTSCH .....	60
FRANÇAIS .....	79
ITALIANO.....	98
ESPAÑOL .....	117

# TABLE OF CONTENTS

<b>1. SAFETY &amp; WARNING INSTRUCTIONS.....</b>	<b>5</b>
<b>2. ELECTRICAL INFORMATION.....</b>	<b>6</b>
<b>3. SOCIABLE REMARKS ENVIRONMENTAL PROTECTION.....</b>	<b>6</b>
<b>4. STEPS BEFORE USE .....</b>	<b>8</b>
<b>5. GETTING TO KNOW YOUR MINI BAR.....</b>	<b>9</b>
<b>6. MINI BAR FEATURES .....</b>	<b>10</b>
<b>7. INSTALLATION GUIDELINES .....</b>	<b>11</b>
<b>8. SETTINGS.....</b>	<b>15</b>
<b>9. MAINTENANCE &amp; CLEANING .....</b>	<b>16</b>
<b>10. STORAGE .....</b>	<b>17</b>
<b>11. TIPS .....</b>	<b>18</b>
<b>12. TROUBLESHOOTING.....</b>	<b>18</b>

Dear Consumer,

Congratulations on your choice!

Inventor Mini Bars, cover multiple needs and demands, not limited only to small student's apartments but also accommodating hotel rooms.

F Energy class efficiency, low energy consumption and a modern design, is an ideal combination, making Inventor Mini Bars the best choice!

Please refer to this manual of the Mini Bar, through the guidelines included, to benefit from both, energy savings and performance efficiency.

# 1. SAFETY & WARNING INSTRUCTIONS

- No children under the age of 8 should be permitted to operate this electric device. Be certain, that children, handicapped people, or people with the lack of knowledge and experience, must be supervised, depending the situation, by persons responsible for their well-being and do not undertake procedures such as the cleaning or the maintenance of this device.
- It is important that adequate supervision is provided and no minors are left unattended with this device.
- This refrigerator is intended to be used in household and similar residential applications such as:
  - 1) Farmhouses; staff kitchen areas in shops, offices and other working environments;
  - 2) By clients in hotels, motels bed and breakfast and other residential type environments.
- Do not install the appliance in areas that are too humid or too cold, such as construction appendices, garages or wine cellars.
- This device should always be kept in an upright position to avoid any damage.
- If the supply cord is damaged, it must be replaced by the manufacturer, its service agent or similarly qualified persons to avoid a hazard. Never attempt to dismantle, repair or modify the device.
- Ventilation openings, in both the appliance's enclosure and in the built-in structure should be clear of obstructions. Mechanical devices or other means of accelerated defrosting should not be used, only methods recommended from the manufacturer should be applied.
- As this device is heavy, always be cautious when relocating, safety gloves are recommended.
- When relocating this appliance, slightly lift from the front, in order to avoid any floor damage.
- Do not attempt to repair, dismantle or modify this appliance. Contact your authorized service technician for repair or maintenance of this device.
- Do not operate this unit by switching the main power supply on or off.
- During operation, do not touch the compressor or the condenser, be cautious as they are hot.
- Do not place heavy objects on the power cord. Make sure that the cord is not compressed.
- Do not place cord under any obstacles (carpets rugs or runners etc). Cord should be arranged away from areas where accidental tripping may occur.
- Do not operate other electric appliances inside the food storage compartments of this device, unless recommended by the manufacturer.
- Do not store explosive substances such as aerosol cans with a flammable propellant in this appliance.
- The refrigerant circuit should remain intact. If damage occurs, be extremely cautious of any flames or sources of ignition. Ventilate the room.
- Do not sit or climb on the device.
- Do not place the unit in direct sunlight or near other heating sources like radiators, cookers, ovens or hobs.
- Do not use the unit near heat sources, chemicals, radiators, flammable materials or fire.

## 2. ELECTRICAL INFORMATION

- The nameplate, with all the electrical and technical data of this appliance, is located on the rear panel.
- The appliance should be installed in accordance with national wiring regulations.
- Be sure the device is grounded properly. Proper grounding is important as it minimizes the chance of electric shock or fire. The power cord is equipped with a grounding plug for protection against electric shock hazards.
- The device must be used in a properly grounded wall socket. If the specific socket you intend to use is not adequately grounded or protected by a time delay fuse or circuit breaker, have a qualified electrician install the proper receptacle.
- Ensure the wall socket is still accessible after the installation of the refrigerator.
- Do not use extension cords or adapter plugs with this device.
- Make sure not to cause damage to the electrical components (e.g. main plug, main cable, compressor). Contact the Service or an electrician to change the electrical components.
- To avoid personal injury, always disconnect the power supply of the device, before maintenance.



**Power off the refrigerator before removing the plug. Do not disconnect the plug from the wall socket by pulling on the cord.**

## 3. SOCIABLE REMARKS ENVIRONMENTAL PROTECTION

Disposal of equipment no longer used:

Please follow the instructions below, when using this refrigerator in European countries.

● This appliance requires special treatment for disposal. In the European Union, electronic equipment must not be treated as domestic waste, but must be disposed of professionally in accordance with Directive 2002/96/EC of the European Parliament and Council of 27th January 2003 concerning old electrical and electronic equipment. The disposal of this unit should follow all legal requirements and should not be disposed as unsorted municipal waste.

The hazardous substances can leak into the ground water supply thus entering the food chain, endangering your health and the environment.

● There are several alternative solutions for disposal. Please remove all doors before disposal to prevent children's accidental trapping.



A) Your local municipality has established free collection systems for electronic waste.

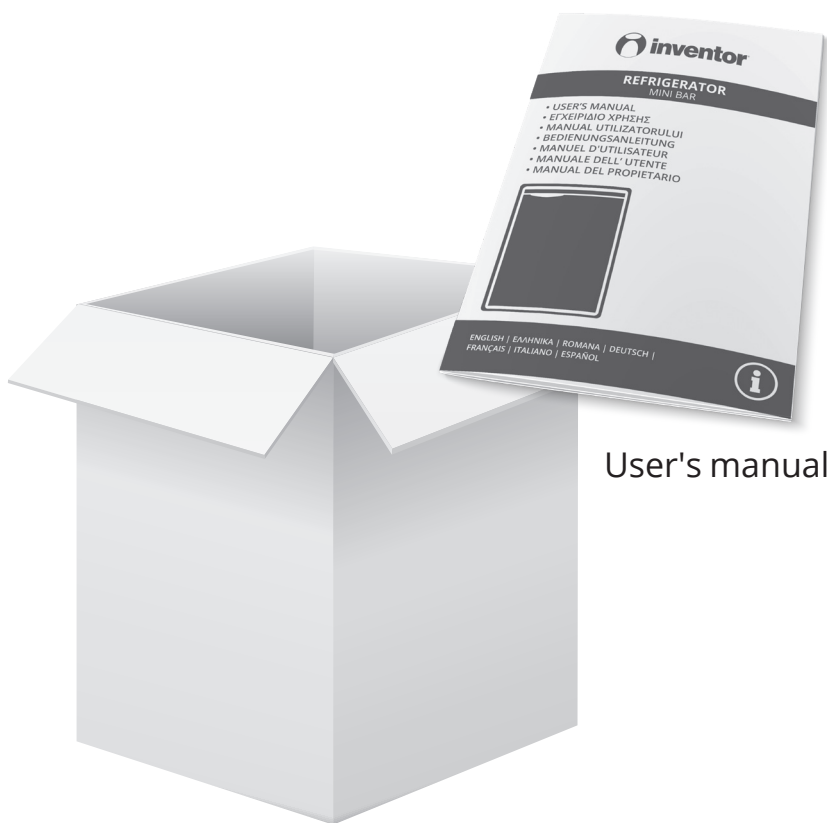
B) Your local retailer upon purchase of a new product.

C) The manufacturer may accept the old appliance for disposal.

D) Old appliances sometimes contain valuable resources for scrap metal dealers.

- For EN standard: This appliance can be used by children aged from 8 years and above and persons with reduce physical sensory or mental capabilities or lack of experience and knowledge if they have been given supervision or instruction concerning use of the appliance in a safe way and understand the hazards involved. Children shall not play with the appliance. Cleaning and user maintenance shall not be made by children without supervision. Children aged from 3 to 8 years are allowed to load and unload refrigerating appliances.
- To avoid contamination of food, please respect the following instructions:
  - Opening the door for long periods can cause a significant increase of the temperature in the compartments of the appliance.
  - Clean regularly surfaces that can come in contact with food and accessible drainage systems.
  - Clean water tanks if they have not been used for 48 h; flush the water system connected to a water supply if water has not been drawn for 5 days.(note 1)
  - Store raw meat and fish in suitable containers in the refrigerator, so that it is not in contact with or drip onto other food.
  - Two-star frozen-food compartments are suitable for storing pre-frozen food, storing or making ice-cream and making ice cubes.(note 2)
  - One-, two- and three-star compartments are not suitable for the freezing of fresh food.(note 3)
  - For appliances without a 4-star compartment: this refrigerating appliance is not suitable for freezing foodstuffs.(note 4)
  - If the refrigerating appliance is left empty for long periods, switch off, defrost, clean, dry, and leave the door open to prevent mould developing within the appliance.
- Note 1,2,3,4: Please confirm whether it is applicable according to your product compartment type.
- For a freestanding appliance: this refrigerating appliance is not intended to be used as a built-in appliance.

## 4. STEPS BEFORE USE

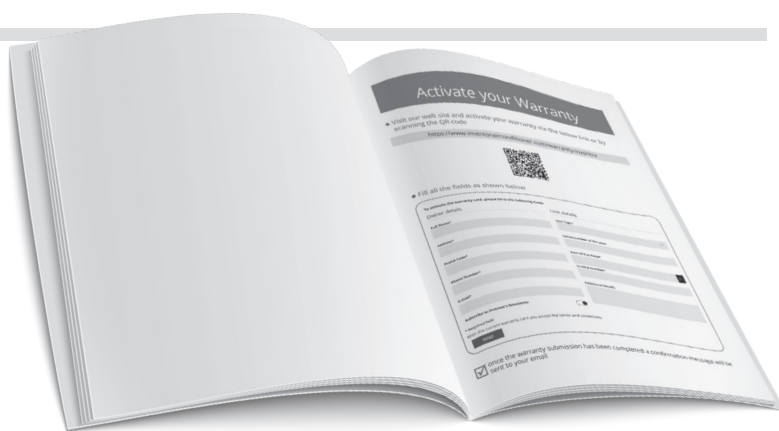


User's manual



Mini Bar

Please refer to the electronic warranty instructions, in the last page (English section) of this manual.



For warranty purposes, please note the SN (serial number). The SN is labeled opposite the device.



## 5. GETTING TO KNOW YOUR MINI BAR



- 1.** Thermostat **2.** Defrosting Pan **3.** Interior Light **4.** Shelf  
**5.** Bucket **6.** Door Compartments **7.** Bottle Rack **8.** Reversible Door  
**9.** Adjustable Foot **10.** Power Cord



## 6. MINI BAR FEATURES

Model name	MP864W	MP862SEC/MP862S-BS /MP862S
Category	MINI BAR	MINI BAR
Color	White	Silver
Total Storage Volume (L)	93	93
Energy Class	F	F
Energy Consumption (kWh/annum)	107	107
Power Supply (V/Hz/Ph)	220-240-/50/1	220-240-/50/1
Climate Class	N/ST/T	N/ST/T
Refrigerant/Mass (g)	R600a/24	R600a/24
Noise Level [dB(A)]	41	41
Product Dimensions (WxDxH) (mm)	472x450x860	472x450x860
Net Weight (Kg)	20.3	20.3
Number of shelves	3	3
Interior Light	YES	YES
Power Cord Length (mm)	1700	1700
Reversible Door	YES	YES
Built-in	NO	NO

Place the appliance in a location where the ambient temperature corresponds to the climate classification for which it is designed. You can find the climate classification on the name plate. The following table shows the climate classification and its matching ambient temperature:

Table 1 Climate classes

Class	Symbol	Ambient temperature range °C
Extended temperate	SN	+ 10 to + 32
Temperate	N	+ 16 to + 32
Subtropical	ST	+ 16 to + 38
Tropical	T	+ 16 to + 43

Extended temperate: 'this refrigerating appliance is intended to be used at ambient temperatures ranging from 10°C to 32°C

Temperate: 'this refrigerating appliance is intended to be used at ambient temperatures ranging from 16°C to 32°C

Subtropical: ' this refrigerating appliance is intended to be used at ambient temperatures ranging from 16 °C to 38 °C

Tropical: ' this refrigerating appliance is intended to be used at ambient temperatures ranging from 16°C to 43°C

## Interior Dimensions (mm)

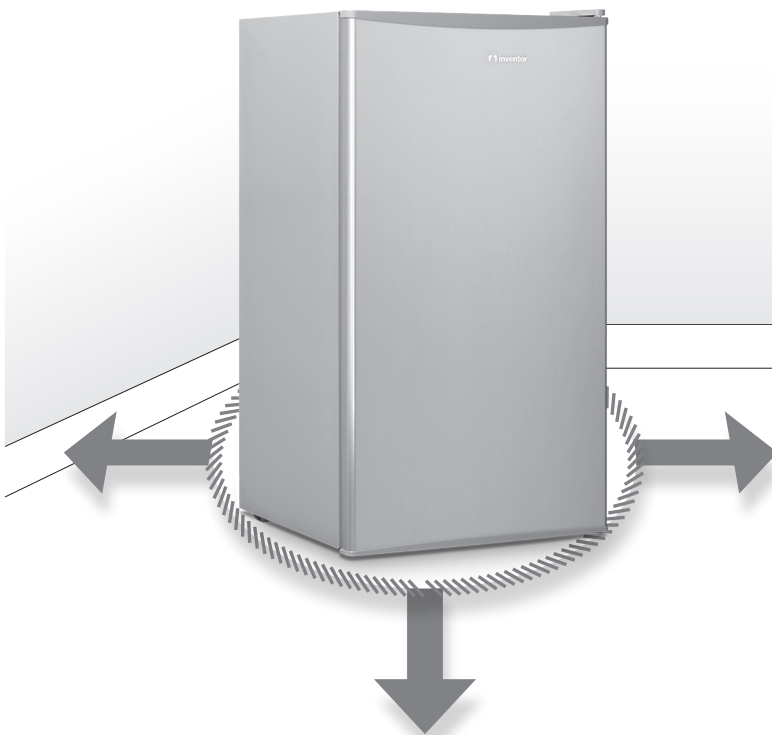


\*There might be a deviation regarding the above prices. Kindly refer to the purchased product.

## 7. INSTALLATION GUIDELINES

### Position

Upon the positioning of this unit, keep in mind the floor must be flat and sturdy and the room should be well ventilated, without additional heating sources nearby.



**1.** Allow sufficient air ventilation surrounding the unit. The rear end (backside) of this appliance should stand against a wall allowing sufficient air ventilation as follows:

- 10cm from the top
- 10cm from the back
- 10cm from the rest sides

**2.** Wait at least 4 hours before connecting the appliance to the power supply, thus, allowing all fluids to settle in the compressor.



**3.** Upon initial use, operate continuously for 24 hours, thus ensuring the correct temperature is reached and smooth operation of the unit is achieved.

## Reversible Door

The door opening can change from either the left or the right side, according to what is best suited for its location. Ensure there is enough adequate space for the door to open fully. To change the door opening direction, please follow the mentioned below instructions:



**Required tools:**

**Head Screwdriver / Slot head Screwdriver / Hexagonal Spanner**

- Before reversing the door swing, unplug the appliance from the power supply and remove goods from fridge.



**1.** Adjust the leveling foot to its highest position. Tilt the unit slightly backwards to take the door off. Rest the unit on something solid so that it will not slip during the door reversing process.



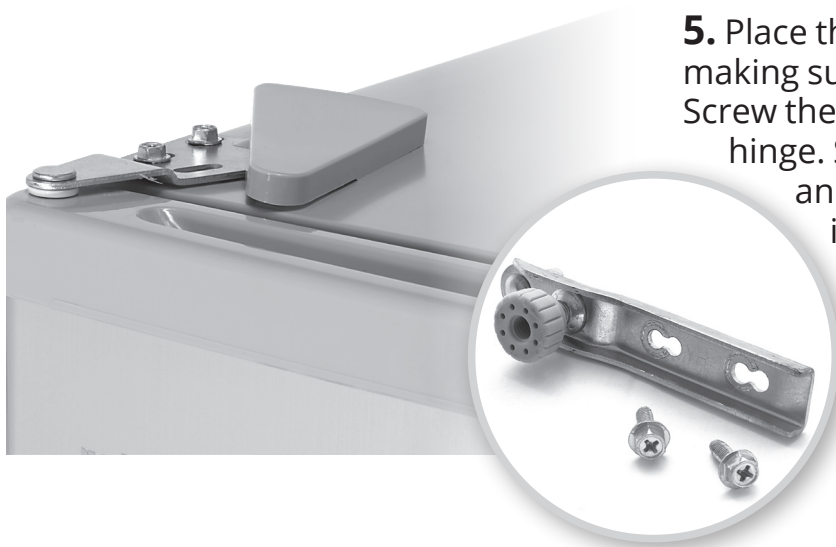
**Do not lay the unit flat as this may damage the coolant system.**

**2.** Remove the plastic cover located on the top right or left (depending on initial door installation side) of the door hinge, and unscrew the two screws with the stabilizing pin.



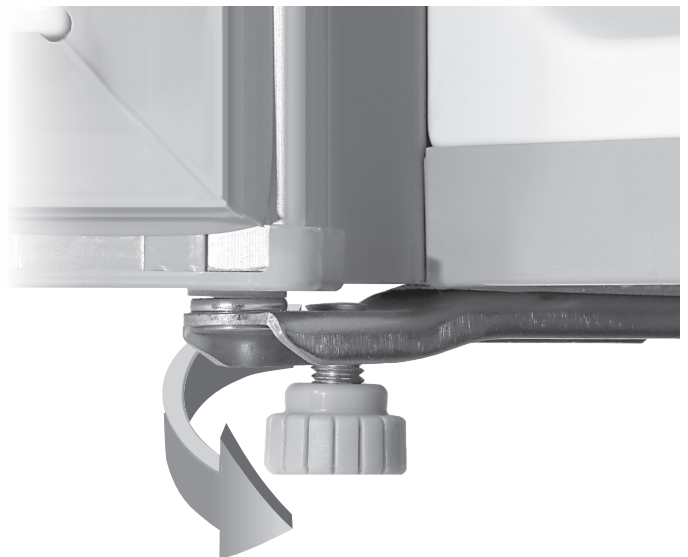
**3.** Slightly tilt so that you may have access to the front bottom bracket. Unscrew the two screws located on the bottom left or right (depending on initial door installation side) and remove the foot from the opposite side. Once top and bottom screws and also the opposite foot are removed, the door will be completely released.

**4.** Remove the three plastic caps from the side you are going to install the door, and place them on the side where the door was originally installed, in order to cover the three screw holes.



**5.** Place the door on the desired side making sure it is in its upright position. Screw the top two screws of the door hinge. Slightly tilt, for better positioning, and screw the bottom hinge into place, and also screw the removed foot on the other side. Once completed clip on the top plastic cap.

**6.** Check if door is aligned horizontally and vertically and that the door when shut is completely sealed from all sides.



**7.** Finally tighten the bottom hinge and re-adjust the foot on the opposite side for correct leveling.

## Leveling the Unit

Adjust the levelling foot at the front of the unit. If the unit is not aligned, the door and magnetic seal alignments will not be covered properly.



## 8. SETTINGS

### Thermostat Temperature Setting

The thermostat is located in the interior at the upper part of the refrigerator. The thermostat setting levels are the following:

- **Setting "OFF"**: the cooling operation stops
- **Setting "MIN"**: Minimum cooling  
It is suggested when the storage quantity is very small.
- **Setting "MED"**: Normal cooling  
When installing the appliance for the first time, be sure to set the thermostat to the MED setting and wait 24 hours before placing items inside.
- **Setting "MAX"**: Maximum cooling  
If there is a large amount of frozen goods, or if the outside temperature is high, the thermostat knob may be set to its highest position, for a short time.



**For determining the correct temperature control setting, consider the following:**

- ✓ Room temperature
- ✓ How frequent the Mini Bar door opens
- ✓ The quantity of stored goods
- ✓ Position of the appliance

## 9. MAINTENANCE & CLEANING



Prior to cleaning the appliance, un-plug from the wall power socket, and remove all shelves.

- Clean the appliance with a moist soft cloth. Use only neutral detergents.
- Clean the unit's interior with a weak bicarbonate soda solution and rinse with warm water applying a damp sponge or cloth.
- Use a damp cloth to clean the exterior, keep in mind the door must be shut to avoid getting any polish on the magnetic door seal or the interior of the unit.
- Upon cleaning, rinse the interior with clean water and dry.

- Allow the appliance to dry for approximately 1 to 2 hours.
- Set thermostat to middle position. Plug into a power source. The appliance will chill continuously until set temperature has been reached.
- Frequently the air vents and the condenser must be cleaned located at the rear end of the appliance, using a vacuum cleaner or a brush. The condenser should always be clean, free of dust or any other impurities.



Clean the interior of the appliance  
**ONCE A MONTH**



- **Do not use abrasive products, abrasive cleaning pads, solvents or metal objects. Do not use water spray and steam to clean the appliance.**
- **Do not use extreme moist cleaning pads. Any moisture around the electric components, should be avoided.**
- **The use of a steam cleaner is prohibited, as this may be very dangerous.**



## Defrosting

It is recommended to defrost the chill box when 3-4mm frost has been accumulated. To implement the defrosting process, consider the following steps:

1. Unplug the appliance.
2. Empty the appliance.
3. Keep the door open while the defrosting process is on progress.
4. Make sure that the interior is free of frost and clean the chill box with a soft cloth.
5. Re-plug, allow appliance to operate for approximately 4 hours, then refill.



- **Never use sharp or metal objects to remove frost while defrosting**
- **Do not use any mechanical devices or instruments to accelerate the defrosting process without consulting the manufacturer first**

## Interior Light

Thanks to the interior lighting you can have a better insight of your products storage. In the event of a malfunction, you can change the interior light bulb of the refrigerator by yourself, following the below steps:

- pull the plug from the socket
- remove the cover from the lighting
- check if the bulb is fully screwed in
- replace it with a bulb of the same type
- replace the cover
- put the plug into the socket



## 10. STORAGE

When appliance is inactive for an extended period of time, please make sure you follow the instructions below, for the appropriate storage of your appliance:

- Turn the unit off allowing one day before storage.
- Remove all the items from the interior compartment.
- Clean the removable parts of the device.
- Leave the door open to prevent unpleasant odors.
- Cover the device.
- Store the refrigerator in upright position, in a dry, well ventilated area and avoid direct sunlight.

## 11. TIPS

- ✓ Do not place products too close. Ensure a sufficient distance for optimum air circulation in the refrigerator.
- ✓ Avoid extensive use of the door on wet and hot weather, keep in mind, once the door is opened to shut the soonest possible.
- ✓ Do not place goods in direct contact with the wall of the refrigerator, always allow some space.
- ✓ Never place inside the unit, hot or even warm goods without allowing them to chill first.
- ✓ Be certain the wall behind the appliance is dirt and dust free, especially with outer condenser equipped units.
- ✓ Do not place goods that are not sealed or well packed directly under the chill box.

## 12. TROUBLESHOOTING

ISSUE	CAUSE / REMMEDY
<b>Appliance is not working</b>	The plug is not in the socket. Put the plug in the socket.
<b>Lighting is not operating</b>	Lamp defective. Replace the bulb as it is suggested on the section "MAINTENANCE & CLEANING".
<b>Temperature in refrigerator is too high or too low</b>	Thermostat has been set incorrectly. Set the thermostat correctly.
<b>Condensation appears on the outside surface of the unit</b>	This may be caused by a change in the room's temperature. Use a soft cloth to wipe away any condensation. If the problem remains, contact a certified technician for assistance.
<b>Appliance is making a noise</b>	<ol style="list-style-type: none"><li>1) The refrigerant liquid causes noises in the cooling system.</li><li>2) Noise is produced while the compressor is operating, as refrigerant fluid is being pumped within the unit.</li><li>3) Make sure the refrigerator is levelled and balanced.</li><li>4) Goods have been placed incorrectly in the refrigerator. Place the goods correctly in the refrigerator.</li><li>5) Check if the refrigerator's components are in the proper position.</li></ol>
<b>Odor</b>	<ol style="list-style-type: none"><li>1) Goods are not stored in sealed containers</li><li>2) There are spoiled goods inside</li><li>3) The interior needs to be cleaned</li></ol>

---

**The refrigerator door can't be properly closed**

Make sure items are not blocking the door.  
Make sure the refrigerator is not overfilled.  
Make sure the refrigerator is not tilted.

---

**Long term operation of the compressor**

It is normal if the compressor runs for a long time during high ambient temperatures.  
Avoid overfilling.  
Allow warm and hot goods to chill prior to placing them in the unit.  
Avoid the frequent opening of the door.

---

**There is ice all around the chill box**

Follow the "defrosting process" mentioned on Section 9.

---

The ordered parts in the following table can be acquired from the channel of Inventor:

<b>Ordered Part</b>	<b>Provided by</b>	<b>Minimum Time Required for Provision</b>
Thermostats	Professional maintenance personnel	At least 7 years after the last model is launched on the market
Temperature sensors	Professional maintenance personnel	At least 7 years after the last model is launched on the market
Printed circuit boards	Professional maintenance personnel	At least 7 years after the last model is launched on the market
Light sources	Professional maintenance personnel	At least 7 years after the last model is launched on the market
Door handles	Professional repairers and final users	At least 7 years after the last model is launched on the market
Door hinges	Professional repairers and final users	At least 7 years after the last model is launched on the market
Trays	Professional repairers and final users	At least 7 years after the last model is launched on the market
Baskets	Professional repairers and final users	At least 7 years after the last model is launched on the market
Door gaskets	Professional repairers and final users	At least 7 years after the last model is launched on the market

All the pictures in the manual are for explanatory purposes only. The actual shape of the unit you purchased may be slightly different, but the operations and functions are the same. The company may not be held responsible for any misprinted information. The design and the specifications of the product for reasons, such as product improvement, are subject to change without any prior notice.

Please consult with the manufacturer at +30 211 300 3300 or with the Sales agency for further details. Any future updates to the manual will be uploaded to the service website, and it is advised to always check for the latest version.



Scan here to download the latest version of this manual.  
[www.inventorappliances.com/manuals](http://www.inventorappliances.com/manuals)

# Activate your Warranty

Follow the next quick steps to activate your warranty:

## STEP 1

Visit our website via the link:

<https://www.inventorairconditioner.com/warranty-inventor>

or by scanning the QR code, as follows:



## STEP 2

Fill in the obligatory fields as requested in the "Owner's details" and "Unit's details":

To activate the warranty card, please fill in the following fields

Owner's details	Unit details
Full Name	Unit
Address*	Serial Number of the unit*

## STEP 3

Click SEND button at the end of the submission form:

Subscribe to Inventor's Newsletter

I accept the terms and conditions.

once the warranty submission has been completed a confirmation message will be sent to your email

**SEND**

## STEP 4

Wait for the confirmation email you will receive at the email address you have filled in - please also check your spam folder.

## STEP 5

Inventor warranty is now valid!

Αγαπητέ καταναλωτή,

Συγχαρητήρια για την επιλογή σας!

Τα Inventor Mini Bar είναι εδώ για να καλύψουν πλήθος αναγκών σας, από τον εξοπλισμό μιας ξενοδοχειακής μονάδας μέχρι ένα μικρό φοιτητικό νοικοκυριό!

Ενεργειακής κλάσης F, χαμηλής κατανάλωσης, με μοναδικό σχεδιασμό και χαρακτηριστικά, είναι μερικοί μόνο λόγοι που τα Mini Bar της Inventor αποτελούν την απόλυτη λύση για εσάς.

Παρακαλούμε διαβάστε προσεκτικά το εγχειρίδιο χρήσης και γνωρίστε το Mini Bar σας μέσα από αναλυτικές οδηγίες, ώστε να εξασφαλίσετε μέγιστες αποδόσεις με τον πιο οικονομικό τρόπο.

# ΠΕΡΙΕΧΟΜΕΝΑ

1. ΟΔΗΓΙΕΣ ΑΣΦΑΛΕΙΑΣ.....	24
2. ΗΛΕΚΤΡΟΛΟΓΙΚΑ ΧΑΡΑΚΤΗΡΙΣΤΙΚΑ.....	26
3. ΓΕΝΙΚΕΣ ΠΑΡΑΤΗΡΗΣΕΙΣ - ΑΠΟΡΡΙΨΗ ΣΥΣΚΕΥΗΣ .....	26
4. ΣΥΜΒΟΥΛΕΣ ΠΡΙΝ ΤΗ ΧΡΗΣΗ .....	27
5. ΓΝΩΡΙΖΟΝΤΑΣ ΤΟ ΜΙΝΙ ΒΑΡ.....	28
6. ΧΑΡΑΚΤΗΡΙΣΤΙΚΑ ΜΙΝΙ ΒΑΡ.....	29
7. ΟΔΗΓΙΕΣ ΤΟΠΟΘΕΣΙΑΣ .....	30
8. ΡΥΘΜΙΣΕΙΣ.....	34
9. ΣΥΝΤΗΡΗΣΗ & ΦΡΟΝΤΙΔΑ .....	35
10. ΑΠΟΘΗΚΕΥΣΗ ΣΥΣΚΕΥΗΣ.....	36
11. ΕΞΥΠΝΕΣ ΣΥΜΒΟΥΛΕΣ.....	37
12. ΑΝΤΙΜΕΤΩΠΙΣΗ ΠΡΟΒΛΗΜΑΤΩΝ .....	37

# 1. ΟΔΗΓΙΕΣ ΑΣΦΑΛΕΙΑΣ

- Παρακαλούμε **ΜΗΝ ΕΠΙΤΡΕΠΕΤΕ** σε παιδιά κάτω των 8 ετών να χρησιμοποιούν αυτή τη συσκευή. Βεβαιωθείτε ότι τα παιδιά, άτομα με αναπηρία (ΑμεΑ) ή έλλειψη γνώσης και εμπειρίας, επιβλέπονται, ανάλογα με την περίπτωση, από άτομα υπεύθυνα για την ασφάλειά τους και δεν αναλαμβάνουν διαδικασίες όπως τον καθαρισμό ή την συντήρηση της συσκευής.
- Τα παιδιά θα πρέπει πάντοτε να επιβλέπονται ώστε να μην παίζουν με τη συσκευή.
- Αυτό το Mini Bar μπορεί να χρησιμοποιηθεί σε οικιακές εγκαταστάσεις ή παρόμοιου τύπου χώρους, όπως:
  - 1) Αγροτικές κατοικίες; Καταστήματα, γραφεία ή παρεμφερή εργασιακά περιβάλλοντα;
  - 2) Ξενοδοχειακές μονάδες και χώροι εστίασης
- Μην τοποθετείτε τη συσκευή σε περιοχές με έντονη υγρασία ή κρύο, όπως γκαράζ ή κελάρια κρασιών.
- Αυτή η συσκευή πρέπει πάντα να διατηρείται σε όρθια θέση για να αποφευχθεί οποιαδήποτε ζημιά.
- Εάν το καλώδιο τροφοδοσίας είναι κατεστραμμένο, θα πρέπει να αντικατασταθεί από τον κατασκευαστή, αντιπρόσωπό του ή άτομα με παρόμοια ειδικευση ώστε να αποφύγετε τον κίνδυνο. Ποτέ μην επιχειρήσετε να αποσυναρμολογήσετε, να επιδιορθώσετε ή να τροποποιήσετε τη συσκευή.
- Πρέπει να εξασφαλίζεται ο σωστός εξαερισμός περιμετρικά της μονάδας για την ομαλή λειτουργία της. Μην χρησιμοποιείτε άλλα μέσα ή συσκευές με σκοπό την επιτάχυνση της αποπάγωσης παρά μόνο εκείνα που συνιστώνται από τον κατασκευαστή.
- Αυτή η συσκευή είναι βαριά και θα πρέπει πάντοτε να είστε προσεκτικοί κατά τη μετεγκατάσταση, φορώντας γάντια ασφαλείας, όπως συνιστάται από τον κατασκευαστή.
- Κατά τη μετεγκατάσταση αυτής της συσκευής, ανασηκώστε ελαφρά μπροστά, για να αποφύγετε οποιαδήποτε φθορά στο πάτωμα.
- Μην επιχειρήσετε ποτέ να επέμβετε και να επισκευάσετε μόνοι σας τη συσκευή. Επικοινωνήστε με αδειοδοτημένο τεχνικό για την συντήρηση και επισκευή της μονάδας.
- Μην ενεργοποιείτε ή απενεργοποιείτε τη συσκευή συνδέοντας ή αποσυνδέοντας την από τη πρίζα.
- Κατά τη διάρκεια της λειτουργίας, μην αγγίζετε τον συμπιεστή ή τον συμπυκνωτή, καθώς έχουν αναπτύξει υψηλές θερμοκρασίες.
- Μην τοποθετείτε βαριά αντικείμενα πάνω στο καλώδιο τροφοδοσίας. Βεβαιωθείτε ότι το καλώδιο δεν συμπιέζεται.
- Μην τοποθετείτε το καλώδιο τροφοδοσίας κάτω από μοκέτες, καθώς υπάρχει πιθανότητα υπερθέρμανσης.
- Μην χρησιμοποιείτε άλλες ηλεκτρικές συσκευές μέσα στο χώρο της συντήρησης της συσκευής, εκτός εάν συνιστάται από τον κατασκευαστή.
- Μην αποθηκεύετε εκρηκτικές ουσίες όπως δοχεία αεροζόλ με εύφλεκτο προωθητικό υλικό εντός της συσκευής.
- Το κύκλωμα του ψυκτικού μέσου θα πρέπει να παραμείνει άθικτο. Εάν προκύψει ζημιά, να εξαερώστε αμέσως το δωμάτιο για την αποφυγή φλόγας ή ανάφλεξης.
- Μην κάθεστε ή σκαρφαλώνετε πάνω στη συσκευή.
- Μην επιτρέπετε την απευθείας έκθεση της συσκευής στην ηλιακή ακτινοβολία ή σε άλλες πηγές θερμότητας.
- Μην λειτουργείτε τη συσκευή κοντά σε πηγές θερμότητας, χημικά, ραδιενεργά στοιχεία, εύφλεκτα υλικά ή φωτιά.




ΓΙΑ να αποφύγετε τη μόλυνση των τροφίμων, τηρήστε τις παρακάτω οδηγίες:





- Η ανοιγόμενη πόρτα για μεγάλες περιόδους μπορεί να προκαλέσει σημαντική αύξηση της θερμοκρασίας στα διαμερίσματα της συσκευής.


- Να καθαρίζετε τακτικά επιφάνειες που μπορούν να έρθουν σε επαφή με τρόφιμα και προσβάσιμα συστήματα αποστράγγισης.

- Δεξαμενές καθαρού νερού εάν δεν έχουν χρησιμοποιηθεί για 48 ώρες. Ξεπλύνετε το σύστημα ύδρευσης που είναι συνδεδεμένο με παροχή νερού εάν δεν έχει τραβηχτεί νερό για 5 ημέρες.. (σημείωση 1)

- Φυλάξτε το ωμό κρέας και τα ψάρια σε κατάλληλα δοχεία στο ψυγείο, έτσι ώστε να μην έρχονται σε επαφή ή να μην στάζουν σε άλλα τρόφιμα.

- Διαμερίσματα  κατεψυγμένου φαγητού δύο αστέρων είναι κατάλληλα για την αποθήκευση των προ-καταψυγμένων τροφίμων, την αποθήκευση ή την παρασκευή παγωτού και την κατασκευή παγοκύβων. (σημείωση 2)

- Του ενός  -, των δύο  - και τα τριών  αστέρων διαμερίσματα δεν  είναι κατάλληλα για την κατάψυξη των νωπών τροφίμων. (σημείωση 3)

- Αν η ψυκτική συσκευή παραμείνει άδεια για μεγάλες χρονικές περιόδους, απενεργοποιήστε, ξεπαγώστε,  καθαρίστε, στεγνώστε και αφήστε την πόρτα ανοικτή για να αποφύγετε την ανάπτυξη μούχλας μέσα στη συσκευή.

- Για συσκευές χωρίς 4 - αστέρων διαμερίσματα: η παρούσα συσκευή κατάψυξης δεν είναι κατάλληλη για την κατάψυξη τροφίμων υλικών. (σημείωση 4)

Σημείωση 1,2,3,4: Παρακαλείστε να επιβεβαιώσετε αν ισχύει ανάλογα με το είδος του διαμερισμάτος σας.

ΓΙΑ μία ανεξάρτητη συσκευή: η παρούσα συσκευή κατάψυξης δεν προορίζεται να χρησιμοποιηθεί σαν μία εντοιχισμένη - συσκευή.

Η ανάγκη να παραμείνουν τα κλειδιά για τις πόρτες ή τα καλύμματα που διαθέτουν κλειδαριές και κλειδιά μακριά από τα παιδιά και όχι κοντά στη συσκευή ψύξης, προκειμένου να αποφευχθεί το κλείδωμα των παιδιών στο εσωτερικό τους.

ΟΠΟΙΑΔΗΠΟΤΕ αντικατάσταση ή συντήρηση των λαμπτήρων LED προορίζεται να πραγματοποιηθεί από τον κατασκευαστή, τον αντιπρόσωπο σέρβις ή άλλο παρόμοιο εξειδικευμένο άτομο.

## 2. ΗΛΕΚΤΡΟΛΟΓΙΚΑ ΧΑΡΑΚΤΗΡΙΣΤΙΚΑ

- Η ετικέτα των τεχνικών και ηλεκτρολογικών χαρακτηριστικών του αφυγραντήρα, βρίσκεται στο πίσω μέρος της συσκευής.
- Η συσκευή πρέπει να εγκατασταθεί σύμφωνα με τους εθνικούς ηλεκτρολογικούς κανονισμούς.
- Βεβαιωθείτε ότι η συσκευή είναι σωστά γειωμένη για την αποφυγή ηλεκτροπληξίας και πυρκαγιάς. Το καλώδιο τροφοδοσίας είναι εφοδιασμένο με γείωση για προστασία έναντι της ηλεκτροπληξίας.
- Θα πρέπει να χρησιμοποιηθεί πρίζα γειωμένη. Εάν η πρίζα που πρόκειται να συνδέσετε τη συσκευή δεν είναι κατάλληλα γειωμένη ή προστατευμένη από ασφάλεια ή διακόπτη, απευθυνθείτε σε εξειδικευμένο ηλεκτρολόγο για την άμεση εγκατάσταση κατάλληλης πρίζας.
- Βεβαιωθείτε ότι η πρίζα θα είναι προσβάσιμη και μετά την εγκατάσταση της συσκευής.
- Μην συνδέετε τη συσκευή σε πολύμπριζα ή μπαλαντέζες
- Για την αποφυγή τραυματισμού, να αποσυνδέετε πάντα τη συσκευή από το ρεύμα πριν τη συντήρηση.
- Για να συνδέσετε ή να αποσυνδέσετε τη συσκευή, κρατήστε την πρίζα σταθερά, χωρίς να τραβάτε το καλώδιο.



**Απενεργοποιήστε το Mini Bar πριν αποσυνδέσετε από τη πρίζα.**

## 3. ΓΕΝΙΚΕΣ ΠΑΡΑΤΗΡΗΣΕΙΣ – ΑΠΟΡΡΙΨΗ ΣΥΣΚΕΥΗΣ

Απόρριψη του Mini Bar που δεν σκοπεύετε να χρησιμοποιήσετε ξανά:

Παρακαλούμε ακολουθήστε τις παρακάτω οδηγίες σχετικά με τη απόρριψη του Mini Bar σε χώρες της Ευρωπαϊκής Ένωσης.

● Αυτή η συσκευή χρίζει ειδικής απόρριψης. Σε χώρες της Ευρωπαϊκής Ένωσης, συσκευές ηλεκτρονικού εξοπλισμού δεν θα πρέπει να αντιμετωπίζονται όμοια με τα οικιακά απόβλητα, αλλά υπεύθυνα, βάσει του Νόμου 2002/96/EC των Ευρωπαϊκών Κανονισμών και του 27ου Συμβουλίου του Ιανουαρίου 2003, σχετικά με τον ηλεκτρολογικό και ηλεκτρονικό εξοπλισμό. Μην απορρίπτετε τη συσκευή με τρόπο αντίθετο των νομικών προϋποθέσεων. Οι επικίνδυνες ουσίες μπορεί να μεταφερθούν μέσω του υδροφόρου ορίζοντα στην τροφική αλυσίδα, προκαλώντας σοβαρές επιπτώσεις στην υγεία και το περιβάλλον.

● Εναλλακτικές λύσεις απόρριψης ορίζονται όπως παρακάτω:

A) Έχουν συσταθεί ειδικά συστήματα περισυλλογής ηλεκτρονικών αποβλήτων, όπου μπορούν να απορριφθούν οι συσκευές χωρίς επιβάρυνση.

B) Κατά τη προμήθεια ενός νέου προϊόντος μπορείτε να επιστρέψετε στον προμηθευτή σας τη παλιά συσκευή χωρίς επιβάρυνση.

Γ) Ο κατασκευαστής μπορεί να παραλάβει τη παλιά συσκευή προς απόρριψη χωρίς επιβάρυνση.

Δ) Τα μεταλλικά εξαρτήματα των παλιών προϊόντων, μπορούν να πωληθούν σε επαγγελματίες.



## 4. ΣΥΜΒΟΥΛΕΣ ΠΡΙΝ ΤΗ ΧΡΗΣΗ

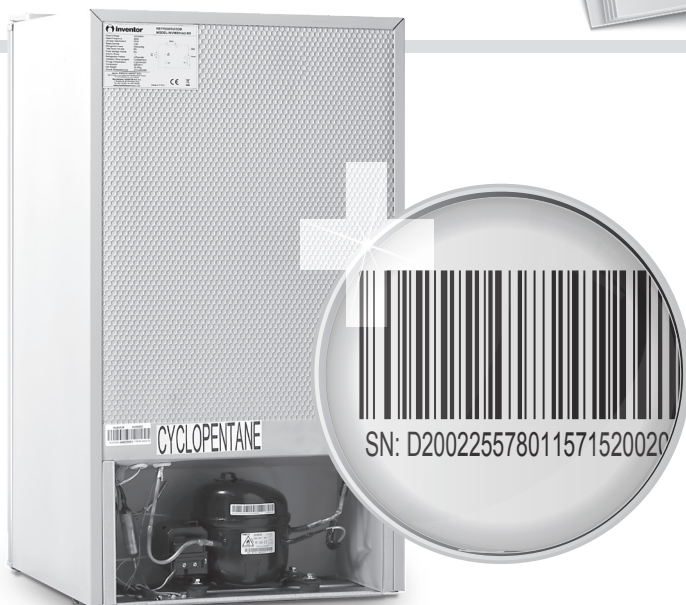
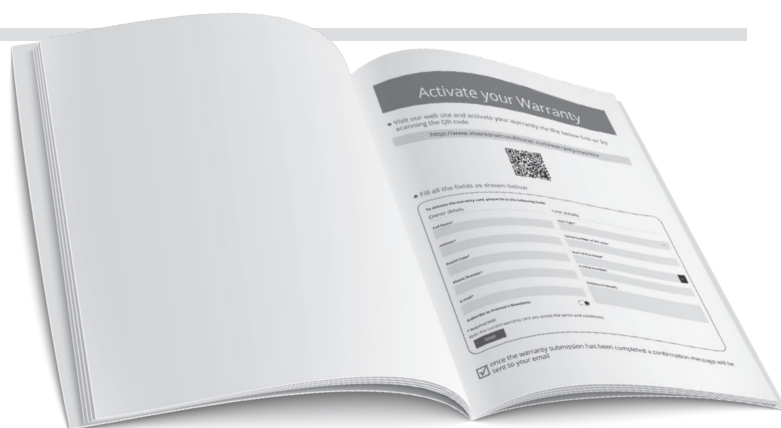


Εγχειρίδιο  
Χρήσης



Mini Bar

Στη τελευταία σελίδα (ελληνικό μέρος) αυτού του εντύπου θα βρείτε οδηγίες σχετικά με την υποβολή της εγγύησης.



Για την υποβολή της εγγύησης θα πρέπει να συμπληρώσετε τον Σειριακό Αριθμό (SN) που βρίσκεται στο πίσω μέρος της συσκευής.

## 5. ΓΝΩΡΙΖΟΝΤΑΣ ΤΟ MINI BAR



- 1.** Θερμοστάτης **2.** Δίσκος Συλλογής Συμπυκνωμάτων **3.** Εσωτερικός Φωτισμός  
**4.** Ράφι **5.** Καλάθι **6.** Εσωτερικά Μέρη Πόρτας **7.** Ράφι Μπουκαλιών  
**8.** Αναστροφή Πόρτας **9.** Ρυθμιζόμενο Πόδι Στήριξης **10.** Καλώδιο Τροφοδοσίας



## 6. ΧΑΡΑΚΤΗΡΙΣΤΙΚΑ MINI BAR

ΚΩΔΙΚΟΣ ΜΟΝΤΕΛΟΥ	MP864W	MP862SEC/MP862S-BS /MP862S
Κατηγορία	MINI BAR	MINI BAR
Χρώμα	Λευκό	Ασημί
Μεικτή Χωρητικότητα Κατάψυξης (L)	93	93
Ενεργειακή Κλάση	F	F
Κατανάλωση Ενέργειας (kWh/έτος)	107	107
Τροφοδοσία Ρεύματος (V/Hz/Ph)	220-240-/50/1	220-240-/50/1
Κλιματική Κλάση	N/ST/T	N/ST/T
Ψυκτικό Υγρό/Βάρος (g)	R600a/24	R600a/24
Στάθμη Θορύβου [dB(A)]	41	41
Διαστάσεις Προϊόντος (ΜxΒxΥ) (mm)	472x450x860	472x450x860
Καθαρό Βάρος (Kg)	20.3	20.3
Αριθμός Ραφιών	3	3
Εσωτερικός Φωτισμός	NAI	NAI
Μήκος Καλωδίου Τροφοδοσίας (mm)	1700	1700
Αναστροφή Πόρτας	NAI	NAI
Εντοιχιζόμενο	ΌΧΙ	Ψ

Τοποθετήστε τη συσκευή σε θέση όπου η θερμοκρασία περιβάλλοντος να αντιστοιχεί στη κλιματική κλάση για την οποία έχει σχεδιαστεί. Για σχετικές πληροφορίες ανατρέξτε στην ετικέτα τεχνικών προδιαγραφών που φέρει το Mini Bar. Ο ακόλουθος πίνακας παρουσιάζει την κλιματική ταξινόμηση και το αντίστοιχο περιβάλλον θερμοκρασίας:

Πίνακας 1 Κλιματικές Κλάσεις

Κλάση	Σύμβολο	Εύρος θερμοκρασίας περιβάλλοντος °C
Εκτεταμένη Εύκρατη	SN	+ 10 to + 32
Εύκρατη	N	+ 16 to + 32
Υποτροπική	ST	+ 16 to + 38
Τροπική	T	+ 16 to + 43

Εκτεταμένη εύκρατη: η συγκεκριμένη συσκευή ψύξης προορίζεται να χρησιμοποιείται σε θερμοκρασίες περιβάλλοντος μεγέθους από 10°C έως 32°C;

Εύκρατη: η συγκεκριμένη συσκευή ψύξης προορίζεται να χρησιμοποιείται σε θερμοκρασίες περιβάλλοντος μεγέθους από 16°C έως 32°C;

Υποτροπική: η συγκεκριμένη συσκευή ψύξης προορίζεται να χρησιμοποιείται σε θερμοκρασίες περιβάλλοντος μεγέθους από 16°C έως 38°C;

Τροπική: η συγκεκριμένη συσκευή ψύξης προορίζεται να χρησιμοποιείται σε θερμοκρασίες περιβάλλοντος μεγέθους από 16°C έως 43°C;

## Εσωτερικές Διαστάσεις (mm)

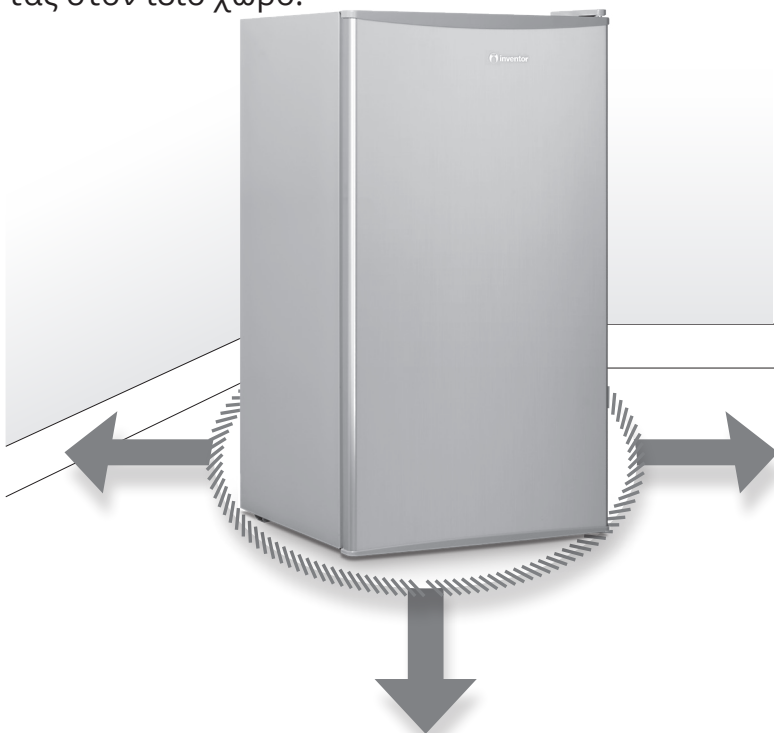


\*Μπορεί να υπάρχει κάποια απόκλιση στις παραπάνω τιμές. Ανατρέξτε στο προϊόν που προμηθευτήκατε.

## 7. ΟΔΗΓΙΕΣ ΤΟΠΟΘΕΣΙΑΣ

### Τοποθέτηση

Κατά την τοποθέτηση του Mini Bar, βεβαιωθείτε ότι το πάτωμα είναι επίπεδο και ανθεκτικό και εξασφαλίστε επαρκή αερισμό του δωματίου. Αποφύγετε πρόσθετες πηγές θερμότητας στον ίδιο χώρο.



**1.** Αφήστε αρκετό χώρο περιμετρικά της συσκευής για την σωστή ανακυκλοφορία του αέρα. Το πίσω μέρος της συσκευής πρέπει να βρίσκεται μπροστά από τοίχο, διατηρώντας τις παρακάτω αποστάσεις:

- 10cm από την οροφή
- 10cm από τον τοίχο στο πίσω μέρος
- 10cm από τις υπόλοιπες πλευρές

**2.** Περιμένετε τουλάχιστον 4 ώρες πριν συνδέσετε τη συσκευή με τη παροχή ρεύματος, επιτρέποντας έτσι την ολοκληρωμένη εγκατάσταση των στοιχείων στον συμπιεστή.



**3.** Κατά την πρώτη λειτουργία της συσκευής, λειτουργήστε αδιάκοπα για 24 ώρες το Mini Bar, εξασφαλίζοντας έτσι το σωστό επίπεδο θερμοκρασίας και την ομαλή λειτουργία της μονάδας.

## Αναστροφή Πόρτας

Η φορά ανοίγματος της πόρτας μπορεί να αλλάξει από την αριστερή ή τη δεξιά πλευρά, ανάλογα με τις ανάγκες του χώρου σας. Βεβαιωθείτε ότι υπάρχει επαρκής χώρος για το άνοιγμα της πόρτας της συσκευής σας. Για να αλλάξετε την φορά ανοίγματος της πόρτας, ακολουθήστε τα παρακάτω βήματα:



**Απαραίτητα Εργαλεία:**  
**Κατσαβίδι Ίσιο / Κατσαβίδι Philips / Εξάγωνο Κλειδί**

- Πριν αναστρέψετε την πόρτα, αποσυνδέστε τη συσκευή από την παροχή ρεύματος και αφαιρέστε τα προϊόντα από το ψυγείο.



**1.** Ρυθμίστε το πόδι στήριξης στην υψηλότερη θέση. Γείρετε τη μονάδα ελαφρώς προς τα πίσω ώστε να αφαιρέσετε την πόρτα. Στηρίξτε τη μονάδα σε κάποια στιβαρή βάση, έτσι ώστε να μην γλιστρήσει κατά τη διαδικασία αποσυναρμολόγηση της πόρτας.



**Μην φέρνετε τη μονάδα σε οριζόντια θέση καθώς μπορεί να προκληθεί βλάβη στο ψυκτικό κύκλωμα.**

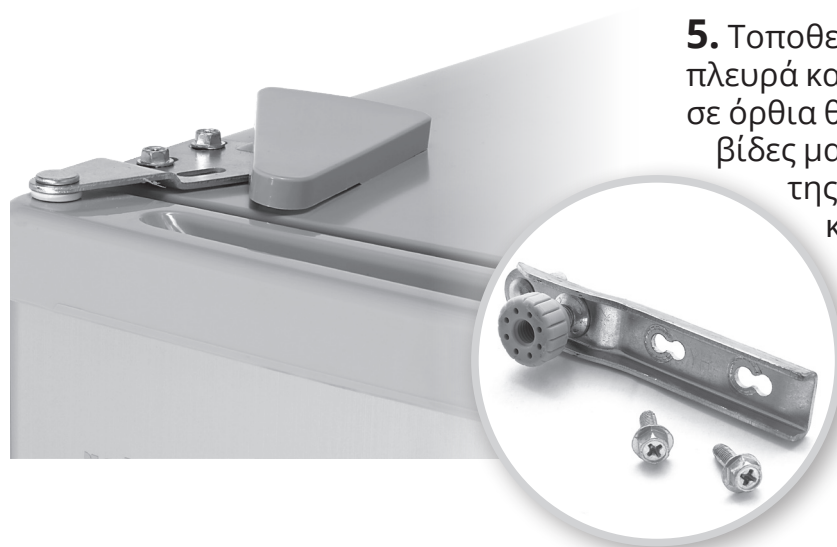
**2.** Αφαιρέστε το πλαστικό κάλυμμα που βρίσκεται πάνω δεξιά ή αριστερά (ανάλογα με την αρχική εγκατάσταση της πόρτας) της άρθρωσης της πόρτας και ξεβιδώστε τις δυο βίδες μαζί με τον πύρο.



**3.** Δημιουργήστε ελαφρά κλίση ώστε να έχετε πρόσβαση στο μπροστινό κάτω στήριγμα. Ξεβιδώστε τις τρεις βίδες που βρίσκονται κάτω αριστερά ή δεξιά (ανάλογα με την αρχική τοποθέτηση της πόρτας) και αφαιρέστε το πόδι από την αντίθετη πλευρά. Μόλις αφαιρεθούν οι άνω και κάτω βίδες και το πόδι στήριξης, η πόρτα θα απελευθερωθεί τελείως.



**4.** Αφαιρέστε τα τρία πλαστικά καπάκια από την πλευρά που πρόκειται να εγκαταστήσετε την πόρτα και τοποθετήστε στη μεριά όπου η πόρτα ήταν αρχικά εγκατεστημένη για να καλύψετε τις οπές.



**5.** Τοποθετήστε την πόρτα στην επιθυμητή πλευρά και βεβαιωθείτε ότι βρίσκεται σε όρθια θέση. Βιδώστε τις επάνω δυο βίδες μαζί με τον πύρο στην άρθρωση της πόρτας. Δημιουργήστε μικρή κλίση, για καλύτερη τοποθέτηση και βιδώστε τον κάτω μεντεσέ, βιδώνοντας επίσης το πόδι στήριξης στην άλλη πλευρά. Μόλις ολοκληρώσετε τοποθετήστε το πλαστικό κάλυμμα στο πάνω μέρος.

**6.** Ελέγξτε αν η πόρτα ευθυγραμμίζεται οριζόντια και κάθετα και βεβαιωθείτε ότι όταν κλείνετε την πόρτα, σφραγίζεται από όλες τις πλευρές.



**7.** Τέλος, σφίξτε τον κάτω μεντεσέ και ρυθμίστε ξανά το πόδι στην αντίθετη πλευρά για σωστή ισορροπία του Mini Bar.

## Ισορροπία του Mini Bar

Ρυθμίστε το πόδι στήριξης στο μπροστινό μέρος της μονάδας. Εάν η μονάδα δεν είναι ευθυγραμμισμένη, η πόρτα και τα λάστιχα της πόρτας δεν θα εξασφαλίζουν την απαραίτητη κάλυψη και στεγανότητα.



## 8. ΡΥΘΜΙΣΕΙΣ

### Ρύθμιση Θερμοκρασίας Θερμοστάτη

Ο θερμοστάτης βρίσκεται στο εσωτερικό του Mini Bar στο πάνω μέρος. Τα επίπεδα ρύθμισης του θερμοστάτη είναι τα εξής:

- **Ρύθμιση "OFF"**: Η λειτουργία ψύξης σταματά
- **Ρύθμιση "MIN"**: Ελάχιστη ψύξη  
Προτείνεται όταν η ποσότητα αποθήκευσης τροφίμων είναι πολύ μικρή.
- **Ρύθμιση "MED"**: Κανονική ψύξη  
Κατά την πρώτη εγκατάσταση της συσκευής, θα πρέπει να ρυθμίσετε τον θερμοστάτη στο MED και να περιμένετε 24 ώρες πριν τοποθετήσετε τα τρόφιμα εσωτερικά.
- **Ρύθμιση "MAX"**: Μέγιστη ψύξη  
Εάν υπάρχει μεγάλη ποσότητα παγωμένων προϊόντων ή εάν η εξωτερική θερμοκρασία είναι πολύ υψηλή, ο θερμοστάτης μπορεί να ρυθμιστεί στην υψηλότερη θέση του, για μικρό χρονικό διάστημα.



**Για τον καθορισμό της σωστής ρύθμισης θερμοκρασίας, προσέξτε τα ακόλουθα:**

- ✓ Θερμοκρασία δωματίου
- ✓ Συχνότητα ανοίγματος της πόρτας του Mini Bar
- ✓ Ποσότητα των αποθηκευμένων τροφίμων
- ✓ Τοποθεσία εγκατάστασης της συσκευής

## 9. ΣΥΝΤΗΡΗΣΗ & ΦΡΟΝΤΙΔΑ



Πριν καθαρίσετε τη συσκευή, αποσυνδέστε την από την παροχή ρεύματος και αφαιρέστε όλα τα ράφια από το εσωτερικό της.

- Καθαρίστε τη συσκευή με ένα υγρό μαλακό πανί. Χρησιμοποιήστε μόνο ουδέτερα απορρυπαντικά.
- Καθαρίστε το εσωτερικό της μονάδας με ένα ουδέτερο διάλυμα ανθρακικού νατρίου και ξεπλύνετε με ζεστό νερό, εφαρμόζοντας ένα υγρό σφουγγάρι ή πανί.
- Χρησιμοποιήστε υγρό πανί για να καθαρίσετε το εξωτερικό μέρος του Mini Bar και φροντίστε η πόρτα να είναι επαρκώς κλειστή ώστε να μην διαπεράσουν στοιχεία στο εσωτερικό του.
- Για την ολοκλήρωση του καθαρισμού, ξεπλύνετε με καθαρό νερό και στεγνώστε.

- Αφήστε τη συσκευή να στεγνώσει για περίπου 1 έως 2 ώρες.
- Ρυθμίστε το θερμοστάτη στη μεσαία θέση. Συνδέστε με τη παροχή ρεύματος και αναμείνετε μέχρις ότου η συσκευή να ανακτήσει την επιθυμητή θερμοκρασία.
- Φροντίστε να καθαρίζετε συχνά τους αεραγωγούς και τον συμπυκνωτή στο πίσω μέρος της συσκευής, χρησιμοποιώντας μια ηλεκτρική σκούπα ή μια βούρτσα. Ο συμπυκνωτής πρέπει να είναι πάντα καθαρός, χωρίς σκόνη ή άλλες ακαθαρσίες, ώστε να διασφαλίζεται η μέγιστη απόδοσή του.



**Καθαρίστε  
το εσωτερικό  
ΜΙΑ ΦΟΡΑ  
ΤΟΝ ΜΗΝΑ**



- Μην χρησιμοποιείτε λειαντικά προϊόντα, λειαντικά πανιά καθαρισμού, διαλύτες ή μεταλλικά αντικείμενα. Μην χρησιμοποιείτε μέσα ψεκασμού νερού και ατμού για τον καθαρισμό της συσκευής.
- Μην χρησιμοποιείτε μέσα καθαρισμού με μεγάλη ποσότητα νερού. Οποιαδήποτε υγρασία γύρω από τα ηλεκτρικά εξαρτήματα, θα πρέπει να αποφεύγεται.
- Η χρήση καθαριστή ατμού απαγορεύεται, καθώς αυτό μπορεί να προκαλέσει κινδύνους.

## Αποπάγωση

Συνιστάται η αποπάγωση του θαλάμου chiller όταν έχει συσσωρευτεί πάγος πάχους 3-4mm. Για την διαδικασία αποπάγωσης, ακολουθήστε τα παρακάτω βήματα:

1. Αποσυνδέστε τη συσκευή από τη παροχή ρεύματος
2. Αφαιρέστε τα τρόφιμα από το εσωτερικό της συσκευής
3. Κρατήστε την πόρτα ανοιχτή ενώ η διαδικασία αποπάγωσης βρίσκεται σε εξέλιξη
4. Βεβαιωθείτε ότι το εσωτερικό είναι απαλλαγμένο από τον πάγο και καθαρίστε το θάλαμο chiller με ένα μαλακό πανί.
5. Επανασυνδέστε με τη παροχή ρεύματος, επιτρέψτε στη συσκευή να λειτουργήσει για περίπου 4 ώρες και στη συνέχεια επανατοποθετήστε τα τρόφιμα στο εσωτερικό του Mini Bar.



- Μην χρησιμοποιείτε αιχμηρά ή μεταλλικά αντικείμενα για την αφαίρεση του πάγου κατά την αποπάγωση
- Μην χρησιμοποιείτε μηχανικές συσκευές ή άλλα μέσα επιτάχυνσης της αποπάγωσης, αν δεν έχετε πρώτα συμβουλευτεί τον κατασκευαστή

## Εσωτερικός Φωτισμός

Ο εσωτερικός φωτισμός της συσκευής σας βοηθά να έχετε καλύτερη εικόνα του εσωτερικού του Mini Bar και των τροφίμων σας. Σε περίπτωση που χρειάζεται αντικατάσταση της λυχνίας, ακολουθήστε τα παρακάτω βήματα:

- Αποσυνδέστε τη συσκευή από τη παροχή ρεύματος
- Αφαιρέστε το πλαστικό κάλυμμα που περιβάλλει τη λυχνία
- Ελέγξτε αν η λυχνία έχει βιδωθεί επαρκώς
- Επανατοποθετήστε το πλαστικό κάλυμμα
- Επανασυνδέστε τη συσκευή με το ρεύμα



## 10. ΑΠΟΘΗΚΕΥΣΗ ΣΥΣΚΕΥΗΣ

Όταν δεν σκοπεύετε να χρησιμοποιήσετε το Mini Bar για μεγάλο χρονικό διάστημα, ακολουθήστε τις παρακάτω οδηγίες αποθήκευσης:

- Απενεργοποιήστε τη συσκευή και αναμείνετε ένα 24ωρο προτού την αποθηκεύσετε.
- Αφαιρέστε όλα τα μέρη από το εσωτερικό της μέρας.
- Καθαρίστε όλα τα αποσπώμενα μέρη της συσκευής.
- Αφήστε τη πόρτα ανοιχτή για την αποφυγή δυσάρεστων οσμών.
- Καλύψτε το Mini Bar.
- Αποθηκεύστε τη μονάδα σε όρθια θέση σε μέρος που εξασφαλίζεται ο συχνός αερισμός και δεν υπάρχει απευθείας έκθεση στην ηλιακή ακτινοβολία.

## 11. ΕΞΥΠΝΕΣ ΣΥΜΒΟΥΛΕΣ

- ✓ Μην τοποθετείτε τα προϊόντα πολύ κοντά. Εξασφαλίστε επαρκή απόσταση για βέλτιστη κυκλοφορία του αέρα.
- ✓ Αποφύγετε τα συχνά ανοίγματα της πόρτας σε περιόδους υψηλών θερμοκρασιών και επιδιώξτε το άμεσο κλείσιμο της.
- ✓ Μην τοποθετείτε τρόφιμα σε άμεση επαφή με τον τοίχο του ψυγείου.
- ✓ Μην τοποθετείτε ποτέ μέσα στη μονάδα, ζεστά τρόφιμα χωρίς να έχετε εξασφαλίσει ότι έχουν αποκτήσει τη θερμοκρασία περιβάλλοντος πρώτα.
- ✓ Βεβαιωθείτε ότι ο τοίχος πίσω από τη συσκευή είναι καθαρός και χωρίς σκόνη, ειδικά σε συσκευές με εξωτερικό συμπιεστή.
- ✓ Μην τοποθετείτε προϊόντα που δεν είναι σφραγισμένα ή καλά συσκευασμένα απευθείας κάτω από το θάλαμο chiller.

## 12. ΑΝΤΙΜΕΤΩΠΙΣΗ ΠΡΟΒΛΗΜΑΤΩΝ

ΠΡΟΒΛΗΜΑ	ΑΙΤΙΑ/ ΑΝΤΙΜΕΤΩΠΙΣΗ
<b>Η συσκευή δεν λειτουργεί</b>	Δεν έχετε συνδέσει τη συσκευή με την παροχή ρεύματος. Συνδέστε τη συσκευή και ελέγξτε ξανά.
<b>Δεν υπάρχει φωτισμός</b>	Η λυχνία δεν λειτουργεί. Αντικαταστήστε τη λυχνία «ΣΥΝΤΗΡΗΣΗ & ΦΡΟΝΤΙΔΑ»
<b>Η θερμοκρασία της συσκευής είναι πολύ υψηλή ή χαμηλή</b>	Δεν έχει ρυθμιστεί σωστά ο θερμοστάτης.
<b>Παρατηρείται υγρασία στην εξωτερική επιφάνεια της συσκευής</b>	Αυτό μπορεί να οφείλετε στη θερμοκρασιακή διαφορά που υπάρχει στον χώρο. Χρησιμοποιήστε μαλακό πανί για να αφαιρέσετε την υγρασία. Αν το πρόβλημα παραμείνει, επικοινωνήστε με εξειδικευμένο τεχνικό για να σας συμβουλέψει.
<b>Ακούγεται έντονος θόρυβος κατά τη λειτουργία της μονάδας</b>	<ol style="list-style-type: none"><li>1) Η ροή του ρευστού στο ψυκτικό κύκλωμα προκαλεί θόρυβο .</li><li>2) Ο θόρυβος παράγεται ενώ λειτουργεί ο συμπιεστής, καθώς το ψυκτικό υγρό αντλείται μέσα στη μονάδα.</li><li>3) Βεβαιωθείτε ότι η συσκευή έχει τοποθετηθεί σωστά και έχει εξασφαλιστεί η ισορροπία της στο έδαφος.</li><li>4) Τα τρόφιμα δεν έχουν τοποθετηθεί σωστά στο εσωτερικό της μονάδας.</li><li>5) Ελέγξτε ότι τα εσωτερικά μέρη του ψυγείου έχουν τοποθετηθεί σωστά.</li></ol>

---

<b>Δυσάρεστες Οσμές</b>	<p>1) Δεν έχουν τοποθετηθεί όλα τα τρόφιμα μέσα σε συσκευασίες</p> <p>2) Έχει λήξει κάποιο από τα τρόφιμα στο εσωτερικό της μονάδας</p> <p>3) Χρειάζεται καθαρισμό η μονάδα</p>
<b>Η πόρτα της συσκευής δεν κλείνει επαρκώς</b>	<p>Βεβαιωθείτε ότι τα τρόφιμα δεν εμποδίζουν την πόρτα από το να κλείσει επαρκώς.</p> <p>Βεβαιωθείτε ότι δεν υπάρχει υπερφόρτωση τροφίμων.</p> <p>Βεβαιωθείτε ότι το ψυγείο δεν βρίσκεται υπό κλίση.</p>
<b>Λειτουργία του συμπιεστή για μεγάλο χρονικό διάστημα</b>	<p>Είναι φυσιολογικό ο συμπιεστής να λειτουργεί για μεγάλο χρονικό διάστημα σε περιόδους με υψηλή θερμοκρασία περιβάλλοντος.</p> <p>Αποφύγετε την υπερφόρτωση του εσωτερικού με τρόφιμα.</p> <p>Βεβαιωθείτε ότι όλα τα τρόφιμα έχουν αποκτήσει τη θερμοκρασία περιβάλλοντος προτού τα εισάγετε στο ψυγείο.</p> <p>Αποφύγετε τα συχνά ανοίγματα της πόρτας.</p>
<b>Υπάρχει πάγος περιμετρικά του κουτιού ψύξης:</b>	<p>Ακολουθήστε τη μέθοδο Αποπάγωσης όπως αναφέρεται στην ενότητα 9.</p>

---

Τα παρακάτω αναφερόμενα στον πίνακα μπορούν να παραληφθούν από την Inventor:

<b>Ανταλακτικό</b>	<b>Προμηθευμένο από</b>	<b>Ελάχιστος χρόνος που απαιτείται για τη προμήθεια</b>
Θερμοστάτες	Επαγγελματικό προσωπικό συντήρησης	Τουλάχιστον 7 έτη αφού το τελευταίο μοντέλο προβλήθηκε στην αγορά
Αισθητήρες θερμοκρασίας	Επαγγελματικό προσωπικό συντήρησης	Τουλάχιστον 7 έτη αφού το τελευταίο μοντέλο προβλήθηκε στην αγορά
Πλακέτες τυπωμένων κυκλωμάτων	Επαγγελματικό προσωπικό συντήρησης	Τουλάχιστον 7 έτη αφού το τελευταίο μοντέλο προβλήθηκε στην αγορά
Πηγές φωτός	Επαγγελματικό προσωπικό συντήρησης	Τουλάχιστον 7 έτη αφού το τελευταίο μοντέλο προβλήθηκε στην αγορά
Χειρολαβές πόρτας	Επαγγελματίες επισκευαστές και τελικούς χρήστες	Τουλάχιστον 7 έτη αφού το τελευταίο μοντέλο προβλήθηκε στην αγορά
Μεντεσέδες πόρτας	Επαγγελματίες επισκευαστές και τελικούς χρήστες	Τουλάχιστον 7 έτη αφού το τελευταίο μοντέλο προβλήθηκε στην αγορά
Δίσκοι	Επαγγελματίες επισκευαστές και τελικούς χρήστες	Τουλάχιστον 7 έτη αφού το τελευταίο μοντέλο προβλήθηκε στην αγορά
Καλάθια	Επαγγελματίες επισκευαστές και τελικούς χρήστες	Τουλάχιστον 7 έτη αφού το τελευταίο μοντέλο προβλήθηκε στην αγορά
Περιβλήματα πόρτας	Επαγγελματίες επισκευαστές και τελικούς χρήστες	Τουλάχιστον 7 έτη αφού το τελευταίο μοντέλο προβλήθηκε στην αγορά

Όλες οι εικόνες στο παρόν εγχειρίδιο εξυπηρετούν επεξηγηματικούς σκοπούς. Το προϊόν που προμηθευτήκατε μπορεί να εμφανίζει ορισμένες διαφορές ως προς το σχήμα, ωστόσο οι λειτουργίες και τα χαρακτηριστικά παραμένουν ίδια. Η εταιρεία δεν φέρει ευθύνη για τυχόν τυπογραφικά λάθη. Ο σχεδιασμός και οι προδιαγραφές του προϊόντος μπορεί να τροποποιηθούν χωρίς προηγούμενη ειδοποίηση με σκοπό τη βελτίωση των προϊόντων. Για λεπτομέρειες, απευθυνθείτε στον κατασκευαστή στο 211 300 3300 ή στον αντιπρόσωπο. Τυχόν ενημερώσεις του εγχειρίδιου θα αναρτηθούν στην ιστοσελίδα του κατασκευαστή, παρακαλούμε να ελέγξετε για την πιο πρόσφατη έκδοση.



Σαρώστε εδώ για να κατεβάσετε την τελευταία έκδοση του εγχειριδίου.  
[www.inventoraircondition.gr/media-library](http://www.inventoraircondition.gr/media-library)

# Υποβολή Εγγύησης

Ακολουθήστε τα παρακάτω σύντομα βήματα για να ενεργοποιήσετε την εγγύησή σας:

## ΒΗΜΑ 1

Επισκεφθείτε την ιστοσελίδα μας μέσω του παρακάτω συνδέσμου:

<https://www.inventoraircondition.gr/egiisi-inventor>

ή σκανάροντας τον ακόλουθο κωδικό QR:



## ΒΗΜΑ 2

Συμπληρώστε όλα τα απαραίτητα πεδία όπως ζητούνται στα "Στοιχεία ιδιοκτήτη" και "Στοιχεία μηχανήματος":

Για να ενεργοποιήσετε την εγγύηση, παρακαλούμε συμπληρώστε τα παρακάτω πεδία:

Στοιχεία ιδιοκτήτη	Στοιχεία μηχανήματος
Όνομα	Τύπος
Διεύθυνση*	Σειριακός αριθμός μηχανήματος*

## ΒΗΜΑ 3

Πατήστε το κουμπί ΑΠΟΣΤΟΛΗ, στο κάτω μέρος της φόρμας υποβολής:

Διεύθυνση email\*

Να εγγραφώ στο newsletter της Inventor

**ΑΠΟΣΤΟΛΗ** της αποδέχεστε τους όρους και τις προϋποθέσεις.

Μολις ολοκληρωθεί η υποβολή της εγγύησης θα λάβετε την επιβεβαίωση κατοχύρωσης στο email σας

## ΒΗΜΑ 4

Θα λάβετε σχετικό mail επιβεβαίωσης στη διεύθυνση email που έχετε δηλώσει. Παρακαλούμε ελέγξτε και τον φάκελο με τα Ανεπιθύμητα εισερχόμενα.

## ΒΗΜΑ 5

Έχετε υποβάλει επιτυχώς την εγγύηση του προϊόντος Inventor!



Stimate client,

Felicitari pentru alegerea facuta!

Mini barurile Inventor pot acoperi multe nevoi si cerinte, fiind potrivite nu numai pentru un apartament mic, studentesc dar si pentru camerele unui hotel.

Clasa energetica F, consumul scazut de energie electrica si design-ul modern sunt motivele pentru care mini barul Inventor reprezinta cea mai buna alegere pe care o puteti face.

Cititi cu atentie acest manual pentru a putea folosi cat mai eficient mini barul dvs. si consultati si sfaturile oferite pentru economia de energie electrica.

# CUPRINS

1. INSTRUCȚIUNI SI AVERTIZARI CU PRIVIRE LA SIGURANTA.....	43
2. INFORMATII CU PRIVIRE LA SPECIFICATIILE ELECTRICE .....	45
3. OBSERVATII CU PRIVIRE LA PROTECTIA MEDIULUI.....	45
4. INAINTE DE PRIMA UTILIZARE .....	38
5. PREZENTAREA PRODUSULUI .....	39
6. CARACTERISTICI TEHNICE .....	40
7. SFATURI DE INSTALARE .....	41
8. REGLAREA APARATULUI .....	44
9. CURATAREA SI MENTENANTA .....	45
10. DEPOZITAREA.....	46
11. SFATURI .....	47
12. DEPANARE.....	47

# 1. INSTRUCȚIUNI ȘI AVERTIZĂRI CU PRIVIRE LA SIGURANȚĂ

- Copiilor cu vârsta sub 8 ani nu le va fi permis să opereze aceste aparate. Copii, persoanele care suferă de handicapuri sau persoanele fără cunoștințe sau experiență vor fi supravegheate, în funcție de situație și nu li se va permite să efectueze lucrări de curățare sau mentenanță.
- Supravegherea adecvată a acestor persoane este importantă. Minorii nu vor fi lăsați singuri cu aceste produse.
- Acest aparat este destinat uzului casnic sau în alte locații similare:
  - 1) Ferme, zone de luat masă pentru angajați, birouri sau alte medii de lucru.
  - 2) Hoteluri, moteluri, pensiuni sau alte spații rezidențiale.
- Nu instalați acest aparat în zone umede și reci, precum garaje, crame sau alte construcții anexe.
- Evitați deteriorarea acestui produs și mențineți-l în poziție verticală întotdeauna.
- În cazul în care cablul de alimentare este deteriorat, acesta va fi înlocuit doar de către producător, reprezentantul autorizat de service sau persoane calificate.
- Gurile de ventilație din interiorul sau structura aparatului trebuie menținute libere, neobstrucționate. Nu folosiți dispozitive mecanice sau alte mijloace pentru a accelera procesul de dezghețare.
- Datorită greutății aparatului, luați-vă măsuri de siguranță atunci când mutați aparatul și întotdeauna purtați mănuși de protecție.
- Nu împingeți aparatul pe podea. Întotdeauna ridicați ușor pentru a evita deteriorarea podelei.
- Nu reparați, demontați sau modificați aparatul de unul singur. Pentru orice reparație sau lucrare de mentenanță, contactați departamentul de service.
- Nu operați acest aparat prin conectarea/deconectarea stecherului din priză.
- În timpul folosirii, nu atingeți compresorul sau condensatorul. Aceste componente sunt fierbinți.
- Nu așezați obiecte grele pe cablul de alimentare. Asigurați-vă că nu comprimați în nici un fel cablul de alimentare.
- Nu trageți cablul de alimentare pe sub covoare, carpete, etc. Întotdeauna aranjați cablul de alimentare departe de zonele circulăte, pentru a evita împiedicarea accidentală.
- Nu folosiți alte dispozitive electrice în zona de depozitare a alimentelor, decât dacă aceste dispozitive sunt recomandate de către producătorul aparatului.
- Nu depozitați materiale explozive precum recipiente cu aerosoli, în interiorul aparatului.
- Nu deteriorați traseul frigorific. În cazul unei defecțiuni, ventilați încăperea pentru a elimina pericolul apariției incendiilor.
- Nu vă urcați pe aparat.
- Nu așezați aparatul direct în lumina soarelui sau lângă alte surse de căldură precum radiatoare, aragazuri sau cuptoare.
- Nu folosiți aparatul lângă surse de căldură, substanțe chimice, materiale inflamabile sau flacăra deschisă.

- Deschiderea usii pentru perioade lungi de timp poate provoca o crestere semnificativa a temperaturii in compartimentele aparatului.
  - Curatati in mod regulat suprafetele care pot intra in contact cu produsele alimentare si sistemele de drenaj accesibile.
  - Curatati compartimentele de apa daca nu au fost utilizate timp de 48 de ore, spalati sistemul de apa conectat la sursa de apa daca apa nu a fost aspirata timp de 5 zile. (nota 1)
  - Pastrati carnea si pestele crude in recipiente adecvate la frigider, astfel incat sa nu fie in contact cu alte alimente.
  - Compartimentele cu doua stele pentru alimente congelate sunt potrivite pentru depozitarea alimentelor pre-congelate, depozitarea inghetatei si a cuburilor de gheata (nota 2)
  - Compartimentele cu unul, doua si trei stele nu sunt potrivite pentru congelarea alimentelor proaspete. (nota 3)
  - Daca aparatul frigorific este lasat gol pentru perioade lungi de timp, opriti, decongelati, curatati, uscati si lasati usa deschisa pentru a preveni formarea mucegaiului in aparat.
  - Pentru aparatele fara compartiment de 4 stele: acest aparat frigorific nu este potrivit pentru congelare. (Nota 4)
- Nota 1,2,3,4: Va rugam sa confirmati aplicabilitatea in functie de tipul compartimentului produsului.
- Pentru un aparat independent: acest aparat frigorific nu este destinat sa fie folosit ca aparat incorporat.
- Fiti foarte prudent fata de usile sau capacele prevazute cu incuietori si chei, deoarece cheile nu trebuie pastrate la indemâna copiilor si sa nu fie in apropierea aparatului frigorific, pentru a preveni blocarea accidentala a minorilor in interior. Orice inlocuire sau luvrare de mentenanta a lampilor LED trebuie efectuata de producator, agentul de service sau de catre o persoana calificata.

## 2. INFORMATII CU PRIVIRE LA SPECIFICATIILE ELECTRICE

- Placuta de identificare, localizata pe spatele aparatului, contine toate informatiile electrice si tehnice ale aparatului.
- Aparatul va fi instalat respectand normele nationale de cablare.
- Asigurati-va ca aparatul este impamantat corect. Impamantarea corecta este importanta pentru a micsora sansele aparitiei socului electric. Cablul de alimentare furnizat este echipat cu protective impotriva socului electric.
- Conectati aparatul doar la o priza cu impamantare. Daca doriti sa conectati aparatul la o priza care nu are impamantare si nu aveti o siguranta cu declansare intarziata, conectati un tehnician pentru a instala o priza corespunzatoare.
- Asigurati-va ca priza va fi usor accesibila si dupa instalarea aparatului.
- Nu folositi prelungitoare si adaptoare.
- Evitati deteriorarea componentelor electrice (stecher, cablul de alimentare, compresor). Contactati imediat departamentul de service pentru schimbarea componentelor deteriorate.
- Pentru a nu va rani, inainte de a incepe lucrarile de mentenanta, opriti aparatul si scoateti-l din priza.



**Opriti aparatul de la buton inainte de a-l scoate din priza.  
Nu scoateti din priza, tragand de cablu.**

## 3. OBSERVATII CU PRIVIRE LA PROTECTIA MEDIULUI

Eliminarea produsului.

Urmati instructiunile de mai jos daca folositi produsul in tarile UE.

- Acest aparat va fi eliminat conform instructiunilor speciale de eliminare. In Uniunea Europeana, deseurile electrice si electronice nu vor fi eliminate impreuna cu deseul municipal. Eliminarea acestui tip de deșeu va fi facuta conform directivei CE 96/2002 a Parlamentului European si conform deciziei Consiliului din 27 Ianuarie 2003, cu privire la chipamentele electrice si electronice.

Substantele periculoase continute de catre acest aparat pot ajunge in panza freatica, astfel putand reveni in alimentatie, daunand mediului inconjurator si daunand sanatatii.

- Mai jos, va sunt prezentate cateva solutii pentru eliminarea corecta a deseurilor electrice si electronice. Inainte de a elimina produsul, demontati usile pentru a evita blocarea unui copil inautru.



- A) Municipalitatea locala pune la dispozitie puncte de colectare a deseurilor electronice.
- B) Magazinul poate ridica produsul vechi in momentul livrarii unui nou.
- C) Producatorul aparatului poate accepta returul unui aparat vechi.
- D) Aparatele vechi pot contine resurse ce pot fi valorificate de catre colectorii de fier vechi.

## 4. INAINTE DE PRIMA UTILIZARE

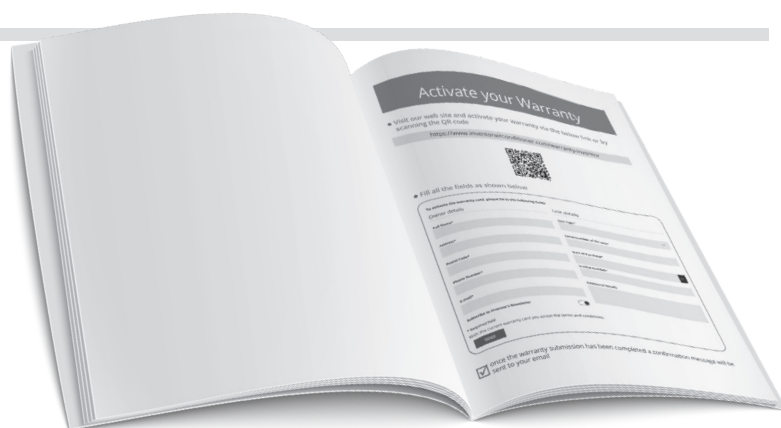


Manualul  
utilizatorului



Mini Bar

Mai multe informatii despre  
inregistrarea electronica a  
garantieii dumneavoastra,  
veti gasi pe ultima pagina a  
acestui manual.



Pentru garantie, notati si seria  
aparaturii (SN). Aceasta serie  
poate fi gasita pe spatele  
aparaturii.

## 5. PREZENTAREA PRODUSULUI



**1.** Termostat **2.** Recipient Degivrare **3.** Lumina Interioara **4.** Raft  
**5.** Recipient **6.** Compartimentele Usii **7.** Suport Sticle **8.** Usa Reversibila  
**9.** Picior Reglabil **10.** Cablu Alimentare



## 6. CARACTERISTICI TEHNICE

MODEL	MP864W	MP862SEC/MP862S-BS /MP862S
Categorie	MINI BAR	MINI BAR
Culoare	Alb	Argintiu
Volum Total Pentru Depozitare (L)	93	93
Clasa Energetica	F	F
Consum (kWh/an)	107	107
Alimentare (V/Hz/Ph)	220-240-/50/1	220-240-/50/1
Clasa Climaterica	N/ST/T	N/ST/T
Agent Frigorific/Masa (g)	R600a/24	R600a/24
Nivel Zgomot [dB(A)]	41	41
Dimensiunile Produsului (LxAxH) (mm)	472x450x860	472x450x860
Greutate Neta (Kg)	20.3	20.3
Numar Rafturi	3	3
Lumina Interioara	DA	DA
Lungimea Cablului de Alimentare (mm)	1700	1700
Usa Reversibila	DA	DA
Incorporabil	NU	NU

Aparatul va fi instalat intr-o incapere in care temperatura corespunde clasificarii climaterice pentru care aparatul este construit. Detaliile legate de clasa climaterica sunt inscrite pe placuta de identificare a aparatului. Valorile sunt mentionate mai jos :

Tabel 1 Clase Climatice

Clasa	Simbol	Interval Temperatura ambientala °C
Temperata Extinsa	SN	+ 10 to + 32
Temperata	N	+ 16 to + 32
Subtropical	ST	+ 16 to + 38
Tropical	T	+ 16 to + 43

Temperata extinsa: acest aparat este destinat folosirii la temperaturi ambientale variind intre 10°C si 32°C

Temperata: acest aparat este destinat folosirii la temperaturi ambientale variind intre 16°C si 32°C

Subtropical: acest aparat este destinat folosirii la temperaturi ambientale variind intre 16°C si 38°C

Tropical: acest aparat este destinat folosirii la temperaturi ambientale variind intre 16°C si 43°C



## Dimensiuni Interioare (mm)

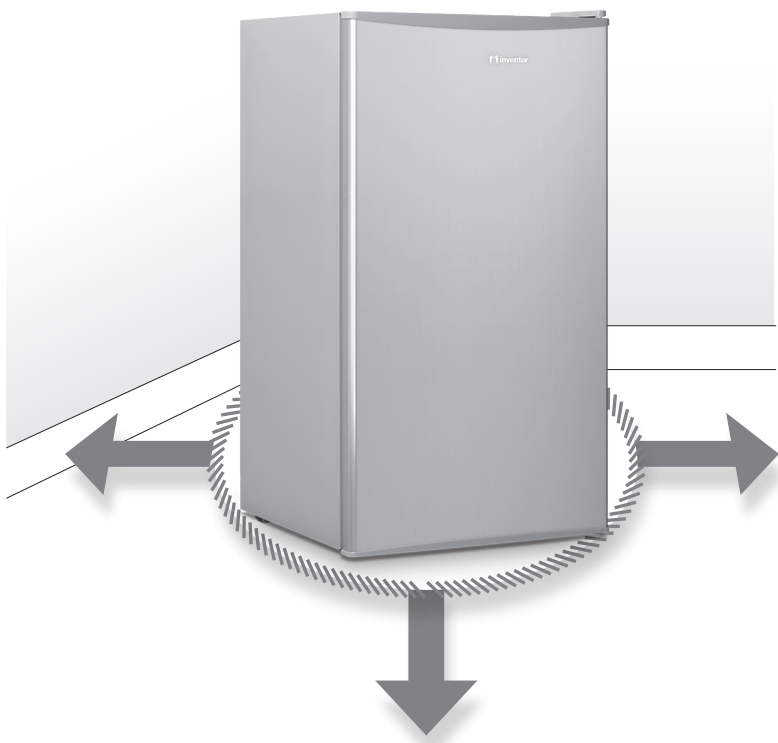


\* Preturile mentionate mai sus se pot schimba fara o notificare prealabila.  
Va rugam sa luati in considerare produsul pe care l-ati cumparat.

## 7. SFATURI DE INSTALARE

### Positionarea

In momentul instalarii aparatului, asigurati-va ca podeaua este dreapta si sufficient de robusta, camera este bine ventilata.



**1.** Asigurati suficient spatiu liber in jurul aparatului pentru o buna aerisire, conform dimensiunilor de mai jos:

- 10cm in partea de sus
- 10cm in partea din spate
- 10cm in lateral

**2.** Inainte de a conecta aparatul la priza, asteptati 4 ore pentru ca toate lichidele din compresor sa se stabilizeze.



**3.** La prima utilizare folositi aparatul continuu, timp de 24h, pentru a asigura echilibrarea temperaturii.

## Usa Reversibila

Deschiderea usii poate fi schimbata pe dreapta sau pe stanga, conform nevoilor dumneavoastra. Asigurati suficient spatiu pentru deschiderea complete a usii. Pentru instructiunile de schimbare a deschiderii usii, consultati sectiunea de mai jos:



**Unelte necesare:**

**Surubelnita dreapta / Surubelnita imbus / Cheie fixa hexagonala**

• Inainte de a incepe lucrarea, scoateti aparatul din priza si inalturati alimentele din frigider.



**1.** Aduceți piciorul la înălțime maximă. Aplecați ușor unitatea spre spate, pentru a putea scoate ușa. Asigurați-vă că sprijiniți aparatul de o suprafață solidă, pentru a nu cădea în timpul operațiunii.



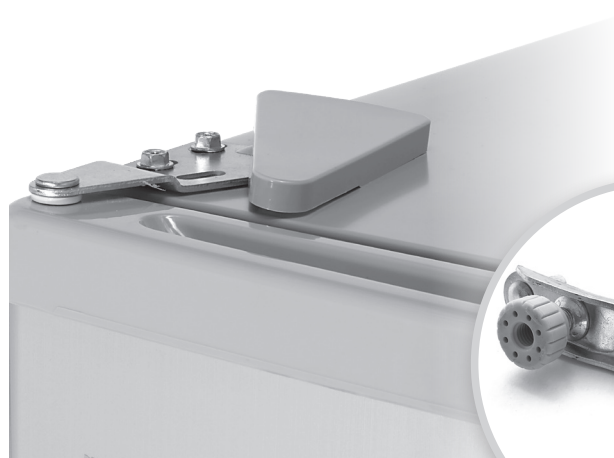
**Nu lăsați aparatul să stea pe partea din spate. Acest lucru va deteriora traseul frigorific.**

**2.** Înălăturați capacul de plastic al balamalei, localizat în partea de sus -stânga sau dreapta (în funcție de poziția inițială a ușii). Desurubați cele 3 șuruburi.



**3.** Aplecați ușor pe spate pentru a avea acces la balamaua inferioară. Desurubați cele 3 șuruburi și înălăturați piciorul din partea opusă. După ce ați desurubat șuruburile din partea superioară și inferioară, ușa poate fi scoasă.

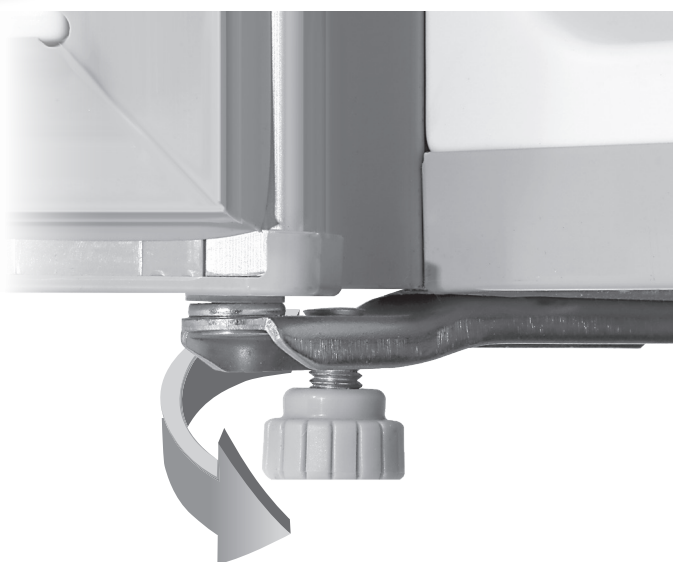
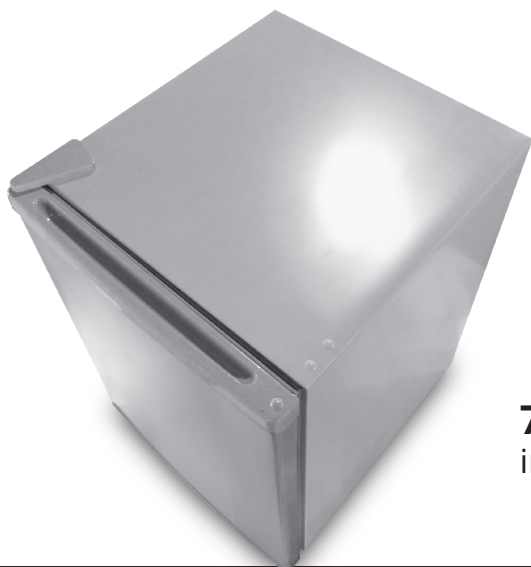
**4.** Inlaturati cele 3 capace din plastic din partea in care doriti sa montati usa si remontatile in partea opusa.



**5.** Pozitionati corect usa pe partea dorita. Insurubati cele 3 suruburi ale balamalei superioare. Pentru a pozitiona corect usa, aplecati aparatul usor pe spate pentru a fixa balamaua inferioara corect. De asemenea, in timp ce aparatul este aplecat spre spate, montati piciorul in partea opusa. Dupa ce ati terminat, montati capacul de plastic in partea superioara.



**6.** Verificati daca usa este aliniata corect (atat orizontal cat si vertical) si daca, in momentul inchiderii, aceasta va fi etansata corect.



**7.** Dupa verificare, strangeti complet balamaua inferioara si pozitionati piciorul din partea opusa.

## Ajustarea Aparatului

Reglați piciorul pe partea din fata aparatului. Dacă aparatul nu este aliniat perfect, usa nu va fi sigilata corect.



## 8. REGLAREA APARATULUI

### Reglarea temperaturii cu ajutorul termostatului

Termostatul este localizat in interiorul aparatului, in partea superioara. Setarile disponibile sunt:

- **Pozitionarea termostatului la "OFF"** – aparatul se va opri.
- **Pozitionarea termostatului la "MIN"**: aparatul va functiona la nivelul minim de racire (recomandat pentru o cantitate mica de alimente).
- **Pozitionarea termostatului la "MED"**: aparatul va functiona la nivelul normal de racire. După ce ati instalat aparatul, reglati termostatul la pozitia MED si lasati frigiderul sa functioneze timp de 24H inainte de a depozita alimentele.
- **Pozitionarea termostatului la "MAX"**: aparatul va functiona la nivelul maxim de racire (recomandat pentru o cantitate mare de alimente depozitate sau atunci cand temperatura exterioara este foarte mare).



**Pentru a determina nivelul corect de folosire a termostatului, luati in considerare factorii de mai jos:**

- ✓ Temperatura incaperii
- ✓ Frecventa deschiderii usii
- ✓ Cantitatea de alimente depozitata
- ✓ Pozitia aparatului

## 9. CURATAREA SI MENTENANTA



Înainte de a curăța aparatul, scoateți-l din priză și îndepărtați rafturile.

- Curățați folosind o cârpă înmuiată în apă caldă și folosiți doar detergenți delicți.
- Ștergeți interiorul aparatului cu o soluție cu o concentrație mică de bicarbonat de sodiu.
- Curățați carcasa exterioară a aparatului folosind o cârpă umedă și folosiți o substanță standard pentru luciu. Asigurați-vă că ușa este închisă pentru a evita ca substanțele folosite să se scurgă pe sigiliile magnetice.
- Clătiți interiorul cu apă curată și uscați complet.

- Lăsați aparatul să se usuce timp de 1-2 ore.
- Reglați termostatul în poziția MED. Conectați aparatul la priză. Aparatul va funcționa în continuu până când va ajunge la nivelul setat de temperatură.
- Curățați frecvent gurile de ventilație și condensatorul aparatului, folosind o perie fină sau aspiratorul. Condensatorul aparatului trebuie menținut întotdeauna curat.



**Interiorul  
frigiderului  
trebuie curățat  
O DATA  
PE LUNA**



- Nu folosiți produse abrazive, solvent sau obiecte metalice pentru curățare. Nu folosiți spray pentru apă sau abur.
- Nu folosiți carpe foarte ude. Eliminați umezeala din jurul componentelor electrice.
- Folosirea unui aparat de curățare cu aburi este interzisă. Această operațiune este periculoasă.

## Decongelarea

Daca stratul de gheata atinge 3-4 mm, este recomandat sa decongelati aparatul. In timpul operatiunii de decongelare, respectati instructiunile de mai jos:

1. Scoateti aparatul din priza
2. Goliti aparatul
3. In timpul procesului de decongelare, tineti usa deschisa.
4. Inainte de re folosire, asigurati-va ca ati eliminat toata gheata si curatati cu o carpa moale.
5. Reintroduceti aparatul in priza, si mentineti-l in functionare timp de 4 h (gol), inainte de a depozita alimentele.

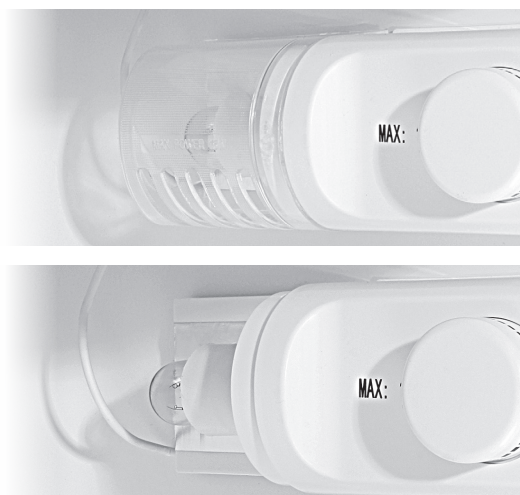


- Nu folositi obiecte ascutite sau din metal pentru eliminarea ghetii.
- Nu utilizati alte aparate sau dispozitive mecanice pentru a accelera procesul de dezghetare.

## Lumini Interioare

Multumita iluminarii interioare a aparatului, vizibilitatea in interiorul aparatului este imbunatatita. In cazul unei defectiuni, becul se poate schimba foarte usor, urmand pasii de mai jos:

- Scoateti aparatul din priza
- Demontati capacul becului
- Verificati daca becul este insurubat corect
- Inlocuiti becul cu unul identic
- Montati capacul la loc
- Conectati aparatul la priza



## 10. DEPOZITAREA

Atunci cand urmeaza sa nu folositi aparatul pentru o perioada lunga de timp, in momentul depozitarii asigurati-va ca urmati instructiunile de mai jos:

- Opriti aparatul cu 24H inainte de depozitare.
- Goliti aparatul.
- Curatati toate partile componente, demontabile ale aparatului.
- Lasati usa deschisa pentru a evita aparitia mirosurilor neplacute.
- Acoperiti aparatul.
- Depozitati aparatul in pozitie vertical, intr-o incapere uscata si bine ventilata, departe de lumina directa a soarelui.

## 11. SFATURI

- ✓ Nu aglomerati produsele in interiorul frigiderului. Permeteti suficient spatiu pentru circulatia optima a aerului, in interior.
- ✓ Evitati deschiderea frecventa a usilor, in special in perioade foarte calde. Daca este nevoie sa deschideti usa, inchideti-o rapid.
- ✓ Nu permiteti contactul alimentelor direct cu peretele interior al aparatului, lasati spatiu liber pentru o mai buna circulatie a aerului.
- ✓ Nu depozitati alimente fierbinti sau calde in interiorul aparatului.
- ✓ Asigurati-va ca peretele exterior din spatele aparatului este intotdeauna curat, in special pentru aparatele echipate cu un condensator exterior.
- ✓ Asigurati-va ca recipientele sau alimentele depozitate sub congelator sunt sigilate sau bine impachetate.

## 12. DEPANARE

PROBLEMA	CAUZA/SOLUTIA
<b>Aparatul nu functioneaza</b>	Aparatul nu este conectat la priza. Va rugam sa introduceti stecherul in priza.
<b>Lumina nu functioneaza</b>	Becul este ars. Inlocuiti becul conform pasilor mentionati la capitolul "Curatare si Intretinere".
<b>Temperatura este prea mare sau prea mica in interiorul frigiderului</b>	Termostatul nu este reglat corect. Ajustati corect termostatul.
<b>Condens depus pe exteriorul aparatului</b>	Condensul poate fi datorat unor schimbari ale temperaturii interioare. Folositi o carpa uscata pentru a sterge condensul acumulat. Daca problema persista, va rugam sa contactati departamentul de service.
<b>Aparatul genereaza zgomote</b>	<ol style="list-style-type: none"><li>1) Agentul frigorific produce zgomote in timpul deplasarii prin traseul frigorific.</li><li>2) In timpul functionarii, compresorul va produce zgomote datorita agentului frigorific care este pompat prin aparat.</li><li>3) Asigurati-va ca frigiderul este montat corect, in pozitie dreapta.</li><li>4) Produsele au fost depozitate incorrect in interiorul frigiderului. Asezati corespunzator alimentele in interior.</li><li>5) Asigurati-va ca celelalte componente ale frigiderului sunt montate corect.</li></ol>
<b>Mirosuri neplacute</b>	<ol style="list-style-type: none"><li>1) Bunurile nu sunt depozitate în containere sigilate</li><li>2) În interior sunt mărfuri rasfatate</li><li>3) Interiorul trebuie curățat</li></ol>



---

**Usa frigiderului nu se inchide corect**

Asigurati-va ca nu exista produse care blocheaza usa.  
Asigurati-va ca nu ati depozitat prea multe produse in interior.  
Verificati daca frigiderul este inclinat.

---

**Functionarea indelungata a compresorului**

Functionarea pentru o perioada indelungata a compresorului este normal in perioade cu temperaturi crescute.  
Nu aglomerati interiorul frigiderului.  
Nu depozitati alimente calde sau fierbinti. Permeteti racirea alimentelor inainte de a le depozita.  
Nu deschideti usile foarte des.

---

**Gheata acumulata in interiorul congelatorului**

Pentru decongelare, urmati pasi mentionati la Capitolul 9.

---

Partile comandate din urmatorul tabel pot fi achizionate de la Inventor:

<b>Piese comandate</b>	<b>Furnizate de</b>	<b>Timp minim necesar</b>
Termostate	Personal de intretinere profesional	Cel pu n 7 ani de la lansarea pe piata a ul mului model
Senzori de temperatura	Personal de intretinere profesional	Cel pu n 7 ani de la lansarea pe piata a ul mului model
Placi de baza	Personal de intretinere profesional	Cel pu n 7 ani de la lansarea pe piata a ul mului model
Surse de lumina	Personal de intretinere profesional	Cel pu n 7 ani de la lansarea pe piata a ul mului model
Manere usa	Personal de intretinere profesional si/sau utilizatori finali	Cel pu n 7 ani de la lansarea pe piata a ul mului model
Balamale usa	Personal de intretinere profesional si/sau utilizatori finali	Cel pu n 7 ani de la lansarea pe piata a ul mului model
Tavi	Personal de intretinere profesional si/sau utilizatori finali	Cel pu n 7 ani de la lansarea pe piata a ul mului model
Cosuri	Personal de intretinere profesional si/sau utilizatori finali	Cel pu n 7 ani de la lansarea pe piata a ul mului model
Garnituri usa	Personal de intretinere profesional si/sau utilizatori finali	Cel pu n 7 ani de la lansarea pe piata a ul mului model

Toate imaginile din acest manual, au scop pur informativ. Forma reala a produsului pe care l-ati cumparat poate fi usor diferita insa functiile si operatiile sunt aceleasi.

Compania nu isi asuma nici o responsabilitate pentru greselile de tipar. Aspectul fizic si specificatiile tehnice se pot schimba fara o notificare prealabila datorita imbunatatirii continue a echipamentelor noastre.

Pentru mai multe detalii, va rugam sa contactati producatorul la numarul de telefon : +30 211 300 3300, sau vanzatorul echipamentului. Toate actualizarile acestui manual vor fi disponibile pe website-ul nostru si va recomandam sa verificati intotdeauna pentru aparitia unei noi versiuni.



Scanati codul QR pentru a descarca ultima versiune a manualului.  
[www.inventoraerconditionat.ro/biblioteca-media](http://www.inventoraerconditionat.ro/biblioteca-media)

# Activeaza-ti garantia

Urmeaza pasii de mai jos pentru activarea garantiei:

## PASUL 1

Viziteaza site-ul nostru urmand linkul:

<https://www.inventoraerconditionat.ro/certificatul-de-garantie-inventor-aer-conditionat-si-electrocasnice>

sau scaneaza cu telefonul tau codul QR de mai jos:



## PASUL 2

Completeaza campurile "Detaliile cumparatorului" si "Detaliile aparatului":

Pentru a activa garantia va rugam sa completati urmatoarele campuri

Detalii cumparatorului	Detalii aparatului
<input type="text" value="Detalii proprietar"/>	<input type="text" value="Detalii unitate"/>
<input type="text" value="Nume cumparator"/>	<input type="text" value="Tip aparat"/>
<input type="text" value="Adresa*"/>	<input type="text" value="Numarul de Serie al aparatului*"/>

## PASUL 3

Dati clic pe butonul TRIMITE, situat in partea stanga jos a formularului de completare a datelor:

Abonati-va la Newsletter-ul Inventor

**TRIMITE**  acceptati Termenii si Conditile.

Imediat ce formularul pentru garantie a fost completat un mesaj de confirmare va fi trimis pe adresa ta de email

## PASUL 4

Un email de confirmare va fi trimis la adresa de email pe care ati declarat-o. In cazul in care nu ati primit un email avem rugamintea sa verificati de asemenea si folderul Spam.

## PASUL 5

Ati activat cu succes Garantia Inventor!

Sehr geehrter Kunde,

herzlichen Glückwunsch zu Ihrer Wahl!

Inventors Mini-Kühlschrank kann viele Bedürfnisse und Anforderungen abdecken. Er ist nicht nur für kleine Studentenwohnungen geeignet, sondern auch für Hotelzimmer.

Seine Energieklasse F, der geringe Energieverbrauch, und sein modernes Design, bilden eine ideale Kombination, die den Inventor Mini-Kühlschrank zur besten Wahl macht!

In dieser Bedienungsanleitung des Mini-Kühlschranks sind alle Richtlinien enthaltenen, um von der Energieeinsparung und der Leistungseffizienz zu profitieren.

# INHALTSVERZEICHNIS

1. SICHERHEITS- UND WARNHINWEISE.....	62
2. ELEKTRISCHE INFORMATIONEN.....	64
3. WICHTIGE HINWEISE ZUR SICHERHEIT UND UMWELT .....	64
4. VOR DER ERSTEN BENUTZUNG .....	65
5. LERNEN SIE IHREN MINI-KÜHLSCHRANK KENNEN.....	66
6. EIGENSCHAFTEN DES MINI-KÜHLSCHRANKS.....	67
7. INSTALLATIONSANLEITUNG .....	68
8. EINSTELLUNGEN.....	72
9. WARTUNG & REINIGUNG .....	73
10. LAGERUNG .....	74
11. TIPPS.....	75
12. FEHLERBEHEBUNG .....	75

# 1. SICHERHEITS- UND WARNHINWEISE

- Dieses elektrische Gerät darf nicht von Kindern unter 8 Jahren sowie von Personen mit reduzierten physischen, sensorischen oder geistigen Fähigkeiten ohne Aufsicht betrieben werden. Sie müssen die Verwendung und Gefahren vollständig verstehen. Die Reinigung und Wartung dieses Gerätes sollte von solchen Personen vermieden werden.
- Es ist wichtig, dass eine ausreichende Betreuung zur Verfügung gestellt wird und keine Minderjährigen mit diesem Gerät unbeaufsichtigt bleiben.
- Dieser Kühlschrank ist für den Einsatz in Haushalts- und ähnlichen Wohngebieten bestimmt:
  - 1) Bauernhöfe, in Geschäften im Küchenbereichen für Personal, Büros und anderen Arbeitsumgebungen.
  - 2) Von Kunden in Hotels, Motels und artverwandten Lokalitäten.
- Installieren Sie das Gerät nicht in zu feuchten oder zu kalten Umgebungen wie Bauanlagen, Garagen oder Weinkellern.
- Dieses Gerät immer in aufrechter Position verwenden, um Beschädigungen zu vermeiden.
- Um Risiken zu vermeiden, darf ein beschädigtes Netzkabel nur vom Hersteller, seinem Kundendienst oder einem qualifizierten Elektriker ersetzt werden. Versuchen Sie niemals, das Gerät selber auseinander zu bauen, zu reparieren oder abzuändern.
- Belüftungsöffnungen, sowohl im Gehäuse des Gerätes als auch in der eingebauten Struktur, sollten frei von Hindernissen sein. Verwenden Sie keine Mechanische Vorrichtungen oder andere Mittel zur Beschleunigung der Abtauung, es sollten nur die vom Hersteller empfohlenen Methoden angewendet werden.
- Der Kühlschrank ist schwer, bitte seien Sie immer vorsichtig bei einem Standortwechsel. Die Verwendung von Schutzhandschuhen wird empfohlen.
- Bei einem Standortwechsel, dieses Gerätes leicht von vorne anheben, um Bodenschäden zu vermeiden.
- Versuchen Sie nicht, dieses Gerät zu reparieren, auseinander zu bauen oder abzuändern. Wenden Sie sich an einen autorisierten Techniker, um dieses Gerät zu reparieren oder zu warten.
- Betreiben Sie das Gerät nicht, indem Sie die Stromversorgung ein- oder ausschalten.
- Berühren Sie während des Betriebs nicht den Kompressor oder den Kondensator. Seien Sie vorsichtig, da diese heiß sind.
- Stellen Sie keine schweren Gegenstände auf das Netzkabel. Stellen Sie sicher, dass das Kabel nicht zusammengedrückt wird.
- Verlegen Sie das Kabel nicht unter Hindernisse (Teppiche, Teppichläufer usw.). Das Kabel muss so verlegt werden, dass niemand stolpern kann.
- Betreiben Sie keine anderen elektrischen Geräte im Inneren des Gerätes, sofern dies nicht vom Hersteller empfohlen wird.
- Lagern Sie keine explosiven Stoffe wie Aerosoldosen mit einem entflammbareren Treibmittel in diesem Gerät.
- Der Kältemittelkreislauf soll immer intakt bleiben. Wenn Beschädigungen auftreten sollten, seien Sie äußerst vorsichtig bei Flammen oder Zündquellen. Lüften Sie den Raum.
- Nicht auf das Gerät draufsetzen oder klettern.
- Setzen Sie das Gerät nicht direktem Sonnenlicht aus oder stellen es in die Nähe von anderen Heizquellen wie Heizkörpern, Herden, Öfen oder Kochfeldern.
- Stellen Sie das Gerät nicht in die Nähe von Wärmequellen, Chemikalien, Heizkörpern, brennbaren Materialien oder Feuer.

- Wenn die Tür für längere Zeit geöffnet wird, kann es zu einem erheblichen Anstieg der Temperatur in den Fächern des Geräts kommen.
  - Reinigen Sie regelmäßig die Oberflächen, die mit Lebensmitteln in Kontakt kommen können, und die zugänglichen Drainagesysteme.
  - Reinigen Sie die Wasserabteile, wenn sie für 48 Stunden nicht in Gebrauch waren, spülen Sie das an die Wasserversorgung angeschlossene Wassersystem, wenn 5 Tage lang kein Wasser entnommen wurde.(Hinweis 1)
  - Lagern Sie rohes Fleisch und rohen Fisch in geeigneten Behältern im Kühlschrank, so dass er nicht mit anderen Lebensmitteln in Berührung kommt.
  - Zwei-Sterne-Tiefkühlkostfächer sind für die Lagerung von vorgefrorenen Lebensmitteln sowie für die Aufbewahrung von Eis und Eiswürfeln geeignet. (Hinweis 2)
  - Ein-, Zwei- und Drei-Sterne-Abteile sind für das Einfrieren von frischen Lebensmitteln nicht geeignet.(Hinweis 3)
  - Wenn das Kühlgerät längere Zeit leer steht, schalten Sie das Gerät aus, tauen Sie es ab, reinigen und trocknen Sie es und lassen Sie die Tür offen, um Schimmelbildung im Gerät zu vermeiden.
  - Für Geräte ohne 4-Sterne-Fach: Dieses Kühlgerät ist nicht zum Einfrieren geeignet. (Hinweis 4)
- Hinweis 1,2,3,4: Bitte bestätigen Sie, ob sie entsprechend Ihrem Produktfachtyp zutrifft. Für ein freistehendes Gerät: Dieses Kühlgerät ist nicht als Einbaugerät vorgesehen.
- Achten Sie besonders auf Türen oder Deckel, die mit Schlössern und Schlüsseln versehen sind, da die Schlüssel außerhalb der Reichweite von Kindern und nicht in der Nähe des Kühlgerätes aufbewahrt werden müssen, um zu verhindern, dass Minderjährige versehentlich eingeschlossen werden.
- Jeder Austausch oder jede Wartung der LED-Lampen muss vom Hersteller, seinem Servicevertreter oder einer ähnlich qualifizierten Person durchgeführt werden.

## 2. ELEKTRISCHE INFORMATIONEN

- Das Typenschild mit allen elektrischen und technischen Daten dieses Gerätes befindet sich auf der Rückseite.
- Das Gerät sollte gemäß den nationalen Verdrahtungsvorschriften installiert werden.
- Achten Sie darauf, dass das Gerät ordnungsgemäß geerdet ist. Eine ordnungsgemäße Erdung ist wichtig, da es die Gefahr eines elektrischen Schlags oder Brandes minimiert. Das Netzkabel ist mit einem Erdungsstecker zum Schutz gegen Stromschlaggefahr ausgestattet.
- Das Gerät muss in einer ordnungsgemäß geerdeten Steckdose verwendet werden. Wenn die spezifische Steckdose, die Sie verwenden möchten, nicht ausreichend geerdet oder durch eine Zeitverzögerungssicherung oder einen Schutzschalter geschützt ist, muss ein qualifizierter Elektriker eine richtige Steckdose installieren.
- Stellen Sie sicher, dass die Steckdose nach der Installation des Kühlschranks noch zugänglich ist.
- Verwenden Sie keine Verlängerungskabel oder Adapterstecker mit diesem Gerät.
- Vergewissern Sie sich, dass die elektrischen Komponenten (z.B. Hauptstecker, Hauptkabel, Kompressor) nicht beschädigt werden. Wenden Sie sich an den Kundendienst oder einen qualifizierten Elektriker, um die elektrischen Komponenten zu wechseln.
- Um Verletzungen zu vermeiden, trennen Sie vor der Instandhaltung immer den Netzstecker von der Steckdose.



**Drehen Sie den Thermostaten im Kühlschrank auf OFF, bevor Sie den Netzstecker aus der Steckdose entfernen. Ziehen Sie nie am Netzkabel, sondern nur am Stecker.**

## 3. WICHTIGE HINWEISE ZUR SICHERHEIT UND UMWELT

Entsorgung von Geräten, die nicht mehr verwendet werden:

Wenn Sie dieses Gerät in europäischen Ländern verwenden, befolgen Sie bitte folgende Informationen.

● Dieses Gerät erfordert eine spezielle Behandlung zur Entsorgung. Elektrogeräte dürfen nicht einfach mit dem Hausmüll entsorgt werden in der Europäische Union, sondern müssen gemäß der Richtlinie 2002/96 / EG des Europäischen Parlaments und Rates vom 27. Januar 2003 für Elektro- und Elektronik-Altgeräte entsorgt werden. Die Entsorgung dieses Gerätes sollte allen gesetzlichen Bestimmungen entsprechen und darf nicht als Hausmüll entsorgt werden.

Schädliche Substanzen können in das Grundwasser und in die Nahrungsmittelkette gelangen, was Ihre Gesundheit und die Umwelt gefährdet.

● Es gibt mehrere alternative Lösungen für die Entsorgung. Bitte entfernen Sie alle Türen vor der Entsorgung. Sie verhindern damit, dass sich spielende Kinder einsperren und in Lebensgefahr geraten.



A) Nutzen Sie die von Ihrer Kommune eingerichtete Sammelstelle zur Rückgabe und Verwertung elektrischer und elektronischer Altgeräte.

B) Ihr lokaler Händler beim Kauf eines neuen Produkts.

C) Der Hersteller kann das Altgerät zur Entsorgung annehmen.

D) Alte Geräte enthalten manchmal wertvolle Ressourcen für Altmetallhändler.



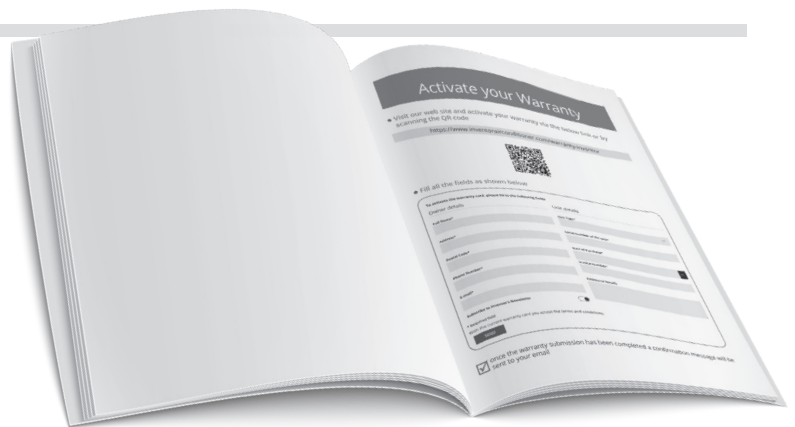
## 4. VOR DER ERSTEN BENUTZUNG

Bedienungsanleitung



Mini-Kühlschrank

Finden Sie bitte die elektronischen  
Garantieanweisungen  
auf der letzten Seite (im  
Deutschsprachigen Teil) dieser  
Bedienungsanleitung.



Für die Garantieeinreichung  
sollten Sie das SN-Nummernfeld  
ausfüllen. Dieses finden Sie auf  
der Rückseite des Gerätes.

## 5. LERNEN SIE IHREN MINI-KÜHLSCHRANK KENNEN



- 1.** Thermostat **2.** Abtau-Tablett **3.** Innenbeleuchtung **4.** Regal  
**5.** Obst- und Gemüseschale **6.** Türfächer **7.** Flaschenhalter  
**8.** Wechselbarer Türanschlag **9.** Verstellbarer Standfuß **10.** Netzkabel



## 6. EIGENSCHAFTEN DES MINI-KÜHLSCHRANKS

MODELLNAME	MP864W	MP862SEC/MP862S-BS /MP862S
Kategorie	MINI-KÜHLSCHRANK	MINI-KÜHLSCHRANK
Farbe	Weiß	Silber
Nettonutzinhalt (L)	93	93
Energieklasse	F	F
Stromverbrauch (kWh/annum)	107	107
Stromversorgung (V/Hz/Ph)	220-240-/50/1	220-240-/50/1
Klimaklasse	N/ST/T	N/ST/T
Kältemittel/Masse (Kg)	R600a/24	R600a/24
Geräuschpegel [dB(A)]	41	41
Produktabmessungen (BxTxH) (mm)	472x450x860	472x450x860
Nettogewicht (Kg)	20.3	20.3
Anzahl der Regale	3	3
Innenbeleuchtung	JA	JA
Netzkabellänge (mm)	1700	1700
Wechselbarer Türanschlag	JA	JA
Einbau Möglichkeit	NEIN	NEIN

Stellen Sie das Gerät an einem Ort auf, an dem die Umgebungstemperatur der Klimaklasse entspricht, für die dieses Gerät ausgelegt ist. Sie finden die Klimaklasse auf dem Typenschild. Die folgende Tabelle zeigt die Klimaklassifikation und ihre passende Umgebungstemperatur:

Tabelle 1 Klimaklassen

Klass	Symbol	Interval Temperatura ambiental <sup>a</sup> °C
Erweiterte Temperatur	SN	+ 10 to + 32
Temperatur	N	+ 16 to + 32
Subtropisch	ST	+ 16 to + 38
Tropisch	T	+ 16 to + 43

Erweiterte Temperatur: "Dieses Kühlgerät ist für den Einsatz bei Umgebungstemperaturen im Bereich von 10°C bis 32°C"

Temperiert: "Dieses Kühlgerät ist für den Einsatz bei Umgebungstemperaturen von 16°C bis 32°C"

Subtropisch: ' dieses Kühlgerät ist für den Einsatz bei Umgebungstemperaturen von 16 °C bis 38 °C vorgesehen"

Tropisch:' dieses Kühlgerät ist für den Einsatz bei Umgebungstemperaturen von 16°C bis 43°C"

## Innenmaße (mm)

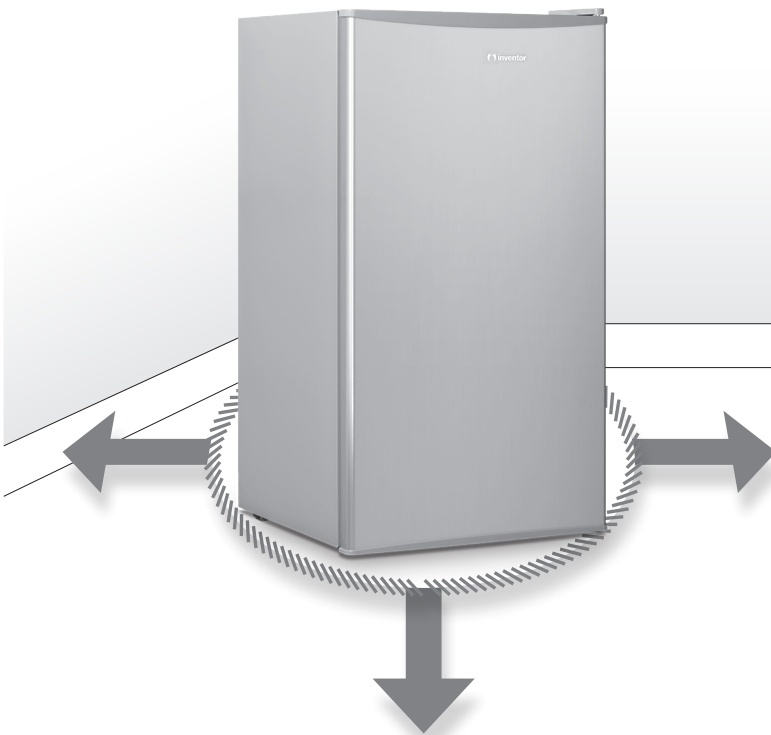


\*Es können Abweichungen in den oben genannten Abmessungen sein. Sehen Sie sich das erworbene Produkt an.

## 7. INSTALLATIONSANLEITUNG

### Positionierung

Bei der Positionierung des Gerätes ist zu beachten, dass der Boden flach und stabil sein muss, und der Raum gut belüftet wird, ohne zusätzliche Heizquellen in der Nähe.



**1.** Eine ausreichende Belüftung des Gerätes zulassen. Das hintere Ende (Rückseite) dieses Gerätes sollte an einer Wand stehen, die eine ausreichende Belüftung wie folgt ermöglicht:

- 10cm von oben
- 10cm von hinten
- 10cm von den restlichen Seiten

**2.** Warten Sie mindestens 4 Stunden, bevor Sie das Gerät an die Stromversorgung anschließen, damit sich alle Flüssigkeiten im Kompressor absetzen können.



**3.** Bei der ersten Inbetriebnahme 24 Stunden lang kontinuierlich arbeiten lassen, damit die richtige Temperatur erreicht wird und ein reibungsloser Betrieb des Gerätes gewährleistet werden kann.

## Wechselbarer Türanschlag

Der Türanschlag kann nach Bedarf auf die linke oder rechte Seite gewechselt werden, je nachdem, was am besten für ihren Standort geeignet ist. Stellen Sie sicher, dass genügend Platz vorhanden ist, um die Tür komplett zu öffnen. Um den Türanschlag zu ändern, folgen Sie bitte den unten aufgeführten Anweisungen:



**Benötigte Werkzeuge: Schlitzschraubendreher /  
Kreuzschlitzschraubenzieher / Sechskantschlüssel**

- Vor dem Wechsel des Türanschlages, den Netzstecker aus der Steckdose ziehen und alle Produkte aus dem Kühlschrank entnehmen.



**1.** Stellen Sie der vordere Standfuß auf die höchste Position. Kippen Sie das Gerät leicht nach hinten, um die Tür abzunehmen. Stellen Sie das Gerät etwas fest, sodass es während des Türanschlagwechsels nicht rutscht.



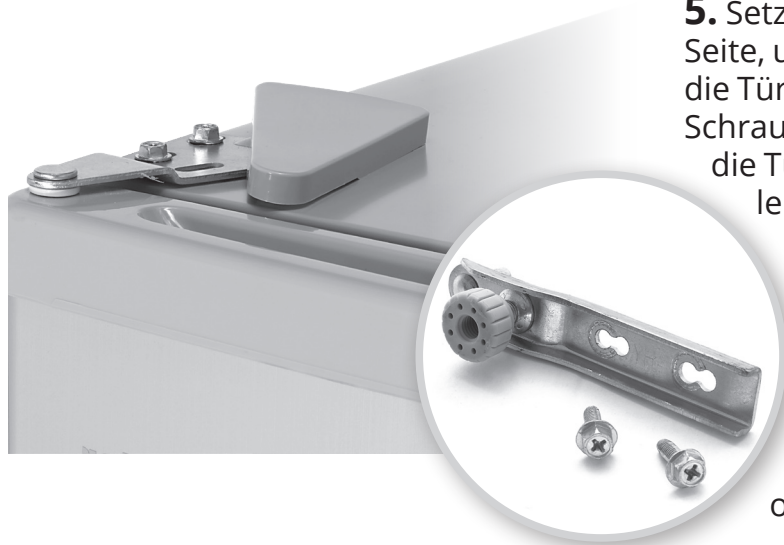
**Legen Sie das Gerät nicht flach auf den Boden, da dieses das Kühlmittelsystem beschädigen könnte.**

**2.** Entfernen Sie die Plastikabdeckung oben rechts oder links (abhängig von der ersten Türinstallationsseite) des Türscharniers. Entfernen Sie die zwei Schrauben und den Stabilisierungsstift.



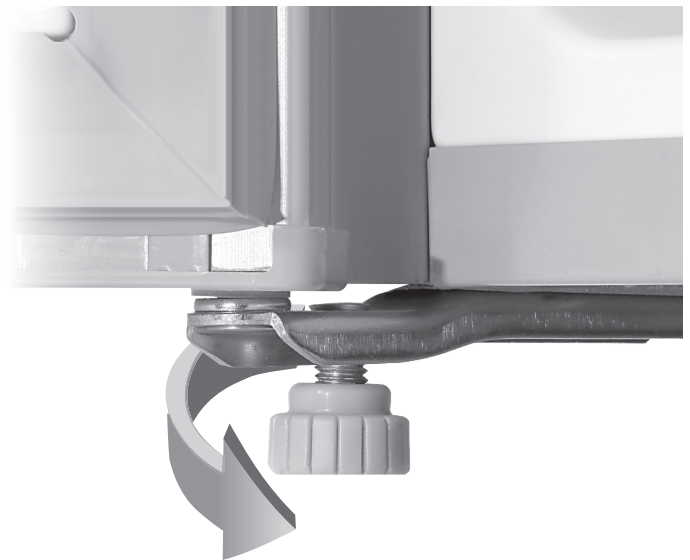
**3.** Leicht kippen, um Zugang auf den front Bodenhalter zu bekommen. Schrauben Sie die drei Schrauben unten links oder rechts (je nach der ersten Türinstallationsseite) heraus und entfernen Sie den Standfuß von der gegenüberliegenden Seite. Sobald die oberen und unteren Schrauben und auch der gegenüberliegende Standfuß entfernt sind, wird die Tür komplett freigegeben.

**4.** Entfernen Sie die drei Plastikkappen von der Seite, an der Sie die Tür installieren möchten, und befestigen Sie diese auf die Seite, wo die Tür ursprünglich installiert war, um die drei Schraubenlöcher zu bedecken.



**5.** Setzen Sie die Tür auf die gewünschte Seite, und stellen Sie sicher, dass sich die Tür in aufrechter Position befindet. Schrauben Sie die 3 oberen Schrauben in die Türscharniere. Der Kühlschrank muss leicht gekippt werden, um eine bessere Positionierung zu erreichen und um anschließend das untere Scharnier festzuschrauben. Anschließend schrauben Sie den entfernten Standfuß auf die gegenüberliegende Seite. Wenn der Vorgang abgeschlossen ist, setzen Sie die obere Plastikkappe wieder auf.

**6.** Überprüfen Sie, ob die Tür waagrecht und vertikal ausgerichtet ist und dass die Tür im geschlossenen Zustand von allen Seiten vollständig abgedichtet ist.



**7.** Abschließend das untere Scharnier festziehen und den Fuß auf der gegenüberliegenden Seite einsetzen um eine richtige Ausrichtung zu erreichen.

## Ausrichtung des Gerätes

Passen Sie der verstellbare Standfuß an der Vorderseite des Gerätes an. Wenn das Gerät nicht richtig ausgerichtet wird, können die Tür und die Magnetdichtung nicht ordnungsgemäß abgedeckt werden.



## 8. EINSTELLUNGEN

### Thermostat Temperatureinstellung

Der Thermostat befindet sich im Innenraum im oberen Teil des Kühlschranks. Die Einstellungen des Thermostaten sind folgende:

- **Einstellung "OFF"**: Der Kühlbetrieb stoppt
- **Einstellung "MIN"**: Minimale Kühlung  
Wird empfohlen, wenn die Lagermenge sehr gering ist.
- **Einstellung "MED"**: Normale Kühlung  
Wenn Sie den Kühlschrank das erste Mal in Betrieb nehmen, stellen Sie sicher, dass der Thermostat auf die MED-Einstellung eingestellt ist, und warten Sie 24 Stunden, bevor Sie Produkte einlegen.
- **Einstellung "MAX"**: Maximale Kühlung  
Wenn eine große Menge von Produkten eingelegt werden oder wenn die Außentemperatur hoch ist, kann der Thermostatkopf für eine kurze Zeit auf seine höchste Position gestellt werden.



**Zur Bestimmung der korrekten Temperaturregelung beachten Sie Folgendes:**

- ✓ Zimmertemperatur
- ✓ Wie häufig die Kühlschranktür geöffnet wird
- ✓ Die Menge der gelagerten Produkte
- ✓ Position (Standort) des Gerätes



## 9. WARTUNG & REINIGUNG



Vor der Reinigung des Gerätes den Stecker aus der Steckdose ziehen und alle Regale entfernen.

- Reinigen Sie das Gerät mit einem feuchten, weichen Tuch. Nur neutrale Reinigungsmittel verwenden.
- Reinigen Sie das Innere des Gerätes mit einer schwachen Bikarbonat - Sodalösung und spülen Sie diese mit einem feuchten Schwamm oder einem Tuch ab, das in warmem Wasser getaucht wurde.
- Verwenden Sie ein feuchtes Tuch, um das Äußere des Kühlschranks zu reinigen. Halten Sie die Tür geschlossen, um zu vermeiden, dass Polituren auf die Magnetdichtung der Tür oder in das Innere des Kühlschranks gelangen.
- Nach der Reinigung des Innenraums, mit klarem Wasser abspülen und abtrocknen.

- Das Gerät ca. 1 bis 2 Stunden trocknen lassen.
- Stellen Sie den Thermostat auf die mittlere Einstellung. Stecken Sie den Netzstecker in die Steckdose. Das Gerät kühlt sich kontinuierlich ab, bis die eingestellte Temperatur erreicht ist.
- Häufig müssen die Lüftungsschlitze und der Kondensator am hinteren Ende des Gerätes mit einem Staubsauger oder einer Bürste gereinigt werden. Der Kondensator sollte immer saubervon Staub oder anderen Verunreinigungen gehalten werden.



**Reinigen Sie  
den Innenraum  
des Gerätes  
EINMAL  
IM MONAT**



- **Verwenden Sie keine aggressiven Reinigungsmittel, Scheuermittel, Lösungsmittel oder Metallgegenstände. Verwenden Sie keinen Wassersprühstrahl und Dampf, um das Gerät zu reinigen.**
- **Verwenden Sie keine zu feuchten Reinigungstücher. Jede Feuchtigkeit um die elektrischen Komponenten sollte vermieden werden.**
- **Die Verwendung eines Dampfreinigers ist verboten, da dies sehr gefährlich sein kann.**

## Abtauen

Es wird empfohlen, die Kühlbox abzutauen, wenn 3-4mm Frost angesammelt wurden. Um den Abtauvorgang durchzuführen, sollten Sie folgende Schritte durchführen:

1. Netzstecker ziehen.
2. Gerät entleeren.
3. Halten Sie die Tür offen, während der Abtauvorgang läuft.
4. Vergewissern Sie sich, dass der Innenraum frostfrei ist, und reinigen Sie die Kühlbox mit einem weichen Tuch.
5. Stecken Sie den Netzstecker wieder in die Steckdose und lassen Sie das Gerät für ca. 4 Stunden laufen. Anschließend können Sie wieder die Produkte im inneren platzieren.

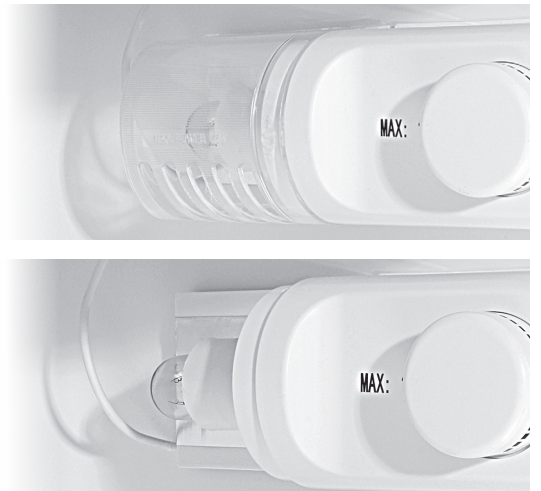


- **Verwenden Sie niemals scharfe oder metallische Gegenstände, um Frost während des Abtauvorgangs zu entfernen**
- **Verwenden Sie keine mechanischen Geräte oder Instrumente, um den Abtauvorgang zu beschleunigen, ohne vorher den Hersteller zu konsultieren**

## Innenbeleuchtung

Dank der Innenbeleuchtung haben Sie einen besseren Einblick auf die gelagerten Produkte. Falls die Glühlampe des Kühlschranks ausgetauscht werden muss, können Sie diese selber wechseln, indem Sie folgende Schritte durchführen:

- Ziehen Sie den Netzstecker aus der Steckdose
- Entfernen Sie die Abdeckung der Beleuchtung
- Überprüfen Sie, ob die Glühlampe vollständig eingeschraubt ist
- Ersetzen Sie diese durch eine Glühlampe des gleichen Typs
- Setzen Sie erneut die Abdeckung auf
- Stecken Sie den Netzstecker in die Steckdose



## 10. LAGERUNG

Wenn das Gerät über einen längeren Zeitraum nicht genutzt wird, stellen Sie bitte sicher, dass Sie die folgenden Anweisungen, für die ordnungsgemäße Lagerung befolgen:

- Schalten Sie das Gerät einen Tag vor der Lagerung aus.
- Alle Gegenstände aus dem Innenraum entfernen.
- Reinigen Sie die abnehmbaren Teile des Gerätes.
- Lassen Sie die Tür offen, um unangenehme Gerüche zu vermeiden.
- Das Gerät abdecken.
- Lagern Sie den Kühlschrank in aufrechter Position, in einem trockenen, gut belüfteten Bereich und vermeiden Sie direkte Sonneneinstrahlung.

## 11. TIPPS

- ✓ Stellen Sie die Produkte nicht zu nah beieinander auf. Achten Sie auf einen ausreichenden Abstand für eine optimale Luftzirkulation im Kühlschrank.
- ✓ Vermeiden Sie ein häufiges Öffnen der Tür bei nassem und heißem Wetter. Achten Sie beim Öffnen der Tür diese schnell wieder zu schließen.
- ✓ Die Produkte sollten nicht direkt an die Wand des Kühlschranks gestellt werden. Lassen Sie immer etwas Platz dazwischen.
- ✓ Legen Sie niemals heiße oder warme Produkte in den Kühlschrank. Lassen Sie diese erst abkühlen.
- ✓ Stellen Sie sicher, dass die Wand hinter dem Gerät schmutz- und staubfrei ist, besonders bei Geräten, die mit einer äußeren Kondensatoreinheit ausgestattet sind.
- ✓ Setzen Sie keine Produkte direkt unter die Kühlbox, die nicht versiegelt oder gut verpackt sind.

## 12. FEHLERBEHEBUNG

<b>PROBLEM</b>	<b>URSACHE / ABHILFE</b>
<b>Gerät funktioniert nicht</b>	Der Netzstecker ist nicht in der Steckdose. Stecken Sie den Netzstecker in die Steckdose.
<b>Beleuchtung funktioniert nicht</b>	Glühlampe defekt. Wechseln Sie die Glühlampe aus, wie im Abschnitt "WARTUNG & REINIGUNG" empfohlen wird.
<b>Die Temperatur im Kühlschrank ist zu hoch oder zu niedrig</b>	Thermostat wurde falsch eingestellt. Stellen Sie den Thermostat richtig ein.
<b>Kondensation erscheint auf der Außenseite des Gerätes</b>	Dies kann durch eine Änderung der Raumtemperatur verursacht werden. Verwenden Sie ein weiches Tuch, um die Kondensation abzutrocknen. Falls das Problem weiterhin bestehen bleibt, wenden Sie sich an einen zertifizierten Techniker.
<b>Geruch</b>	1) Produkte werden nicht in versiegelten Behältern aufbewahrt 2) Es befinden sich verdorbene Produkte im Inneren des Kühlschranks 3) Der Innenraum des Kühlschranks muss gereinigt werden

---

**Das Gerät verursacht ein Geräusch**

- 1) Die Kältemittelflüssigkeit verursacht Geräusche im Kühlsystem.
- 2) Ein Geräusch wird erzeugt, während der Kompressor arbeitet, da Kältemittelflüssigkeit innerhalb des Gerätes gepumpt wird.
- 3) Vergewissern Sie sich, dass der Kühlschrank richtig aufgestellt und ausgerichtet ist.
- 4) Produkte wurden falsch im Kühlschrank platziert. Legen Sie die Produkte korrekt in den Kühlschrank.
- 5) Prüfen Sie, ob sich die Komponenten des Kühlschranks, in der richtigen Position befinden.

---

**Die Kühlschranktür kann nicht richtig geschlossen werden**

- Vergewissern Sie sich, dass keine Gegenstände die Tür blockieren.
- Stellen Sie sicher, dass der Kühlschrank nicht überfüllt ist.
- Stellen Sie sicher, dass der Kühlschrank keine Neigung hat.

---

**Langzeitbetrieb des Kompressors**

- Es ist normal, wenn der Kompressor bei hohen Umgebungstemperaturen lange läuft.
- Vermeiden Sie Überfüllung.
- Lassen Sie warme und heiße Produkte erst abkühlen, bevor Sie diese in den Kühlschrank stellen.
- Vermeiden Sie das häufige Öffnen der Tür.

---

**Es hat sich Eis um die Kühlbox gebildet:**

- Folgen Sie dem "Abtau Prozess" wie unter Abschnitt 9 Beschrieben
-

Die bestellten Teile in der folgenden Tabelle können bei Inventor bezogen werden:

<b>Gewünschte Teile</b>	<b>Bereitgestellt von</b>	<b>Mindestens erforderliche Zeit</b>
Thermostate	Fachkundiges Wartungspersonal	Mindestens 7 Jahre, nachdem das letzte Modell auf den Markt gekommen ist
Temperatursensoren	Fachkundiges Wartungspersonal	Mindestens 7 Jahre, nachdem das letzte Modell auf den Markt gekommen ist
Gedruckte Leiterplatten	Fachkundiges Wartungspersonal	Mindestens 7 Jahre, nachdem das letzte Modell auf den Markt gekommen ist
Lichtquellen	Fachkundiges Wartungspersonal	Mindestens 7 Jahre, nachdem das letzte Modell auf den Markt gekommen ist
Tür Griffen	Professionelle Reparaturbetriebe und/ oder Endbenutzer	Mindestens 7 Jahre, nachdem das letzte Modell auf den Markt gekommen ist
Türscharniere	Professionelle Reparaturbetriebe und/ oder Endbenutzer	Mindestens 7 Jahre, nachdem das letzte Modell auf den Markt gekommen ist
Schalen	Professionelle Reparaturbetriebe und/ oder Endbenutzer	Mindestens 7 Jahre, nachdem das letzte Modell auf den Markt gekommen ist
Eimer	Professionelle Reparaturbetriebe und/ oder Endbenutzer	Mindestens 7 Jahre, nachdem das letzte Modell auf den Markt gekommen ist
Türdichtungen	Professionelle Reparaturbetriebe und/ oder Endbenutzer	Mindestens 7 Jahre, nachdem das letzte Modell auf den Markt gekommen ist

Die Abbildungen in diesem Handbuch dienen lediglich zur Erläuterung der Funktionen. Die tatsächliche Form der Einheit, die Sie gekauft haben, kann etwas abweichen, aber die Bedienung und Funktionen sind gleich.

Das Unternehmen übernimmt keinerlei Haftung für eventuell in diesem Dokument enthaltene falsch gedruckte Informationen. Der Inhalt dieses Handbuchs und die technischen Daten dieses Produkts können für Verbesserungsgründe ohne Vorankündigung geändert werden.

Bitte wenden Sie sich an den Hersteller unter +30 211 300 3300 oder an die Verkaufagentur, um weitere Informationen zu erhalten. Alle zukünftigen Aktualisierungen des Handbuchs werden auf die Service-Website hochgeladen. Es wird empfohlen, immer nach der neuesten Version zu suchen.



Scannen Sie bitte hier, um die neueste Version dieses Handbuchs herunterladen zu können.  
[www.inventorappliances.com/de/medienbibliothek](http://www.inventorappliances.com/de/medienbibliothek)

# Aktivieren Sie Ihre Garantie

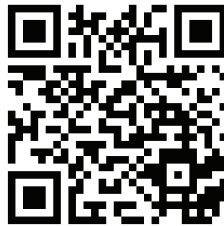
Die Garantie kann mit den folgenden Schritte aktiviert werden:

## 1 Schritt

Besuchen Sie unsere Webseite über den unten stehenden Link:

<http://www.inventorappliances.com/garantie>

oder durch Scannen des folgenden QR-Code:



## 2 Schritt

Füllen Sie alle Felder aus, wie nachfolgend dargestellt:

Um die Garantie zu aktivieren, füllen Sie bitte die folgenden Felder aus

Eigentümerangabe	Geräte Angaben
Vor- und Nachname	Geräteart
Adresse*	Seriennummer des Geräts*

## 3 Schritt

Klicken Sie an SENDEN an der linken Seite des Garantie Antrags:

E-mail\*

Abonnieren Sie den Newsletter von Inventor

**SENDEN** Lesen Sie unsere Geschäftsbedingungen.

Sobald der Garantieantrag eingegangen ist, wird Ihnen eine Bestätigungsnachricht an Ihre E-Mail-Adresse gesendet

## 4 Schritt

Sie erhalten eine Bestätigungsnachricht an Ihre E-Mail-Adresse. Wenn dies nicht der Fall ist, bitte überprüfen Sie auch den Spam-folder

## 5 Schritt

Ihre Inventor-Garantie ist erfolgreich aktiviert!

Cher consommateur,

Félicitations pour votre choix !

Le Mini-Réfrigérateur Inventor peut répondre à plusieurs besoins et demandes, satisfaisant non seulement le logement étudiant mais aussi tout l'équipement d'un hôtel.

Sa Classe Énergétique F, sa faible consommation d'énergie et son design moderne expliquent bien pourquoi le Mini Réfrigérateur Inventor est la solution idéale !

Veillez-vous reporter à ce manuel, à travers les lignes directrices incluses dans les pages suivantes, pour obtenir la performance efficace du Mini Réfrigérateur et faire des économies grâce à l'utilisation intelligente de cet appareil.

# TABLE DES MATIÈRES

1. CONSIGNES DE SÉCURITÉ ET AVERTISSEMENTS .....	81
2. SÉCURITÉ ÉLECTRIQUE .....	83
3. CONSIGNES IMPORTANTES EN MATIÈRE D'ENVIRONNEMENT.....	63
4. ÉTAPES AVANT L'UTILISATION .....	84
5. VOTRE MINI RÉFRIGÉRATEUR .....	85
6. CARACTÉRISTIQUES DU MINI-RÉFRIGÉRATEUR .....	86
7. GUIDE D'INSTALLATION.....	87
8. RÉGLAGES.....	91
9. ENTRETIEN ET NETTOYAGE .....	92
10. STOCKAGE .....	93
11. CONSEILS.....	94
12. DÉPANNAGE .....	94



# 1. CONSIGNES DE SÉCURITÉ ET AVERTISSEMENTS

- Il n'est pas recommandé aux enfants de moins de 8 ans d'utiliser cet appareil. Assurez-vous que les enfants de 8 ans et plus et les personnes ayant des capacités physiques, sensorielles ou mentales réduites ou dénuées d'expérience ou de connaissance, sont supervisés et comprennent l'utilisation et les dangers inhérents. Les enfants ne doivent pas effectuer le nettoyage et la maintenance de cet appareil sans surveillance.
- Il est important qu'une supervision adéquate soit fournie et qu'aucun mineur ne soit laissé sans surveillance avec cet appareil.
- Ce réfrigérateur est destiné à être utilisé dans les applications domestiques et similaires, telles que :
  - 1) Agritourismes ; locaux de cuisine dans les magasins, bureaux et autres lieux de travail ;
  - 2) Par les clients dans les hôtels, les motels, les chambres d'hôtes et autres environnements de type résidentiel.
- N'installez pas l'appareil dans des zones trop humides ou trop froides, telles que les cabines préfabriquées, les garages ou les celliers à vin.
- Cet appareil doit toujours être maintenu en position verticale pour éviter tout dommage
- Si le cordon d'alimentation est endommagé, il doit être remplacé par le fabricant, son agent de service ou des personnes qualifiées pour éviter tout danger.
- N'essayez jamais de démonter, de réparer ou de modifier l'appareil.
- Les ouvertures de ventilation, dans l'enceinte de l'appareil et dans la structure intégrée, doivent être exemptes d'obstructions. Des dispositifs mécaniques ou d'autres moyens de dégivrage accéléré ne doivent pas être utilisés, seules les méthodes recommandées par le fabricant doivent être appliquées.
- Étant donné que cet appareil est lourd, soyez toujours prudents lors de la relocalisation, des gants de sécurité sont recommandés.
- Lorsque vous déménagez cet appareil, levez légèrement de l'avant, afin d'éviter tout dommage au sol.
- N'essayez pas de réparer, de démonter ou de modifier cet appareil. Contactez votre technicien agréé pour la réparation ou la maintenance de cet appareil.
- Ne pas utiliser cet appareil en allumant ou éteindre l'alimentation principale.
- Pendant le fonctionnement, ne pas toucher le compresseur ou le condenseur, soyez prudent car ils sont chauds.
- Ne placez pas d'objets lourds sur le cordon d'alimentation. Assurez-vous que le cordon n'est pas comprimé.
- Ne placez pas le cordon sous aucun obstacle (tapis etc.). Le cordon doit être disposé loin des zones où un déclenchement accidentel peut se produire.
- Ne pas utiliser de dispositifs électriques à l'intérieur des compartiments du stockage de nourriture, excepté s'ils sont du même type recommandé par le fabricant.
- Ne pas stocker dans cet appareil des substances explosives telles que des aérosols avec un propulseur inflammable.
- Le circuit de réfrigérant devrait rester intact. En cas de dommage, soyez extrêmement prudent de toute flamme ou source d'inflammation. Ventiler la pièce.
- Ne vous asseyez pas ou ne montez pas sur l'appareil.
- Ne placez pas l'appareil sous la lumière directe du soleil ou à proximité d'autres sources de chauffage, comme les radiateurs, les cuisinières, les fours ou les plaques de cuisson.
- Ne pas utiliser l'appareil à proximité de sources de chaleur, de produits chimiques, de radiateurs, de matériaux inflammables ou d'incendie.

- Ouvrir la porte pendant de longues périodes peut entraîner une augmentation significative de la température dans les compartiments de l'appareil.
- Nettoyez régulièrement les surfaces susceptibles d'entrer en contact avec les aliments et les systèmes de drainage auxquels vous avez accès.
- Nettoyez les compartiments d'eau s'ils n'ont pas été utilisés pendant 48 heures, rincez le système d'eau relié à l'alimentation en eau si l'eau n'a pas été puisée pendant 5 jours. (note 1)
- Conservez la viande et le poisson crus dans des récipients appropriés au réfrigérateur, de manière à ce qu'ils ne soient pas en contact avec d'autres aliments.
- Les compartiments pour aliments surgelés à deux étoiles sont adaptés au stockage d'aliments pré-congelés, à la conservation de glaces et de glaçons. (note 2)
- Les compartiments à une, deux et trois étoiles ne sont pas adaptés à la congélation des aliments frais. (note 3)
- Si l'appareil frigorifique est laissé vide pendant de longues périodes, éteignez, dégivrez, nettoyez, séchez et laissez la porte ouverte pour éviter le développement de moisissures dans l'appareil.
- Pour les appareils sans compartiment 4 étoiles : cet appareil frigorifique n'est pas adapté à la congélation . (note 4)
- Les notes 1,2,3,4: Please confirment si elle est applicable en fonction du type de compartiment de votre produit.
- Pour un appareil autonome : cet appareil de réfrigération n'est pas destiné à être utilisé comme appareil encastré.
- Faites particulièrement attention aux portes ou couvercles munis de serrures et de clés, car les clés doivent être conservées hors de portée des enfants et non à proximité de l'appareil frigorifique, afin d'éviter que des mineurs ne soient accidentellement enfermés à l'intérieur. Tout remplacement ou entretien des lampes LED doit être effectué par le fabricant, son agent de service ou une personne qualifiée similaire.

## 2. SÉCURITÉ ÉLECTRIQUE

- La plaque signalétique, avec toutes les données électriques et techniques de cet appareil, est située sur le panneau arrière.
- L'appareil doit être installé conformément à la réglementation nationale sur le câblage.
- Assurez-vous que l'appareil est correctement mis à la terre. Une mise à la terre appropriée est importante car elle minimise les risques de chocs électriques ou d'incendie. Le cordon d'alimentation est équipé d'une fiche de mise à la terre pour une protection contre les chocs électriques.
- L'appareil doit être utilisé dans une prise murale correctement mise à la terre. Si la prise spécifique que vous avez l'intention d'utiliser n'est pas correctement mise à la terre ou protégée par un fusible à retardement ou un disjoncteur, demandez à un électricien qualifié d'installer la prise appropriée.
- Assurez-vous que la prise murale est toujours accessible après l'installation du réfrigérateur.
- N'utilisez pas de rallonges ou d'adaptateurs avec cet appareil.
- Assurez-vous de ne pas endommager les composants électriques (p. Ex. Fiche principale, câble principal, compresseur). Contactez le Service ou un électricien pour changer les composants électriques.
- Pour éviter les blessures corporelles, débranchez toujours l'appareil de l'alimentation électrique avant la maintenance.



**Mettez le réfrigérateur hors tension avant de retirer la fiche. Ne débranchez pas la fiche de la prise murale en tirant sur le cordon.**

## 3. CONSIGNES IMPORTANTES EN MATIÈRE D'ENVIRONNEMENT

Mise au rebut du matériel non utilisé:

Suivez les instructions ci-dessous, lors de l'utilisation de ce réfrigérateur dans les pays européens.

● Cet appareil nécessite un traitement spécial pour l'élimination. Dans l'Union européenne, les équipements électroniques ne doivent pas être considérés comme des déchets domestiques, mais doivent être éliminés conformément à la directive 2002/96 / CE du Parlement européen et du Conseil du 27 janvier 2003 concernant les anciens équipements électriques et électroniques. La mise au rebut de cet appareil devrait respecter toutes les exigences légales et ne doit pas être éliminé en tant que déchets municipaux non triés.

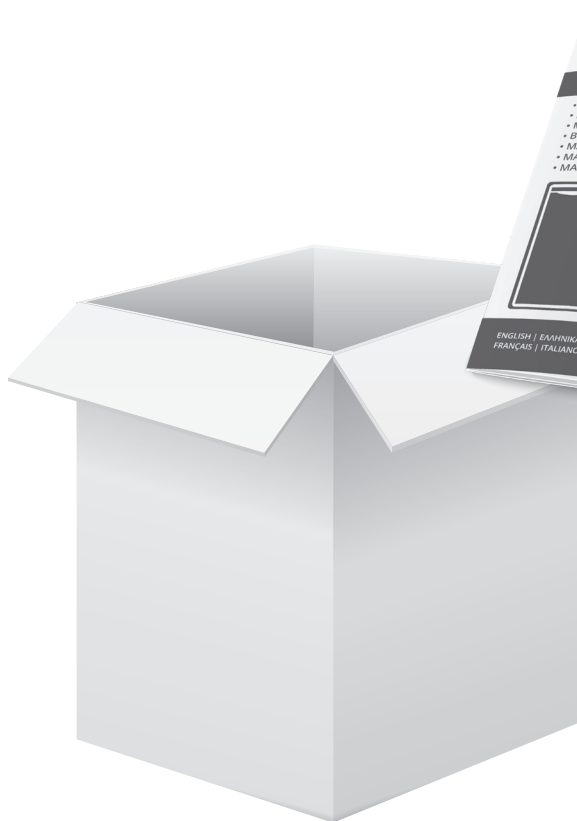
Les substances dangereuses peuvent entrer l'approvisionnement en eau souterraine en entrant dans la chaîne alimentaire, mettant en danger votre santé et l'environnement.

● Il existe plusieurs solutions alternatives pour l'élimination. Veuillez retirer toutes les portes avant l'élimination pour éviter le piégeage accidentel des enfants.



- A) Votre municipalité locale a mis en place des systèmes de collecte gratuits pour les déchets électroniques.
- B) Votre détaillant local à l'achat d'un nouveau produit.
- C) Le fabricant peut accepter l'ancien appareil pour l'élimination.
- D) Les vieux appareils contiennent parfois des ressources précieuses pour les ferrailleurs.

## 4. ÉTAPES AVANT L'UTILISATION

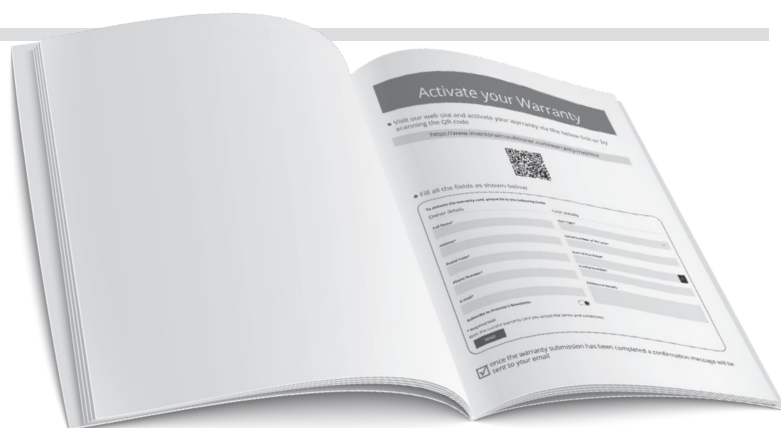


Manuel  
d'Utilisateur



Mini Réfrigérateur

Veillez trouver les  
instructions de garantie  
électronique sur la dernière  
page (section française) de  
ce manuel.



Pour la soumission de la garantie,  
vous devez remplir le champ  
numéro SN. Trouvez-le à l'arrière  
de l'appareil.

## 5. VOTRE MINI RÉFRIGÉRATEUR



- 1.** Thermostat **2.** Bac de Récupération **3.** Éclairage Intérieur **4.** Clayette  
**5.** Bac à fruits et légumes **6.** Compartiments de Porte **7.** Porte-bouteille  
**8.** Porte Réversible **9.** Pied Réglable **10.** Cordon d'Alimentation



## 6. CARACTÉRISTIQUES DU MINI-RÉFRIGÉRATEUR

NOM DU MODÈLE	MP864W	MP862SEC/MP862S-BS /MP862S
Catégorie	MINI RÉFRIGÉRATEUR	MINI RÉFRIGÉRATEUR
Couleur	Blanc	Argent
Volume de Stockage Total (L)	93	93
Classe Énergétique	F	F
Consommation Énergétique (kWh/an)	107	107
Alimentation (V/Hz/Ph)	220-240-/50/1	220-240-/50/1
Classe Climatique	N/ST/T	N/ST/T
Réfrigérant/Masse (g)	R600a/24	R600a/24
Niveau Sonore [dB(A)]	41	41
Dimensions du Produit sans Emballage (LxPxH) (mm)	472x450x860	472x450x860
Poids Net (Kg)	20.3	20.3
Nombre de Clayettes	3	3
Lumière Intérieure	OUI	OUI
Longueur du Cordon d' Alimentation (mm)	1700	1700
Porte Réversible	OUI	OUI
Encastrable	NON	NON

Placez l'appareil dans un endroit où la température ambiante correspond à la classification climatique pour laquelle il est conçu. Vous pouvez trouver la classification climatique sur la plaque signalétique. Le tableau suivant présente la classification climatique et la température ambiante adéquates:

Tableau 1 Classes climatiques

Classe	Symbole	Plage de température ambiante °C
Température étendue	SN	+ 10 to + 32
Température	N	+ 16 to + 32
Subtropicale	ST	+ 16 to + 38
Tropicale	T	+ 16 to + 43

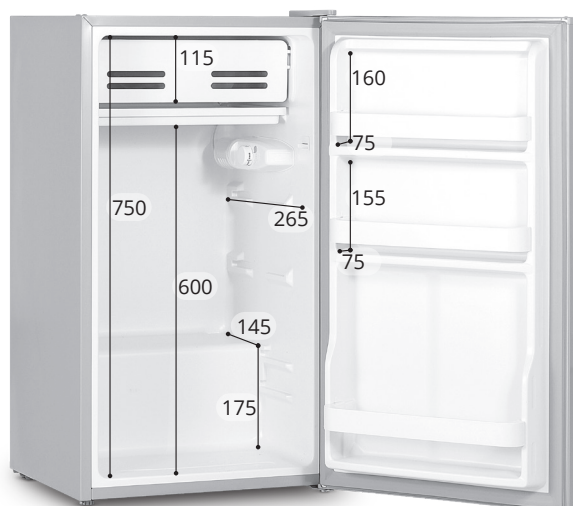
Tempéré étendu : "cet appareil de réfrigération est destiné à être utilisé à des températures ambiantes comprises entre 10°C et 32°C".

"Tempéré : 'cet appareil de réfrigération est destiné à être utilisé à des températures ambiantes comprises entre 16°C et 32°C".

"Subtropical: ' cet appareil de réfrigération est destiné à être utilisé à des températures ambiantes allant de 16 °C à 38 °C".

"Tropical: ' cet appareil de réfrigération est destiné à être utilisé à des températures ambiantes comprises entre de 16°C à 43°C"

## Dimensions Intérieures (mm)

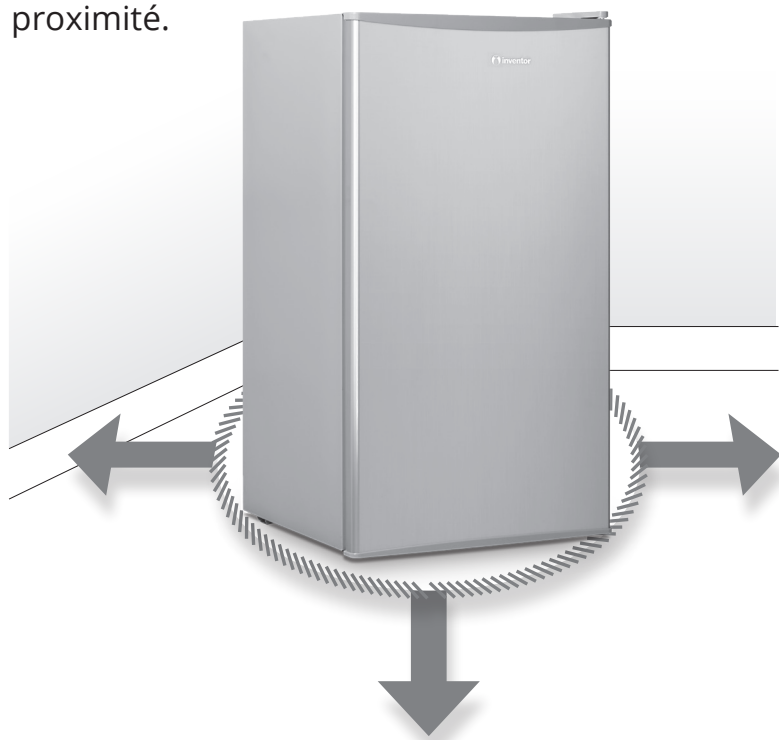


\*Il peut y avoir une divergence sur les valeurs ci-dessus. Reportez-vous au produit que vous avez acheté.

## 7. GUIDE D'INSTALLATION

### Positionnement de l'appareil

Lors du positionnement de cette unité, gardez à l'esprit que le sol doit être plat et robuste, et la pièce doit être bien ventilée, sans sources de chauffage supplémentaires à proximité.



**1.** Permettre une ventilation suffisante autour de l'appareil. L'extrémité arrière de cet appareil doit se tenir contre un mur permettant une ventilation suffisante comme suit :

- ➔ 10cm au-dessus
- ➔ 10cm à l'arrière
- ➔ 10cm sur les autres côtés

**2.** Attendez au moins 4 heures avant de brancher l'appareil à l'alimentation électrique, ce qui permet à tous les fluides de se stabiliser dans le compresseur.



**3.** Lors de l'utilisation initiale, laissez l'appareil opérer en continu pendant 24 heures, ce qui garantit une température correcte et un bon fonctionnement de l'unité.

## Porte Réversible

Vous pouvez inverser le sens de l'ouverture de la porte vers la gauche ou vers la droite selon ce qui convient le mieux à son emplacement. Assurez-vous qu'il y a suffisamment d'espace pour que la porte s'ouvre complètement. Pour modifier le sens d'ouverture de la porte, suivez les instructions ci-dessous:



**Outils requis:**

**Tournevis / tête à fente Tournevis / clé hexagonale**

- Avant d'inverser le sens de la porte, débranchez l'appareil de l'alimentation et retirez les produits du réfrigérateur.





**1.** Ajustez le pied de nivellement à leur position la plus haute. Inclinez légèrement l'appareil vers l'arrière pour retirer la porte. Reposez l'appareil sur quelque chose de solide afin qu'il ne glisse pas pendant le processus d'inversion de la porte.



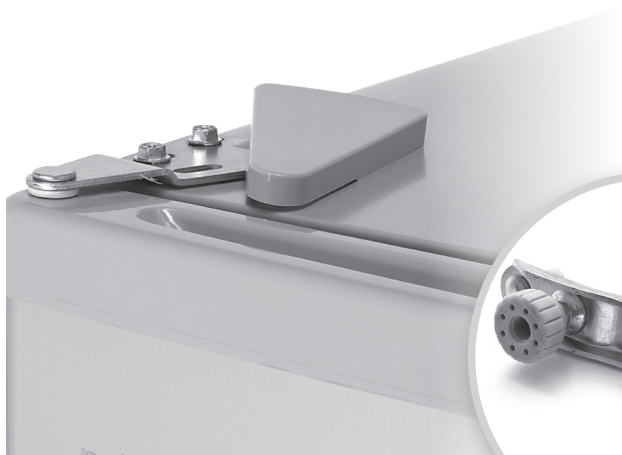
**Ne posez pas l'appareil à plat car cela pourrait endommager le système de refroidissement**

**2.** Retirez le couvercle en plastique situé en haut à droite ou à gauche (selon le côté d'installation initiale de la porte) de la charnière de la porte et dévissez les deux vis avec la goupille de stabilisation.

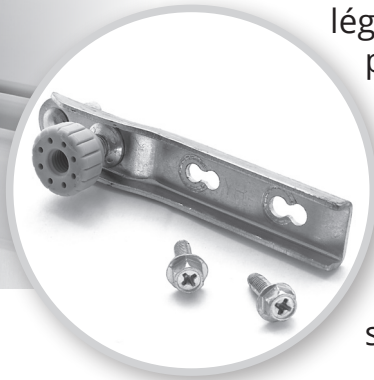


**3.** Inclinez légèrement afin que vous puissiez avoir accès au support inférieur du réfrigérateur. Dévissez les deux vis situées en bas à gauche ou à droite (selon le côté d'installation initiale de la porte) et retirez le pied du côté opposé. Une fois que les vis supérieure et inférieure et le pied opposé sont retirés, la porte sera complètement relâchée.

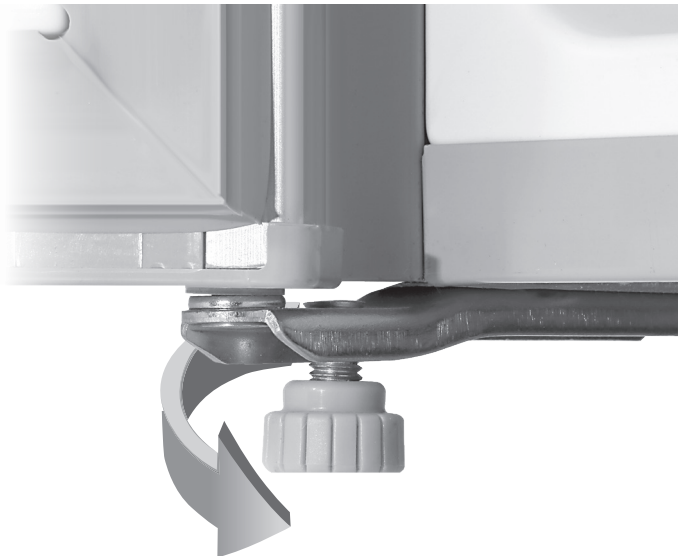
**4.** Retirez les trois bouchons en plastique du côté que vous installez la porte et placez-les sur le côté où la porte a été installée initialement pour couvrir les trois trous de vis.



**5.** Placez la porte sur le côté désiré en vous assurant qu'elle est dans sa position verticale. Vissez les 2 premières vis de la charnière de la porte. Inclinez légèrement pour un meilleur positionnement, vissez la charnière inférieure en place et le pied enlevé de l'autre côté. Une fois terminée la procédure d'inversion du sens de la porte, positionnez le couvercle plastique de la charnière supérieure.



**6.** Vérifiez si la porte est alignée horizontalement et verticalement et que la porte est fermée complètement de tous les côtés.



**7.** Enfin, serrez la charnière inférieure et réajustez le pied sur le côté opposé pour un nivellement correct.

## Nivellement de l'Appareil

Ajustez le pied de nivellement à l'avant de l'appareil. Si l'appareil n'est pas bien positionné, l'alignement de la porte et le joint magnétique sont affectés, ce qui empêche l'appareil de fonctionner correctement.



## 8. RÉGLAGES

### Réglage de la température du thermostat

Le thermostat est situé à l'intérieur sur la partie supérieure du réfrigérateur. Les niveaux de réglage du thermostat sont les suivants :

- **Réglage "OFF"**: la fonction de refroidissement s'arrête
- **Réglage "MIN"**: refroidissement minimal  
Il est suggéré lorsque la quantité de stockage est très faible.
- **Réglage "MED"**: refroidissement normal  
Lors de l'installation de l'appareil pour la première fois, assurez-vous de régler le thermostat sur la position MED et attendez 24 heures avant de placer des produits à l'intérieur.
- **Réglage "MAX"**: refroidissement maximal  
S'il y a une grande quantité de produits surgelés, ou si la température extérieure est élevée, la manette du thermostat peut être réglée sur sa position la plus élevée pendant une courte période.



**Pour déterminer le réglage adéquat de la température, tenez compte des facteurs suivants:**

- ✓ Température ambiante
- ✓ À quelle fréquence la porte du réfrigérateur s'ouvre
- ✓ La quantité de biens stockés
- ✓ Positionnement de l'appareil

## 9. ENTRETIEN ET NETTOYAGE



Débrancher l'appareil de la prise murale avant de procéder au nettoyage et retirer toutes les clayettes.

- Nettoyez l'appareil avec un chiffon humide et doux. N'utiliser que des détergents neutres.
- Nettoyer l'intérieur de l'unité au moyen de bicarbonate de soude et rincer à l'eau chaude en appliquant une éponge ou un chiffon humide.
- Utilisez un chiffon humide pour nettoyer l'extérieur, gardez à l'esprit que la porte doit être fermée pour éviter le polissage sur le joint magnétique de la porte ou l'intérieur de l'appareil.
- Lors du nettoyage, rincer l'intérieur à l'eau propre et sécher.

- Laisser sécher l'appareil pendant environ 1 à 2 heures.
- Réglez le thermostat sur la position moyenne. Branchez l'appareil dans une prise électrique. L'appareil refroidit en continu jusqu'à ce que la température réglée soit atteinte.
- Souvent, les fentes de ventilation et le condenseur à l'arrière de l'appareil doivent être nettoyés avec un aspirateur ou une brosse. Le condenseur doit être toujours propre, exempt de poussière ou d'autres impuretés.



Nettoyez  
l'intérieur  
de l'appareil  
**UNE FOIS  
PAR MOIS**



- **N'utilisez pas de produits abrasifs, de tampons à récurer, de solvants ou d'objets métalliques. N'utilisez pas d'eau pulvérisée et de vapeur pour nettoyer l'appareil.**
- **Ne pas utiliser d'éponges humides. Toute humidité autour des composants électriques devrait être évitée.**
- **L'utilisation d'un nettoyeur vapeur est interdite, car cela peut être très dangereuse.**

## Dégivrage

Il est recommandé de dégivrer la boîte de refroidissement lorsque le givre accumulé est de 3-4mm. Pour le processus de dégivrage, suivez les étapes suivantes:

1. Débranchez l'appareil.
2. Vider l'appareil.
3. Laisser la porte ouverte pendant le processus de dégivrage.
4. Assurez-vous que l'intérieur est exempt de givre. et nettoyez la boîte de refroidissement avec un chiffon propre et doux.
5. Rebranchez, laissez l'appareil fonctionner pendant environ 4 heures, puis rechargez-le.



- **N'utilisez jamais d'objets tranchants ou métalliques pour éliminer le gel pendant le dégivrage.**
- **N'utilisez pas d'outils mécaniques ou autres moyens pour accélérer le processus de dégivrage sans avoir préalablement consulté le fabricant.**

## Éclairage Intérieur

Grâce à l'éclairage intérieur, vous pouvez avoir un meilleur aperçu du stockage de vos produits. En cas de dysfonctionnement, vous pouvez changer vous-même l'ampoule intérieure du réfrigérateur, en suivant les étapes ci-dessous :

- tirez sur la fiche pour débrancher l'appareil
- retirez le couvercle de l'éclairage
- vérifiez si l'ampoule est complètement vissée
- remplacez la par une ampoule du même type
- remettez le couvercle
- branchez l'appareil



## 10. STOCKAGE

Lorsque l'appareil est inactif pendant une période prolongée, assurez-vous de suivre les instructions ci-dessous pour le stockage approprié de votre appareil :

- Mettez l'appareil hors tension un jour avant le stockage.
- Retirez tous les éléments du compartiment intérieur.
- Nettoyez les parties amovibles de l'appareil.
- Laissez la porte ouverte pour éviter les odeurs désagréables.
- Couvrez l'appareil.
- Rangez le réfrigérateur en position verticale, dans un endroit sec et bien ventilé et évitez les rayons directs du soleil.

## 11. CONSEILS

- ✓ Ne stockez pas d'aliments trop près les uns des autres afin de permettre une circulation d'air suffisante.
- ✓ Évitez l'utilisation intensive de la porte par temps humide et chaud ; gardez à l'esprit : une fois que la porte est ouverte, fermez-la le plus tôt possible.
- ✓ Ne placez pas d'aliments en contact direct avec la paroi arrière du réfrigérateur. Assurez-vous qu'il y a suffisamment d'espace.
- ✓ Ne jamais placer à l'intérieur de l'appareil, des aliments et des boissons chauds sans les laisser refroidir d'abord.
- ✓ Assurez-vous que le mur derrière l'appareil est exempt de saleté et de poussière, en particulier lors de l'utilisation d'un appareil équipé d'un condenseur extérieur.
- ✓ Ne placez pas de produits qui ne sont pas scellés ou bien emballés directement sous la boîte de refroidissement.

## 12. DÉPANNAGE

PROBLÈME	CAUSE PROBABLE / SOLUTION
<b>L'appareil ne fonctionne pas;</b>	L'appareil n'est pas branché. Branchez-le sur une prise.
<b>L'éclairage ne fonctionne pas</b>	Ampoule défectueuse. Remplacer l'ampoule comme indiqué dans la section "ENTRETIEN ET NETTOYAGE".
<b>La température dans le réfrigérateur est trop élevée ou trop basse</b>	Le thermostat a été configuré de manière incorrecte. Réglez correctement le thermostat.
<b>Il apparaît de la condensation sur la surface extérieure de l'unité</b>	Cela peut être dû à un changement de la température de la pièce. Utilisez un chiffon doux pour essuyer toute condensation. Si le problème persiste, contactez un technicien agréé pour obtenir de l'aide.
<b>Mauvaise Odeur</b>	1) Les aliments sont stockés dans des conteneurs plastiques scellés. 2) Il y a des aliments gâtés à l'intérieur. 3) L'intérieur doit être nettoyé

---

### **L'appareil fait du bruit**

- 1) Le liquide réfrigérant produit des bruits dans le système de refroidissement.
- 2) Le bruit est produit pendant le fonctionnement du compresseur, car le fluide frigorigène circule dans l'unité.
- 3) Assurez-vous que le réfrigérateur est nivelé et équilibré.
- 4) Les marchandises ont été placées incorrectement dans le réfrigérateur. Placez les marchandises correctement dans le réfrigérateur.
- 5) Vérifiez si les composants du réfrigérateur sont dans la bonne position.

---

### **La porte du réfrigérateur ne se ferme pas correctement**

- Assurez-vous que les objets ne bloquent pas la porte.
- Assurez-vous que le réfrigérateur n'est pas excessivement rempli.
- Assurez-vous que le réfrigérateur n'est pas incliné.

---

### **Fonctionnement à long terme du compresseur**

- Il est normal que le compresseur fonctionne longtemps à des températures ambiantes élevées.
- Éviter le débordement.
- Laisser refroidir les aliments chauds et les boissons chaudes avant de les placer dans l'appareil.
- Évitez l'ouverture fréquente de la porte.

---

### **Il y a de la glace tout autour de la boîte de refroidissement:**

- Suivez le "processus de dégivrage" mentionné à la section 9.

Les pièces commandées dans le tableau suivant peuvent être obtenues auprès d'Inventor:

<b>Pièces commandées</b>	<b>Fourni par</b>	<b>Durée minimale requise</b>
Thermostats	Personnel professionnel de maintenance	Au moins 7 ans après le lancement du dernier modèle sur le marché
Capteurs de température	Personnel professionnel de maintenance	Au moins 7 ans après le lancement du dernier modèle sur le marché
Circuits imprimés	Personnel professionnel de maintenance	Au moins 7 ans après le lancement du dernier modèle sur le marché
Sources de lumière	Personnel professionnel de maintenance	Au moins 7 ans après le lancement du dernier modèle sur le marché
Poignées de porte	Agents de réparation professionnels et/ou consommateurs	Au moins 7 ans après le lancement du dernier modèle sur le marché
Charnières de porte	Agents de réparation professionnels et/ou consommateurs	Au moins 7 ans après le lancement du dernier modèle sur le marché
Plateaux	Agents de réparation professionnels et/ou consommateurs	Au moins 7 ans après le lancement du dernier modèle sur le marché
Paniers	Agents de réparation professionnels et/ou consommateurs	Au moins 7 ans après le lancement du dernier modèle sur le marché
Joint de porte	Agents de réparation professionnels et/ou consommateurs	Au moins 7 ans après le lancement du dernier modèle sur le marché

Toutes les images du manuel sont uniquement à des fins explicatives. La forme réelle de l'appareil que vous avez acheté peut-être légèrement différente, mais les fonctions sont identiques.

La société ne peut être tenue responsable des informations mal imprimées. La conception et les spécifications du produit pour des raisons telles que l'amélioration du produit sont sujettes à modification sans préavis.

Pour plus de détails veuillez vous adresser au fabricant au numéro de téléphone +30 211 300 3300 ou à l'agence commerciale. Toute mise à jour future du manuel sera téléchargée sur notre site Web. Il est conseillé de toujours vérifier la version la plus récente.



Veuillez scanner ici pour télécharger la dernière version de ce manuel.  
[www.inventorappliances.com/fr/manuels](http://www.inventorappliances.com/fr/manuels)



# Activez votre Garantie

Veillez suivre les étapes suivantes afin d'activer votre garantie:

## ETAPE 1

Visitez notre site web via le lien:

<https://www.inventorappliances.com/fr/carte-de-garantie-de-2-ans>

ou en scannant le code QR comme suit:



## ETAPE 2

Veillez remplir tous les champs obligatoires conformément aux "Détails du propriétaire" et les "Détails de l'unité":

Pour activer la carte de garantie, veuillez remplir les champs suivants

Dé Détails du Propriétaire	Dét Détails de l'Appareil
No	Type
Adresse*	Numéro de série de l'appareil*

## ETAPE 3

Cliquez sur ENVOYER, en bas à gauche du formulaire de soumission:

Adresse électronique\*

Abonnez-vous à notre Newsletter Inventor

Je la carte de

**ENVOYER** je vous acceptez les termes et conditions.

une fois la soumission de la garantie complétée, un message de confirmation sera envoyé à votre email

## ETAPE 4

Un message de confirmation sera envoyé à l'email fourni. Si vous ne le recevez pas, veuillez vérifier également votre boîte Spam

## ETAPE 5

Vous avez activé avec succès votre Garantie Inventor!

Gentile Cliente,

Congratulazioni per la sua scelta!

Il Mini Frigo Inventor è in grado di soddisfare le molteplici e svariate richieste e necessità sia di un piccolo appartamento per studenti che di un'intera struttura alberghiera.

La classe energetica F, il basso consumo energetico e il design assolutamente moderno, sono caratteristiche fondamentali che rendono il Mini Frigo Inventor la soluzione ideale per qualsiasi tipo di spazio!

Si prega di fare riferimento a questo manuale per ottenere la massima efficienza del Mini Frigo, attraverso le linee guida incluse nelle pagine seguenti risparmiando in tal senso tramite un uso intelligente di questo dispositivo.

# SOMMARIO

1. ISTRUZIONI PER LA SICUREZZA E AVVERTENZE .....	100
2. INFORMAZIONI ELETTRICHE.....	102
3. OSSERVAZIONI GENERALI E PROTEZIONE AMBIENTALE .....	102
4. AZIONI PRIMA DELL' USO .....	103
5. CONOSCERE IL VOSTRO MINI FRIGO .....	104
6. CARATTERISTICHE DEL MINI FRIGO .....	105
7. LINEE GUIDA PER L'INSTALLAZIONE .....	106
8. IMPOSTAZIONI.....	110
9. MANUTENZIONE E PULIZIA .....	111
10. STOCCAGGIO .....	112
11. SUGGERIMENTI .....	113
12. DOMANDE FREQUENTI E SUGGERIMENTI PER LA RISOLUZIONE DEI PROBLEMI PIU' COMUNI .....	113

# 1. ISTRUZIONI PER LA SICUREZZA E AVVERTENZE

- L'uso di questo apparecchio non è consigliato ai minori di otto (8) anni. Assicurarsi che i bambini, le persone con disabilità ed in genere persone carenti di esperienza e dimestichezza col prodotto siano supervisionati, a seconda dei casi, da persone responsabili della loro sicurezza e che non intraprendano azioni come la pulizia o la manutenzione dell'apparecchio.
- È importante garantire una adeguata supervisione agli bambini e non lasciarli mai giocare con l'apparecchio.
- Questo apparecchio è destinato ad essere utilizzato nelle applicazioni domestiche e similari quali:
  - 1) Appartamenti, case di campagna, zone per cucinare riservate al personale nei locali, uffici e in altri ambienti di lavoro.
  - 2) Da clienti in alberghi, ostelli, bed and breakfast e altri ambienti di tipo residenziale.
- Non installare l'apparecchio in ambienti troppo umidi o troppo freddi, come cassette da giardino, monoblocchi prefabbricati da cantiere, garage o cantinette.
- Questo dispositivo deve essere sempre tenuto in posizione verticale per evitare danni.
- Se il cavo di alimentazione è danneggiato, deve essere sostituito dal produttore, il suo agente di servizio o da una persona similmente qualificata, al fine di evitare pericoli. Non tentare mai di smontare, riparare o modificare il dispositivo.
- Le aperture di ventilazione posizionate nella parte esteriore dell'apparecchio che nella struttura interna devono essere prive di ostacoli. Non utilizzare mezzi meccanici o altri dispositivi per accelerare lo sbrinamento, ma servirsi unicamente di quelli consigliati dal produttore.
- Poiché questo dispositivo è pesante, è sempre consigliabile procedere con cautela durante il suo trasferimento. Si consiglia l'uso dei guanti di sicurezza.
- Prima di trasferire questo apparecchio, sollevare leggermente dalla parte anteriore, per evitare danni al pavimento.
- Non tentare di riparare, smontare o modificare l'apparecchio. Rivolgersi ad un tecnico autorizzato per la riparazione o la manutenzione di questo dispositivo.
- Non avviare o spegnere l'unità usando il cavo di alimentazione.
- Durante il funzionamento, non toccare il compressore o il condensatore. Prestate attenzione in quanto caldi.
- Non collocare oggetti pesanti sul cavo di alimentazione. Assicurarsi che il cavo sia libero.
- Non coprire il cavo con tappeti, tappetini, moquette o simili rivestimenti. Disporre il cavo lontano da zone trafficate e dove non ci si possa inciampare.
- Non usare dispositivi elettronici nei scompartimenti per la conservazione degli alimenti a condizione che non siano stati approvati dal produttore.
- Non conservare sostanze esplosive ed infiammabili, come bombolette spray nell'apparecchio.
- Il circuito di refrigerazione deve rimanere intatto. In presenza di perdite o danni ad esso si prega di essere estremamente cauti che non si sviluppino scintille, fiamme o altri sorgenti di ignizione. Siete pregati di far arieggiare la stanza.
- Non sedersi o salire sul dispositivo.
- Non posizionare l'unità alla luce solare diretta o in prossimità di altri fonti di riscaldamento ad esempio radiatori, fornelli, forni o piani cottura.
- Non utilizzare l'unità in prossimità di fonti di calore, sostanze chimiche, radiatori, materiali infiammabili o fiamme.

- L'apertura dello sportello per lunghi periodi può causare un significativo aumento della temperatura negli scomparti dell'apparecchio.
- Pulire regolarmente le superfici che possono venire a contatto con gli alimenti e i sistemi di drenaggio accessibili.
- Pulire i serbatoi per la refrigerazione dell'acqua (dispenser) in caso di mancato utilizzo per 48 h o se l'acqua non è stata prelevata per 5 giorni consecutivi far defluire tutta l'acqua presente nell'impianto idrico collegato alla fornitura di acqua. (nota 1)
- Conservare la carne cruda e il pesce in contenitori adeguati nel frigorifero, in modo che non vengano a contatto con altri alimenti o vi gocciolino sopra.
- \*\* I compartimenti a due stelle per i cibi congelati sono adatti per la conservazione di cibi pre-congelati e per la conservazione e preparazione di gelati e ghiaccioli (nota 2)  
Gli scomparti a una stella\* , a due stelle \*\* e a tre stelle \*\*\* non sono adatti al congelamento di cibi freschi (nota 3).
- Se il frigorifero viene lasciato vuoto per un lungo periodo di tempo, spegnerlo, sbrinarlo, pulirlo, asciugarlo e lasciare la porta aperta per evitare la formazione di muffa all'interno dell'apparecchio.
- Per i frigoriferi senza scomparto a 4 stelle: questo dispositivo di refrigerazione non è adatto al congelamento degli alimenti (nota 4). Nota 1,2,3,4: si prega di verificare l'applicabilità in base al tipo di scompartimento
- Elettrodomestico non destinato all'incasso: questo frigorifero non è destinato ad essere utilizzato come un apparecchio da incasso.
- Prestare particolare attenzione alle porte o ai coperchi con serrature e chiavi, in quanto le chiavi devono essere tenute fuori dalla portata dei bambini e non nelle vicinanze del frigorifero, per evitare che i bambini si chiudano accidentalmente all'interno.
- La sostituzione e la manutenzione della lampadina a LED deve essere eseguita dal produttore, da un suo tecnico o da una persona similmente qualificata.

## 2. INFORMAZIONI ELETTRICHE

- La targhetta dati, con tutti i dati elettrici e tecnici di questo apparecchio, si trova sul retro del dispositivo.
- L'apparecchio deve essere installato in conformità alle normative nazionali in materia di cablaggio.
- Assicurarsi che l'unità sia collegata con una messa a terra appropriata. Per ridurre al minimo i rischi di scosse elettriche e di incendi, è necessario un efficiente impianto di messa a terra. Il cavo di alimentazione è dotato di una spina con messa a terra a due poli per la protezione contro pericoli di scosse elettriche.
- L'unità deve essere collegata ad una presa a muro con messa a terra. Se la presa al muro che si intende utilizzare non è adeguatamente messa a terra o protetta da un interruttore fusibile temporizzato o un interruttore a circuito, chiedere a un elettricista qualificato di installare la corretta presa.
- Assicurarsi che la presa sia accessibile dopo l'installazione del frigorifero.
- Non utilizzare l'apparecchio con cavi di prolunga o adattatori per la spina.
- Non danneggiare i componenti elettrici (ad esempio la spina principale, il cavo principale, il compressore). Contattare il Servizio di assistenza o un elettricista certificato per cambiare i componenti elettrici.
- Per evitare lesioni personali, scollegare sempre l'alimentazione elettrica del dispositivo, prima della manutenzione.



**Assicurarsi prima che il termostato interno sia spento (OFF) prima di rimuovere la spina dalla presa di corrente. Non tirare o trascinare il cavo di alimentazione per staccare la spina di alimentazione.**

## 3. OSSERVAZIONI GENERALI E PROTEZIONE AMBIENTALE

Smaltimento di componenti non più utilizzabili:

Seguire le istruzioni riportate di seguito, quando si utilizza questo frigorifero nei paesi europei.

● Questo apparecchio richiede un trattamento speciale per lo smaltimento. Nell'Unione Europea, le apparecchiature elettroniche non devono essere trattate come rifiuti domestici, ma devono essere smaltite in conformità alla Direttiva 2002/96/CE del Parlamento Europeo e del Consiglio, del 27 gennaio 2003, relativa alle vecchie apparecchiature elettriche ed elettroniche. Al termine della sua vita, si prega di smaltire questo dispositivo secondo i requisiti legali. Non smaltire l'apparecchio tra i rifiuti urbani indifferenziati.

Le sostanze pericolose possono infiltrarsi nelle falde acquifere trovando in tal modo strada nella catena alimentare mettendo in pericolo la vostra salute e l'ambiente.

● Per lo smaltimento l'utente ha a sua disposizione diverse soluzioni:

A) Il Comune ha istituito sistemi di raccolta per lo smaltimento dei rifiuti elettronici senza spese per l'utente.

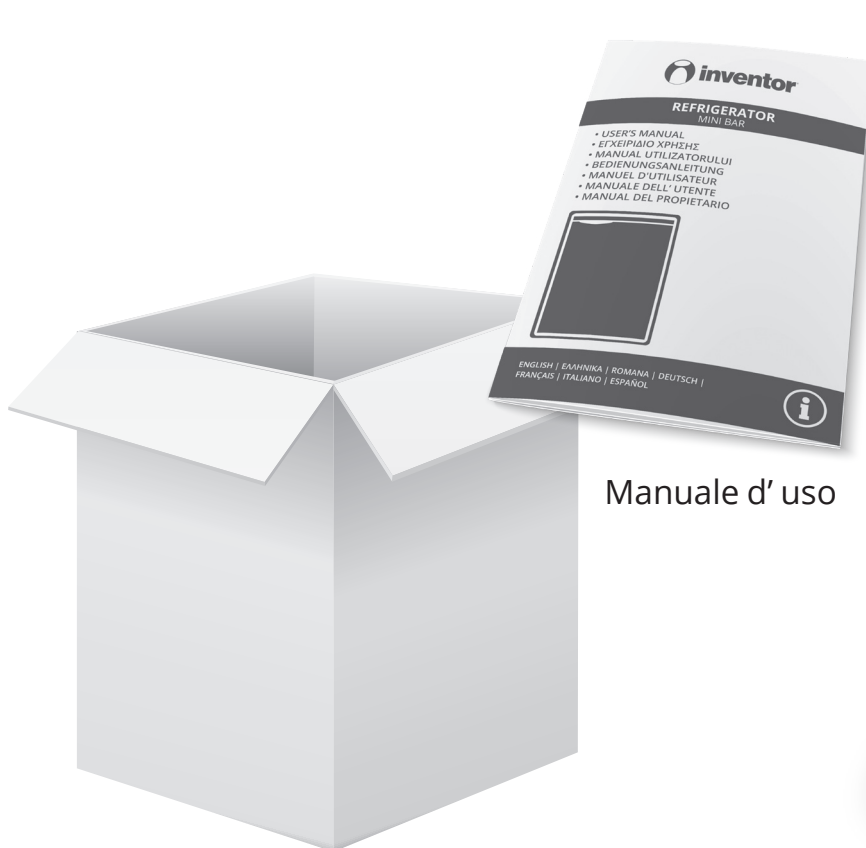


B) Al momento dell'acquisto di un nuovo prodotto, il rivenditore ritirerà il vecchio prodotto gratuitamente.

C) Il produttore s'impegna a ritirare il vecchio apparecchio destinato allo smaltimento a titolo gratuito per l'utente. Siete pregati di rimuovere tutte le porte prima dello smaltimento per impedire l'intrappolamento accidentale dei bambini.

D) Poiché i vecchi prodotti contengono componenti preziosi, possono essere venduti a chi rottama componenti metallici.

## 4. AZIONI PRIMA DELL' USO

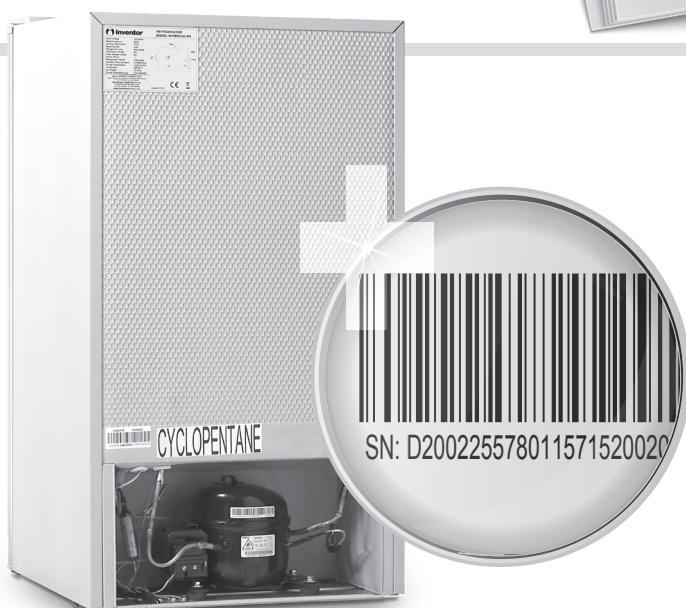
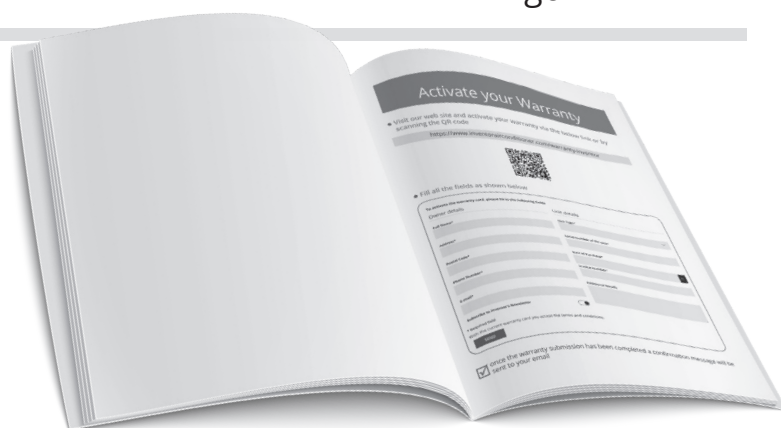


Manuale d' uso



Mini Frigo

Troverete le istruzioni inerenti alla garanzia elettronica, nell'ultima pagina (sezione italiano) di questo manuale.



Per la presentazione della garanzia, è necessario compilare il campo con il numero seriale (SN). Suddetto numero può essere individuato sul retro del dispositivo.

## 5. CONOSCERE IL VOSTRO MINI FRIGO



- 1.** Termostato **2.** Vaschetta raccogli acqua **3.** Luce Interna **4.** Ripiano  
**5.** Scomparto per la verdura e la frutta **6.** Compartimenti nello sportello laterale  
**7.** Portabottiglie **8.** Porta Reversibile **9.** Piedino regolabile **10.** Cavo di Alimentazione





## 6. CARATTERISTICHE DEL MINI FRIGO

NOMBRE DEL MODELO	MP864W	MP862SEC/MP862S-BS /MP862S
Categoria	MINI BAR	MINI BAR
Colore	Blanco	Plateado
Volume di Stoccaggio (L)	93	93
Classe Energetica	F	F
Consumo Elettrico (kWh/annum)	107	107
Alimentazione (V/Hz/Ph)	220-240-/50/1	220-240-/50/1
Classe Climatica	N/ST/T	N/ST/T
Refrigerante/Massa (g)	R600a/24	R600a/24
Livello di Rumorosità [dB(A)]	41	41
Dimensioni del Prodotto (LxLxA) (mm)	472x450x860	472x450x860
Peso Netto (Kg)	20.3	20.3
Numero di Comparti	3	3
Luce Interna	SI	SI
Lunghezza del Cavo di Alimentazione (mm)	1700	1700
Porta Reversibile	SI	SI
Da Incasso	NO	NO

Situare l'apparecchio in una posizione in cui la temperatura ambiente corrisponda alla classificazione climatica per cui è stata progettata. La classificazione climatica può essere trovata sulla targhetta dati. La tabella seguente riporta la classificazione climatica e la relativa temperatura ambiente corrispondente.

Tabella 1 Classi Climatiche

Classe	Acronimo	Intervallo di temperatura ambiente in °C
Temperata estesa	SN	+ 10 to + 32
Temperata	N	+ 16 to + 32
Subtropicale	ST	+ 16 to + 38
Tropicale	T	+ 16 to + 43

Temperata estesa: "Apparecchio di refrigerazione destinato a essere utilizzato a una temperatura ambiente compresa tra 10 °C e 32 °C"

Temperata: "Apparecchio di refrigerazione destinato a essere utilizzato a una temperatura ambiente compresa tra 16 °C e 32 °C"

Subtropicale: "Apparecchio di refrigerazione destinato a essere utilizzato a una temperatura ambiente compresa tra 16 °C e 38 °C"

Tropicale: "Apparecchio di refrigerazione destinato a essere utilizzato a una temperatura ambiente compresa tra 16 °C e 43 °C"

## Dimensioni Interne (mm)

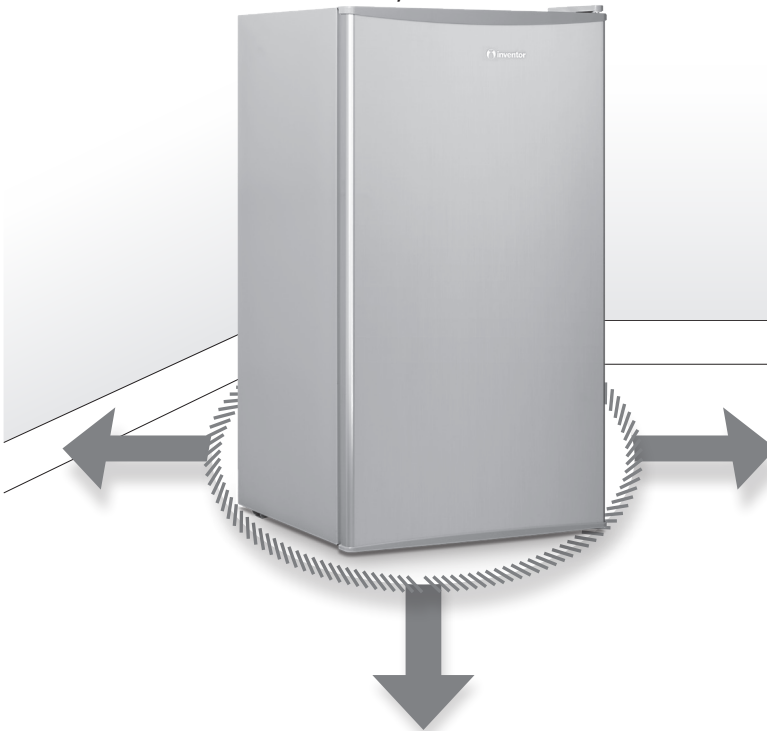


\*È possibile che ci sia una divergenza con le dimensioni sopracitati. Ricorrere al prodotto acquistato.

## 7. LINEE GUIDA PER L'INSTALLAZIONE

### Posizionamento

Prima di procedere al posizionamento di questa unità, tenere presente che la superficie di collocamento deve essere livellata, strutturalmente solida e resistente mentre la stanza deve essere ben ventilata, senza fonti di riscaldamento supplementari nelle vicinanze.



**1.** Consentire una sufficiente ventilazione dell'aria che circonda l'unità. La parte posteriore di questo apparecchio deve essere contro un muro che consente una ventilazione sufficiente così come segue:

- ⇒ 10cm dalla parte superiore
- ⇒ 10cm dalla parte posteriore.
- ⇒ 10cm da tutti i lati.

**2.** Attendere almeno 4 ore prima di collegare l'apparecchio all'alimentazione, consentendo a tutti i fluidi di fluire nuovamente verso il compressore.



**3.** Al primo utilizzo, operare continuamente per 24 ore al fine di garantire la giusta temperatura e il funzionamento regolare dell'unità.

## Porta Reversibile

L'apertura della porta può essere installata da sinistra o da destra, in base a ciò che è più adatto per la sua posizione. Assicurarsi che sia spazio sufficiente per aprire completamente la porta. Per cambiare la direzione di apertura della porta, seguire le istruzioni riportate di seguito:



**Attrezzi necessari: cacciavite a croce / cacciavite a testa piatta / chiave fissa esagonale.**

- Prima di invertire l'apertura della porta, scollegare l'apparecchio dall'alimentazione elettrica e rimuovere gli alimenti dal frigorifero.



**1.** Regolare il piedino regolabile nella posizione più alta. Inclinare l'unità leggermente all'indietro per rimuovere la porta. Riposizionare l'unità su qualcosa di solido in modo che non scivoli durante il processo di inversione della porta.



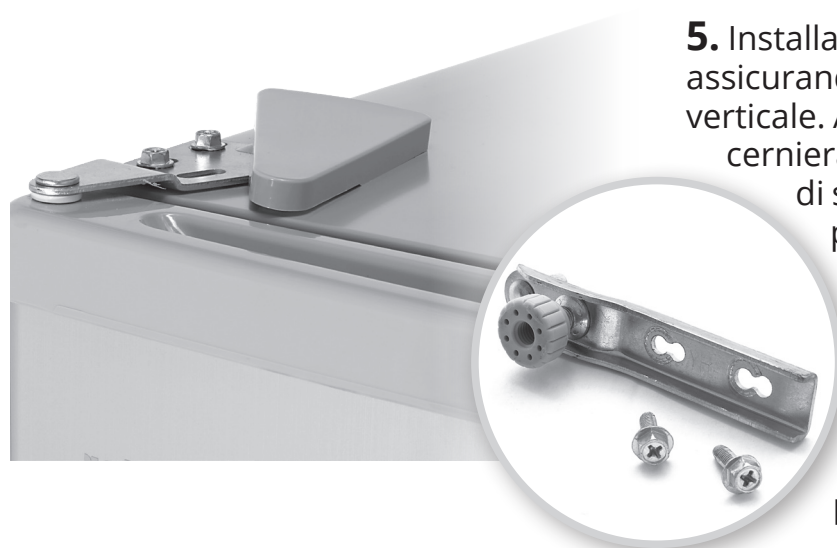
**Non posizionare l'unità capovolta e con la parte anteriore verso l'alto poiché un'azione simile potrebbe danneggiare il sistema di raffreddamento.**

**2.** Rimuovere il coperchio di plastica situato in alto a destra o a sinistra (a seconda del lato iniziale di installazione della porta) e svitare le due viti dalla cerniera rimuovendo al contempo il perno di supporto.



**3.** Inclinare leggermente in modo che si possa avere accesso alla cerniera di fondo anteriore. Svitare le due viti situate in basso a sinistra o a destra (a seconda del lato iniziale di installazione della porta) e togliere il piedino regolabile dal lato opposto. Appena saranno rimosse le viti superiori, inferiori e il piedino opposto, la porta verrà completamente rilasciata.

**4.** Rimuovere i tre tappi di plastica dal lato in cui si intende installare la porta e posizionarli sul lato in cui è stata originariamente installata la porta, per coprire i tre fori della vite.



**5.** Installare la porta sul lato desiderato assicurandosi che si trovi in posizione verticale. Avvitare le due viti principali dalla cerniera inserendo nuovamente il perno di supporto. Inclinare leggermente, per un migliore posizionamento e avvitare sia la cerniera inferiore in posizione che il piedino rimosso sull'altro lato. Una volta completata la procedura di inversione della porta riposizionare il coperchio di plastica della cerniera superiore.

**6.** Controllare se la porta è allineata orizzontalmente e verticalmente e che sia completamente sigillata da tutti i lati quando è chiusa.



**7.** Infine serrare saldamente la cerniera inferiore e regolare nuovamente il piedino sul lato opposto per una corretta livellazione.

## Livellare l'unità

Piedino regolabile di livellamento situati sulla parte anteriore dell'unità. Se l'unità non è allineata correttamente, sia la porta stessa che la sua guarnizione magnetica non aderiranno correttamente.



## 8. IMPOSTAZIONI

### Impostazione della Temperatura dal Termostato

Il termostato si trova all'interno e nella parte superiore del frigorifero. I livelli di impostazione del termostato sono i seguenti:

- **Impostazione "OFF"**: L'operazione di raffreddamento si arresta.
- **Impostazione "MIN"**: Raffreddamento minimo. Suggesta quando la quantità degli alimenti da conservare è ridotta.
- **Impostazione "MED"**: Raffreddamento normale.

Quando si installa l'apparecchio per la prima volta, accertarsi di impostare il termostato sull'impostazione MED e attendere 24 ore prima di inserire gli alimenti all'interno.

- **Impostazione "MAX"**: raffreddamento massimo. In presenza di una grande quantità di alimenti da conservare o quando la temperatura esterna è alta, è possibile impostare la manopola del termostato al livello più alto per un breve periodo di tempo.



**Per determinare l'impostazione corretta della temperatura, prendere in considerazione quanto segue:**

- ✓ Temperatura ambiente.
- ✓ Con quale frequenza si apre la porta del frigorifero.
- ✓ La quantità degli alimenti da conservare.
- ✓ Posizione dell'apparecchio.

## 9. MANUTENZIONE E PULIZIA



Prima di pulire l'apparecchio, staccare la spina dalla presa di alimentazione e rimuovere tutti i ripiani.

- Pulire l'apparecchio con un panno morbido e umido. Usare solo detergenti neutri.
- Pulire l'interno dell'unità con una soluzione di bicarbonato di sodio debole e sciacquare con acqua calda applicando una spugna o un panno umido.
- Utilizzare un panno umido per pulire l'esterno tenendo presente che la porta deve essere chiusa in modo tale da evitare che la sporcizia si accumuli sulla guarnizione magnetica o all'interno dell'apparecchio.
- Dopo la pulizia, asciugare l'interno con un panno asciutto e acqua pulita.

- Lasciare asciugare l'apparecchio per circa 1-2 ore.
- Impostare il termostato in posizione intermedia. Collegare alla presa la spina di alimentazione. L'apparecchio continuerà la funzione di refrigerazione fino al raggiungimento della temperatura impostata.
- Le prese d'aria e il condensatore situati sulla parte posteriore dell'apparecchio devono essere pulite frequentemente usando un'aspirapolvere o una spazzola. Il condensatore deve essere sempre pulito e privo di polvere o di altre impurità.



**Pulire l'interno  
dell'apparecchio  
UNA VOLTA  
AL MESE**



- **Non utilizzare prodotti abrasivi, pani o spugne con superfici abrasive, solventi o oggetti metallici. Non utilizzare spray d'acqua e vapore per pulire l'apparecchio.**
- **Non utilizzare pani di pulizia estremamente umidi. È necessario evitare qualsiasi umidità attorno ai componenti elettronici. Qualsiasi traccia di umidità intorno ai componenti elettrici, dovrebbe essere evitata.**
- **È vietato l'uso di pulitori ad alta pressione o a getto di vapore, poiché questi ultimi sono molto pericolosi.**

## Sbrinamento

Si consiglia di sbrinare il vano di congelamento ogniqualvolta le formazioni di ghiaccio superino i 3-4 mm. Per attuare il processo di sbrinamento, procedere come sotto riportato:

1. Scollegare l'apparecchio.
2. Svuotare l'apparecchio.
3. Tenere aperta la porta quando il processo di sbrinamento è in corso.
4. Assicurarsi che l'interno sia libero di ghiaccio e in seguito pulire il vano di congelamento con un panno morbido.
5. Ricollegare, consentire all'apparecchio di funzionare per circa 4 ore, quindi riempire.



- **Non utilizzare mai oggetti taglienti o metallici per rimuovere il ghiaccio durante lo sbrinamento.**
- **Non utilizzare dispositivi o strumenti meccanici per accelerare il processo di sbrinamento senza aver prima consultato il produttore.**

## Luce Interna

Grazie all'illuminazione interna potrete avere una migliore visione dei vostri alimenti. In caso di malfunzionamento, è possibile sostituire la lampadina interna del frigorifero da soli, seguendo i passaggi sotto riportati:

- staccare il cavo di alimentazione dalla presa
- rimuovere la copertura plastica dell'illuminazione
- controllare se la lampadina è completamente avvitata
- sostituirla con una lampadina dello stesso tipo
- riposizionare la copertura plastica dall'illuminazione
- inserire il cavo di alimentazione alla presa



## 10. STOCCAGGIO

Nel caso in cui l'unità non venga utilizzata per un lungo periodo di tempo, si prega di seguire le istruzioni sottostanti per uno stoccaggio appropriato dell'apparecchio:

- Dopo aver spento l'unità, attendere un giorno prima di procedere con il stoccaggio.
- Rimuovere tutti gli oggetti dall'interno.
- Pulire le parti estraibili del dispositivo.
- Lasciare la porta aperta per evitare odori sgradevoli.
- Coprire il dispositivo.
- Stoccare l'unità in posizione verticale in un luogo asciutto e ben ventilato lontano dalla luce diretta del sole.



## 11. SUGGERIMENTI

- ✓ Non situare gli alimenti troppo vicino. Assicurare una distanza sufficiente per una corretta circolazione dell'aria nel frigorifero.
- ✓ Evitare l'uso frequente della porta in tempo umido o caldo. Da tenere a mente che una volta aperta la porta deve essere chiusa il più presto possibile.
- ✓ Non situare gli alimenti a contatto diretto con la parete di fondo del frigorifero, lasciare sempre spazio.
- ✓ Non posizionare mai all'interno dell'apparecchio, alimenti caldi o addirittura bollenti senza permettere a loro un raffreddamento adeguato.
- ✓ Assicurarsi che la parete dietro l'apparecchio sia priva di sporco e polvere, in particolare per le unità equipaggiate con condensatore esterno.
- ✓ Non inserire oggetti o alimenti che non siano sigillati o confezionati in modo appropriato sotto il vano congelatore.

## 12. DOMANDE FREQUENTI E SUGGERIMENTI PER LA RISOLUZIONE DEI PROBLEMI PIU' COMUNI

PROBLEMI	POSSIBILI CAUSE/RIMEDI PROPOSTI
<b>L' apparecchio non funziona</b>	La spina non è nella presa. Assicurarsi che la spina di alimentazione del mini frigo sia spinta completamente nella presa.
<b>L'illuminazione non funziona</b>	Lampadina difettosa. Sostituire la lampadina come indicato nella sezione "MANUTENZIONE E PULIZIA"
<b>La temperatura nel mini frigo è troppo alta o troppo bassa</b>	Il termostato è stato impostato in modo errato. Regolare correttamente il termostato.
<b>La condensa appare sulla superficie esterna dell'unità</b>	Ciò può essere causato da una variazione della temperatura della stanza. Utilizzare un panno morbido per eliminare la condensa. Se il problema persiste, contattare un tecnico certificato per l'assistenza.
<b>Odori</b>	1) Gli alimenti devono essere racchiusi in contenitori sigillati. 2) Non devono essere presenti alimenti avariati. 3) L' interno del frigo deve essere pulito.

---

**L'apparecchio emette un rumore**

- 1) Il liquido refrigerante provoca un suono di gorgoglio nel sistema di raffreddamento.
- 2) Il rumore viene prodotto durante il funzionamento del compressore, in quanto il fluido refrigerante viene pompato all'interno dell'apparecchio.
- 3) Assicurarsi che il frigorifero sia livellato ed equilibrato.
- 4) Gli alimenti sono stati posizionati e disposti in modo errato nel frigorifero. Inserire correttamente gli alimenti nel frigorifero.
- 5) Controllare se i componenti del frigorifero siano nella posizione corretta.

---

**La porta del frigorifero non può essere chiusa correttamente**

- Assicurarsi che nessun oggetto o alimento blocchi la porta.
- Assicurarsi che il frigorifero non sia troppo pieno.
- Assicurarsi che il frigorifero non sia inclinato.

---

**Funzionamento continuo del compressore**

- È normale che il compressore funzioni per un lungo periodo di tempo durante temperature ambientali alte.
- Evitare di riempire eccessivamente.
- Lasciare raffreddare in temperatura ambiente i prodotti caldi e bollenti prima di inserirli nell'unità.
- Evitare l'apertura frequente della porta.

---

**Presenza di ghiaccio intorno al vano congelatore.**

- Seguire il "processo di sbrinamento" di cui al punto 9.

I pezzi di ricambio elencati nella seguente tabella possono essere acquistati direttamente da Inventor:

<b>Pezzo di ricambio</b>	<b>Ordinabile da</b>	<b>Tempo minimo di reperibilità</b>
Termostati	Personale addetto alla manutenzione	Almeno 7 anni a decorrere dalla data di immissione sul mercato dell'ultimo modello
Sensori di Temperatura	Personale addetto alla manutenzione	Almeno 7 anni a decorrere dalla data di immissione sul mercato dell'ultimo modello
Schede a circuito stampato	Personale addetto alla manutenzione	Almeno 7 anni a decorrere dalla data di immissione sul mercato dell'ultimo modello
Lampadine	Personale addetto alla manutenzione	Almeno 7 anni a decorrere dalla data di immissione sul mercato dell'ultimo modello
Maniglie	Personale addetto alla manutenzione e/o utenti finali	Almeno 7 anni a decorrere dalla data di immissione sul mercato dell'ultimo modello
Cerniere delle porte	Personale addetto alla manutenzione e/o utenti finali	Almeno 7 anni a decorrere dalla data di immissione sul mercato dell'ultimo modello
Vaschette	Personale addetto alla manutenzione e/o utenti finali	Almeno 7 anni a decorrere dalla data di immissione sul mercato dell'ultimo modello
Cassetti	Personale addetto alla manutenzione e/o utenti finali	Almeno 7 anni a decorrere dalla data di immissione sul mercato dell'ultimo modello
Guarnizioni per porte	Personale addetto alla manutenzione e/o utenti finali	Almeno 7 anni a decorrere dalla data di immissione sul mercato dell'ultimo modello

Tutte le immagini del manuale fornite sono solo a scopo esplicativo. La forma effettiva dell'unità acquistata può essere leggermente diversa, ma le operazioni e le funzioni sono uguali.

L'azienda non assume alcuna responsabilità per errori di stampa. Il design e le specifiche tecniche sono soggetti a modifiche senza preavviso a causa del continuo miglioramento delle nostre attrezzature.

Per ulteriori informazioni in merito, si prega di contattare il produttore al numero telefonico +30 211 300 3300 o il negozio di vendita. Tutti gli aggiornamenti di questo manuale saranno disponibili sul nostro sito Web pertanto consigliamo vivamente di verificare sempre la versione aggiornata dello stesso.



Si prega di scansionare qui per scaricare l'ultima versione di questo manuale.  
[www.inventorappliances.com/it/manuali](http://www.inventorappliances.com/it/manuali)

# Attiva la tua Garanzia

Segui questi semplici passaggi per attivare la tua garanzia.

## Primo Passaggio

Visita il nostro sito web e attiva la tua garanzia tramite il link sottostante:

<http://www.inventorappliances.com/garanzia>

o tramite la scansione del codice QR:



## Secondo Passaggio

Compila tutti i campi obbligatori come richiesto prestando la massima attenzione sia a "Dettagli del proprietario" che a "Dati Dettagli dell' Unità ":

Per attivare la garanzia elettronica si prega di compilare i campi seguenti

Dettagli del proprietario	Dati Dettagli dell' Unità
Nome	Tipo
Indirizzo di posta*	Numero seriale dell'Unità*

## Terzo Passaggio

Clicca sul pulsante INVIA, in basso a sinistra:

Sottoscriviti al nostro servizio di Newsletter

INVIARE

Una volta completata la registrazione della garanzia, verrà inviato un messaggio di conferma al tuo indirizzo email

## Quarto Passaggio

Un'e-mail di conferma verrà inviata all'indirizzo e-mail fornito. Se non l'hai ricevuta, controlla anche la tua cartella Spam.

## Quinto Passaggio

Hai attivato con successo la tua Garanzia Inventor!

Apreciado cliente,

¡Felicidades por su compra!

Las Mini Neveras Inventor pueden cubrir muchas necesidades y demandas para satisfacer no solo al estudiante que busca una mini nevera para su apartamento pequeño sino también a los hoteles que buscan el equipamiento adecuado.

Su clase energética F, su bajo consumo energético y su diseño absolutamente moderno explican muy bien porqué las Mini Neveras Inventor son la solución ideal.

Le rogamos que consulte este manual para lograr la máxima eficiencia de su Mini Nevera, siguiendo las indicaciones incluidas en las siguientes páginas, ahorrando así mediante la utilización inteligente de este aparato.

# ÍNDICE

1. INSTRUCCIONES DE SEGURIDAD Y ADVERTENCIAS .....	119
2. INFORMACIÓN ELÉCTRICA.....	121
3. CONSIDERACIONES DE PROTECCIÓN DEL MEDIO AMBIENTE .....	121
4. ANTES DE USAR LA MINI NEVERA .....	122
5. FAMILIARIZÁNDOSE CON SU MINI NEVERA .....	123
6. CARACTERÍSTICAS DE LA MINI NEVERA .....	124
7. GUÍA DE INSTALACIÓN.....	125
8. CONFIGURACIÓN.....	129
9. MANTENIMIENTO Y LIMPIEZA.....	130
10. ALMACENAMIENTO .....	131
11. CONSEJOS.....	132
12. SOLUCIÓN DE PROBLEMAS.....	132

# 1. INSTRUCCIONES DE SEGURIDAD Y ADVERTENCIAS

- No se debe permitir que niños menores de 8 años utilicen este aparato eléctrico. Los niños y las personas con discapacidad física, sensorial o mental deben estar vigilados y deben ser plenamente conscientes de los peligros que supone su utilización. Estas personas deben abstenerse de limpiar o realizar el mantenimiento de este aparato.
- Es importante que los menores estén atentamente vigilados y no estén sin supervisión con este aparato.
- El frigorífico está concebido para un uso doméstico o de carácter similar como:
  - 1) Casas rurales, áreas de cocina en tiendas, oficinas y otros entornos laborales.
  - 2) Por clientes en hoteles, pensiones y hostales o otro tipo de entornos residenciales.
- No instale el aparato en lugares con demasiada humedad o demasiado frío, como dependencias anejas a obras, garajes o bodegas.
- Este aparato se debe guardar siempre en posición vertical para evitar daños.
- Si el cable de alimentación está estropeado, debe ser sustituido por el fabricante, su servicio técnico o personas capacitadas para evitar peligros. Nunca intente desmontar, reparar o modificar el aparato.
- Las aperturas de ventilación, tanto en la caja del aparato como en la estructura integrada tienen que estar libres de obstáculos. No deben emplearse aparatos mecánicos u otros medios de descongelación rápida, sino solo los métodos recomendados por el fabricante.
- Como el aparato es pesado, tenga siempre cuidado al moverlo; se recomienda usar guantes de seguridad.
- Cuando mueva este aparato, levante ligeramente la parte frontal para evitar daños en el suelo.
- No intente reparar, desmontar o modificar el dispositivo. Póngase en contacto con el servicio técnico autorizado para la reparación o mantenimiento de este aparato.
- Mientras esté en marcha, no toque el compresor o el condensador, tenga cuidado porque estarán calientes.
- No coloque objetos pesados encima del cable de alimentación. Asegúrese de que el cable no está comprimido.
- No coloque el cable bajo ningún obstáculo (moquetas, alfombrillas, alfombras de corredor etc.). El cable debe estar situado alejado de zonas donde puedan ocasionarse tropezos accidentales.
- No haga funcionar otros dispositivos eléctricos dentro de los compartimentos para la conservación de alimentos de este aparato, a menos que esté recomendado por el fabricante.
- No almacene en este aparato sustancias explosivas como botes de aerosol con propelentes inflamables.
- El circuito refrigerante debe permanecer intacto. En el caso de daños, sea especialmente prudente con llamas o otras posibles fuentes de ignición. Ventile la habitación.
- No se sienta o suba al aparato.
- No exponga la unidad a la luz directa del sol y no la coloque cerca de otras fuentes caloríficas como radiadores, fogones, hornos o placas de inducción.
- No use la unidad cerca de fuentes de calor, sustancias químicas, radiadores, materiales inflamables o fuego.

La apertura de la puerta durante largos períodos de tiempo puede provocar un aumento significativo de la temperatura en los compartimentos del aparato.

- Limpie regularmente las superficies que puedan entrar en contacto con los alimentos y los sistemas de drenaje accesibles.
- Limpie los compartimentos de agua si no se han utilizado durante 48 horas; enjuague el sistema de agua conectado al suministro de agua si no se ha extraído agua durante 5 días (nota 1).
- Almacene la carne y el pescado crudos en recipientes adecuados en el frigorífico, para que no estén en contacto con otros alimentos.
- Los compartimentos de alimentos congelados de dos estrellas son adecuados para almacenar alimentos pre-congelados, guardar helados y cubitos de hielo (nota 2).
- Los compartimentos de una, dos y tres estrellas no son adecuados para la congelación de alimentos frescos (nota 3).
- Si el aparato de refrigeración se deja vacío durante mucho tiempo, apáguelo, descongélelo, límpielo, séquelo y deje la puerta abierta para evitar el desarrollo y la aparición de moho dentro del aparato.
- Para frigoríficos sin un compartimento de 4 estrellas: este aparato de refrigeración no es apto para congelar (note 4).

Nota 1,2,3,4: Por favor confirmar si es aplicable según el tipo de compartimento de su frigorífico.

Para un electrodoméstico independiente: este aparato de refrigeración no está diseñado para ser utilizado como un electrodoméstico integrado. Tenga especial cuidado con las puertas o tapas que tengan cerraduras y llaves, ya que las llaves deben mantenerse fuera del alcance de los niños y no en las proximidades del frigorífico, a fin de evitar que los menores se encierren accidentalmente en su interior. Cualquier sustitución o mantenimiento de las bombillas LED debe ser realizado por el fabricante, su agente de servicio o una persona cualificada similar.



## 2. INFORMACIÓN ELÉCTRICA

- La placa de identificación con todos los datos eléctricos y técnicos de este aparato, está situada en el panel trasero.
- El aparato debe estar instalado de acuerdo con la normativa nacional sobre cableado.
- Asegúrese de que el aparato tenga una toma de tierra adecuada. Una adecuada toma de tierra es esencial para reducir al mínimo el riesgo de descargas eléctricas o incendio. El cable de alimentación está equipado con una conexión a tierra que protege contra el peligro de descarga eléctrica.
- El aparato debe conectarse a una toma de corriente con adecuada conexión a tierra. Si la toma de corriente que pretende usar no dispone de la conexión a tierra adecuada o no está protegida con un fusible de acción retardada o disyuntor, llame a un electricista cualificado para que le instale el receptáculo correspondiente.
- Asegúrese de que la toma de corriente está al alcance después de la instalación del frigorífico.
- No use cables alargadores o adaptadores de enchufe con este aparato.
- Procure no estropear los componentes eléctricos (p. ej. toma de red, cable de red, compresor). Póngase en contacto con el Servicio Técnico o un electricista para cambiar los componentes eléctricos.
- Para evitar lesiones, desconecte siempre la toma de alimentación del aparato antes de proceder al mantenimiento.



**Apague el frigorífico antes de desconectar el enchufe. No desconecte el enchufe de la toma de corriente tirando del cable.**

## 3. CONSIDERACIONES DE PROTECCIÓN DEL MEDIO AMBIENTE

Eliminación de equipos que no se utilizan.

Le rogamos que siga las siguientes instrucciones cuando esté utilizando este frigorífico en países europeos.

- Este aparato requiere un tratamiento especial para su eliminación. En la Unión Europea, los equipos eléctricos no deben ser tratados como residuos domésticos, sino que deben ser eliminados profesionalmente de acuerdo con la Directiva 2002/96/EC del Parlamento Europeo y el Consejo del 27 de enero de 2003 relativa a equipos electrónicos y eléctricos. Para eliminar la unidad, se deben seguir todas las disposiciones legales y no debe eliminarse como residuo municipal sin clasificar.

Existe el peligro de que las sustancias peligrosas sean vertidas a la capa freática, y por tanto contaminar la cadena alimentaria, poniendo en peligro su salud y el medio ambiente.

- Hay varias soluciones alternativas para la eliminación. Le rogamos que retire todas las puertas antes de realizar la eliminación, a fin de evitar que los niños puedan quedarse atrapados accidentalmente.



A) El municipio donde vive ha establecido sistemas de recogida de residuos eléctricos.

B) Su distribuidor local se encarga de ello tras la compra de un nuevo producto.

C) Puede que el fabricante recoja los aparatos viejos para eliminarlos.

D) Los aparatos viejos contienen a veces elementos valiosos para la venta como material de chatarra.

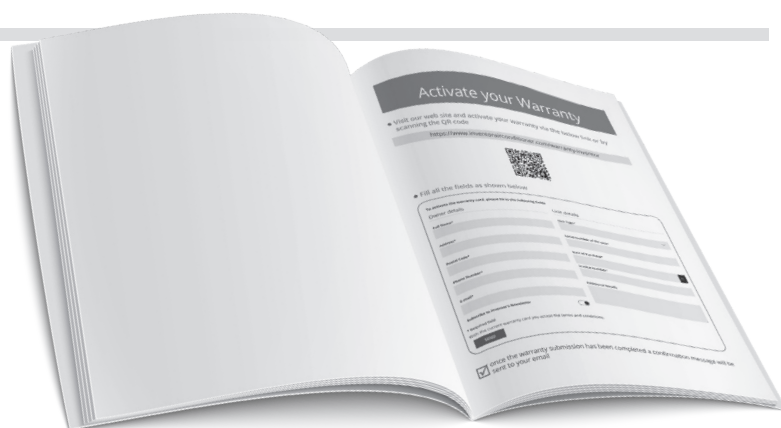
## 4. ANTES DE USAR LA MINI NEVERA



Manual de usuario

Mini Bar

Encontrará las instrucciones de la garantía electrónica en la última página (sección en español) de este manual.



Para hacer uso de la garantía, deberá rellenar la casilla del campo numérico SN (número de serie). Lo encontrará en la parte posterior del aparato.

## 5. FAMILIARIZÁNDOSE CON SU MINI NEVERA



- 1.** Termostato **2.** Bandeja de descongelación **3.** Luz Interior **4.** Estante  
**5.** Cubo **6.** Compartimentos de la puerta **7.** Estante Botellero  
**8.** Puerta Reversible **9.** Pata Niveladora **10.** Cable de Alimentación



## 6. CARACTERÍSTICAS DE LA MINI NEVERA

NUMERO SERIALE	MP864W	MP862SEC/MP862S-BS /MP862S
Categoría	MINI FRIGO	MINI FRIGO
Color	Bianco	Argento
Volumen de Almacenamiento Total (L)	93	93
Clase Energética	F	F
Consumo de Energía (kWh/año)	107	107
Fuente de Alimentación (V/Hz/Ph)	220-240-/50/1	220-240-/50/1
Clase Climática	N/ST/T	N/ST/T
Refrigerante/Masa (g)	R600a/24	R600a/24
Nivel De Ruido [dB(A)]	41	41
"Dimensiones del Producto (AnchoxLargoxAlto) (mm)"	472x450x860	472x450x860
Peso Neto (Kg)	20.3	20.3
Número de Estantes	3	3
Luz Interior	SI	SI
Longitud del Cable de Alimentación (mm)	1700	1700
Puerta Reversible	SI	SI
Empotrado	NO	NO

Ponga el aparato en un sitio donde la temperatura ambiente se corresponde con la clasificación climática para la cual está concebido. Puede encontrar la clasificación climática en la placa de identificación. El siguiente recuadro indica la clasificación climática y su correspondencia con la temperatura ambiente:

Tabla 1 Clases climáticas

Clase	Símbolo	Intervallo di temperatura ambiente in °C
Templada extendida	SN	+ 10 to + 32
Templada	N	+ 16 to + 32
Subtropical	ST	+ 16 to + 38
Tropical	T	+ 16 to + 43

Templada extendida: "Aparato de refrigeración destinado a utilizarse a temperaturas ambiente de entre 10 °C y 32 °C"

Templada: "Aparato de refrigeración destinado a utilizarse a temperaturas ambiente de entre 16 °C y 32 °C"

Subtropical: "Aparato de refrigeración destinado a utilizarse a temperaturas ambiente de entre 16 °C y 38 °C"

Tropical: "Aparato de refrigeración destinado a utilizarse a temperaturas ambiente de entre 16 °C y 43 °C"

## Dimensiones del interior (mm)

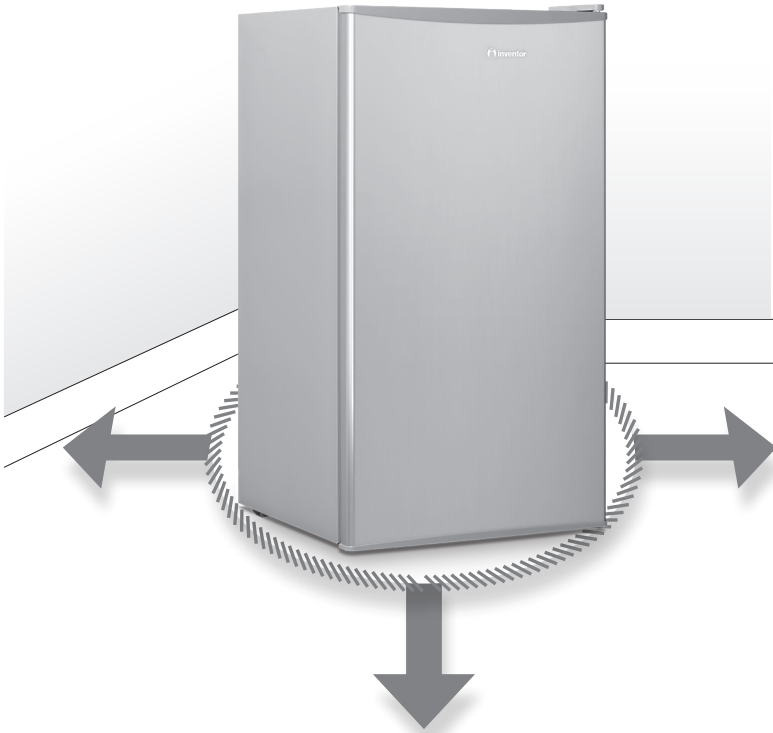


\*Puede haber una desviación con respecto a los precios anteriores. Por favor refiérase al producto comprado.

## 7. GUÍA DE INSTALACIÓN

### Colocación

Al colocar la unidad, recuerde que el suelo debe ser plano y firme, y que la habitación debe estar bien ventilada, sin ninguna fuente calorífica en las proximidades.



**1.** Deje entorno a la unidad un espacio para la ventilación del aire lo suficientemente amplio. La parte posterior (trasera) de este aparato debe estar en posición vertical contra la pared, dejando suficiente espacio para la ventilación como se indica:

- ⇒ 10cm desde la parte de arriba
- ⇒ 10cm desde atrás
- ⇒ 10cm desde el resto de los lados

**2.** Espere al menos 4 horas hasta conectar el aparato a la toma de red, para permitir que todos los líquidos se depositen en el compresor.



**3.** Tras el primer uso, déjelo en funcionamiento durante 24 horas, para asegurar que se ha alcanzado la temperatura correcta y así asegurar el funcionamiento normal de la unidad.

## Puerta Reversible

La apertura de la puerta puede cambiarse tanto del lado izquierdo como del derecho, según donde sea más conveniente colocarla. Asegúrese de que hay espacio suficiente para que la puerta se pueda abrir completamente. Para cambiar la dirección de apertura de la puerta, le rogamos que siga las siguientes instrucciones:



**Herramientas necesarias: destornillador de cabeza plana / destornillador de cabeza ranurada / llave hexagonal**

- Antes de cambiar el giro de la puerta, desenchufe el aparato de la toma de corriente y saque el contenido del frigorífico.



**1.** Ajuste la pata niveladora a la posición más elevada. Inclíne ligeramente la unidad hacia atrás para sacar la puerta. Apoye la unidad en una superficie firme para que no resbale durante el proceso de inversión de la puerta.



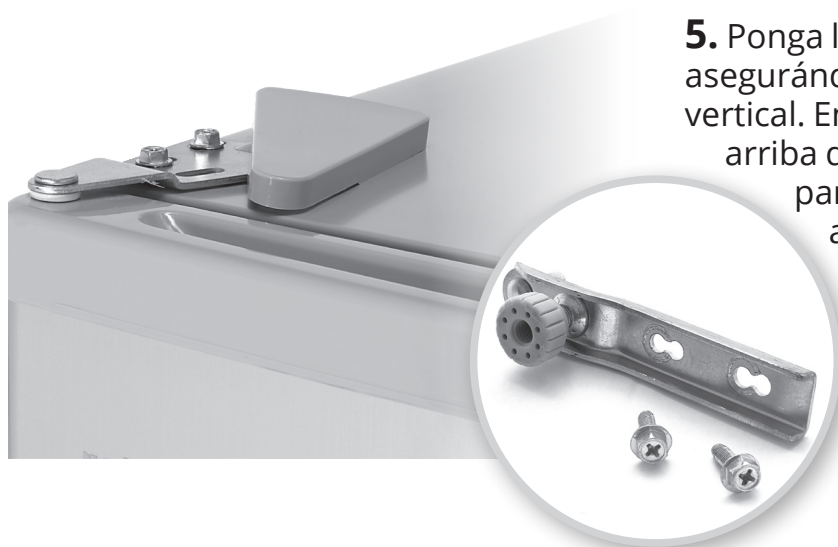
**No deje la unidad apoyada sobre los laterales ya que puede afectar al sistema de refrigeración.**

**2.** Retire la tapa de plástico situada en la parte superior a la derecha o la izquierda (según el lado en que se instaló inicialmente) de la bisagra de la puerta y afloje los tres tornillos.



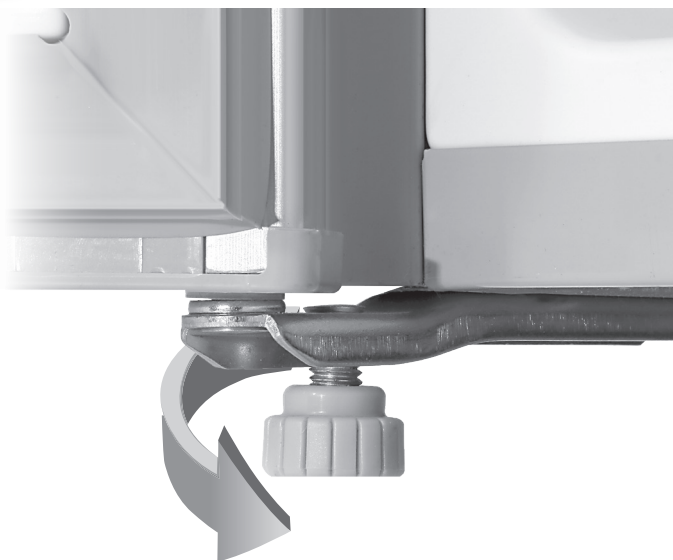
**3.** Inclíne ligeramente para que usted pueda llegar al soporte inferior delantero. Afloje los tres tornillos situados en la parte inferior izquierda o derecha (según el lado en que se instaló inicialmente) y retire la pata de la parte opuesta. Una vez que haya retirado los tornillos de arriba y abajo así como la pata de la parte opuesta, podrá soltar la puerta.

**4.** Retire los tres tapones de plástico del lado que vaya a colocar la puerta, y póngalos en el lado donde estaba la puerta colocada anteriormente, a fin de cubrir los tres agujeros de los tornillos.



**5.** Ponga la puerta en el lado deseado, asegurándose de que está en posición vertical. Enrosque los tres tornillos de arriba de la bisagra. Inclínelo ligeramente para un mejor posicionamiento y atornille la bisagra de arriba en su sitio, y también enrosque la pata que sacó en el otro lado. Una vez terminado, acople el tapón de plástico de arriba.

**6.** Compruebe que la puerta está alineada horizontal y verticalmente y que cuando la puerta cierra está totalmente sellada por todos los lados.



**7.** Por último, apriete la bisagra de arriba y ajuste la pata del lado contrario para una adecuada nivelación.



## Nivelación de la Unidad

Regule la pata niveladora de la parte frontal de la unidad. Si la unidad no está alineada, la puerta y las alineaciones de la junta magnética no estarán debidamente ajustadas.



## 8. CONFIGURACIÓN

### Configuración de la temperatura del termostato

El termostato está situado en la parte más elevada del interior del frigorífico. Los parámetros de configuración del termostato son los siguientes:

- **Modo "OFF"**: se interrumpe la refrigeración
- **Modo "MIN"**: Refrigeración mínima. Está recomendado cuando la cantidad de artículos almacenados es muy pequeña.
- **Modo "MED"**: Refrigeración normal. Al instalar el aparato por primera vez, cerciórese de seleccionar el termostato en el modo "MED" y esperar 24 horas antes de meter alimentos dentro.
- **Modo "MAX"**: Refrigeración máxima. Si hay una gran cantidad de productos congelados, o si la temperatura exterior es elevada, se puede configurar el termostato en su posición más alta por un rato.



**Para determinar la configuración de la temperatura adecuada, tenga en cuenta lo siguiente:**

- ✓ Temperatura ambiente
- ✓ Con cuánta frecuencia se abre la puerta de la nevera
- ✓ La cantidad de los productos almacenados
- ✓ La ubicación del aparato

## 9. MANTENIMIENTO Y LIMPIEZA



Antes de limpiar el aparato, desenchufe el cable de la toma de corriente de la pared y retire todos los estantes.

- Limpie el aparato con un paño suave humedecido. Utilice únicamente detergentes neutros.
- Limpie el interior de la unidad con una solución diluida de bicarbonato sódico y enjuáguelo con agua tibia, aplicando una esponja humedecida o paño.
- Utilice un paño humedecido para limpiar el exterior, asegurándose de que la puerta quede cerrada para evitar la formación de pátina sobre la funda magnética de la puerta o el interior de la unidad.
- Tras la limpieza, enjuague el interior con agua limpia y déjelo secar.

- Espere una hora o dos para que el aparato se seque.
- Seleccione el termostato en la posición media. Enchufe la nevera a la red. El aparato refrigerará constantemente hasta que alcance la temperatura seleccionada.
- Limpie con frecuencia las rendijas de ventilación y el condensador situadas en la parte trasera del aparato, utilizando un aspirador o un cepillo. El condensador debe estar siempre limpio, libre de polvo y otras impurezas.



**Limpie  
el interior  
del aparato  
UNA VEZ  
AL MES**



- **No use productos abrasivos, bayetas abrasivas, disolventes o utensilios metálicos. No utilice aerosoles con agua pulverizada o chorros para limpiar el aparato.**
- **No use bayetas demasiado húmedas. Se debe evitar cualquier humedad alrededor de los componentes eléctricos.**
- **El uso de un limpiador de chorro de vapor está prohibido, debido a que puede suponer un gran peligro.**

## Descongelar

Se recomienda descongelar la nevera cuando se haya acumulado 3-4 mm de escarcha. Para realizar el proceso de descongelación, tenga en cuenta los siguientes pasos:

1. Desenchufe el aparato.
2. Vacíe el aparato.
3. Mantenga la puerta abierta mientras se esté descongelando.
4. Asegúrese de que el interior está libre de escarcha y limpie la nevera con un paño suave.
5. Vuelva a enchufar, deje que el aparato funcione durante unas 4 horas, luego vuelva a llenarlo.



- **No utilice nunca objetos metálicos o afilados para quitar la escarcha mientras se esté descongelando.**
- **No utilice ningún aparato mecánico o instrumentos para acelerar el proceso de descongelación sin consultar primero al fabricante.**

## Luz interior

Gracias a la iluminación interior puede tener una mejor idea de los productos almacenados. En caso de estar la bombilla de luz interior estropeada, puede cambiarla usted mismo, siguiendo los pasos a continuación:

- desconecte el enchufe de la toma de corriente
- retire el protector de la bombilla
- compruebe si la bombilla está completamente enroscada y a continuación retírela
- reemplace con una bombilla del mismo tipo
- vuelva a poner el protector
- conecte el enchufe a la toma de corriente



## 10. ALMACENAMIENTO

Cuando el aparato esté durante un largo periodo de tiempo sin utilizar, le rogamos que siga las siguientes instrucciones para el almacenamiento correcto de su aparato:

- Apague la unidad y espere un día antes de almacenarla.
- Retire todos los productos del compartimento interior.
- Limpie las partes extraíbles del aparato.
- Deje la puerta abierta para evitar la formación de olores desagradables.
- Cubra el aparato.
- Almacene el frigorífico en posición vertical, en un lugar seco, bien ventilado y evite la exposición directa al sol.

## 11. CONSEJOS

- ✓ No ponga los productos demasiado cerca. Deje suficiente distancia para asegurar una óptima circulación de aire en el frigorífico.
- ✓ No tenga la puerta abierta durante un tiempo prolongado con clima húmedo y caliente. Recuerde que una vez abierta la puerta, debe cerrarla lo antes posible.
- ✓ No ponga alimentos en contacto directo con la pared del frigorífico, deje siempre un espacio.
- ✓ No ponga nunca dentro de la unidad alimentos muy calientes o incluso templados sin esperar primero a que se enfríen.
- ✓ Asegúrese de que la carcasa posterior del aparato está libre de polvo y suciedad, especialmente en unidades equipadas con condensador externo.
- ✓ No ponga en la nevera alimentos que no estén embalados o bien envueltos.

## 12. SOLUCIÓN DE PROBLEMAS

PROBLEMA	CAUSA / SOLUCIÓN
<b>El aparato no funciona</b>	El enchufe no está en la toma de corriente. Ponga el enchufe en la toma de corriente.
<b>No hay iluminación interna</b>	Bombilla defectuosa. Reemplace la bombilla como se sugiere en la sección "MANTENIMIENTO Y LIMPIEZA".
<b>La temperatura del frigorífico es demasiado alta o demasiado baja</b>	El termostato se ha configurado incorrectamente. Seleccione el modo adecuado.
<b>Se forma condensación en la superficie exterior de la unidad</b>	Puede ser debido a un cambio en la temperatura ambiente. Utilice un paño suave para quitar la condensación. Si el problema persiste, póngase en contacto con un técnico certificado para recibir asistencia.
<b>Olores</b>	1) Los alimentos no se almacenan en contenedores sellados 2) Hay productos estropeados dentro 3) El interior necesita ser limpiado

---

**El aparato está haciendo ruido**

- 1) El líquido refrigerante genera ruidos en el sistema refrigerante.
- 2) Se produce ruido cuando el compresor está funcionando, ya que se está bombeando líquido refrigerante dentro de la unidad.
- 3) Asegúrese de que el frigorífico está nivelado y equilibrado.
- 4) Hay alimentos colocados de manera indebida en el frigorífico. Coloque correctamente los alimentos en el frigorífico.
- 5) Compruebe si los componentes del frigorífico están en la posición correcta.

---

**La puerta del frigorífico no se puede cerrar correctamente**

- Asegúrese de que no haya productos obstaculizando la puerta.
- Asegúrese de que el frigorífico no esté demasiado lleno.
- Asegúrese de que el frigorífico no esté inclinado.

---

**El compresor funciona durante mucho tiempo**

- Es normal que el compresor funcione durante mucho tiempo con temperaturas ambiente altas.
- Evite llenar demasiado.
- Espere a que se enfríen los alimentos templados o calientes antes de meterlos en la unidad.
- No abra continuamente la puerta.

---

**Hay hielo por toda la superficie interior de la nevera**

- Siga el "proceso de descongelación" explicado en el Capítulo 9.

Las piezas de repuesto que aparecen en el siguiente tablero pueden adquirirse a través de Inventor:

<b>Piezas</b>	<b>Proporcionado por</b>	<b>Tiempo mínimo de disponibilidad</b>
Termostatos	Personal de mantenimiento profesional	Al menos 7 años después del lanzamiento del último modelo al mercado
Sensores de Temperatura	Personal de mantenimiento profesional	Al menos 7 años después del lanzamiento del último modelo al mercado
Placas de circuito impreso	Personal de mantenimiento profesional	Al menos 7 años después del lanzamiento del último modelo al mercado
Bombillas	Personal de mantenimiento profesional	Al menos 7 años después del lanzamiento del último modelo al mercado
Manijas de puerta	Agentes de reparación profesionales y/o usuarios finales	Al menos 7 años después del lanzamiento del último modelo al mercado
Bisagras de puerta	Agentes de reparación profesionales y/o usuarios finales	Al menos 7 años después del lanzamiento del último modelo al mercado
Bandejas	Agentes de reparación profesionales y/o usuarios finales	Al menos 7 años después del lanzamiento del último modelo al mercado
Canastas	Agentes de reparación profesionales y/o usuarios finales	Al menos 7 años después del lanzamiento del último modelo al mercado
Juntas de puerta	Agentes de reparación profesionales y/o usuarios finales	Al menos 7 años después del lanzamiento del último modelo al mercado

Todas las imágenes del manual se ofrecen solo a título aclaratorio. La forma real de la unidad que ha adquirido puede variar ligeramente, pero las funciones y características son las mismas.

La empresa no será responsable por cualquier información mal impresa. El diseño y las especificaciones del producto por motivos, como la mejora del producto, están sujetos a cambios sin previo aviso. Consulte con el fabricante al +30 211 300 3300 o con el departamento de ventas para obtener más detalles. Cualquier actualización futura del manual aparecerá en nuestra página web y se recomienda verificar siempre la última versión



Escanear aquí para descargar la última versión de este manual.  
[www.inventorappliances.com/es/manuales](http://www.inventorappliances.com/es/manuales)

# Activa tu garantía

Para activar tu garantía sigue los pasos a continuación:

## PASO 1

Visita nuestra página a través del enlace:

<http://www.inventorappliances.com/garantia>

o escanea el código QR a continuación:



## PASO 2

Rellena todos los campos obligatorios tal y como aparecen en los apartados "Datos del Propietario" y "Datos de la Unidad".

Para activar la tarjeta de garantía, por favor, rellene los siguientes campos

Datos del Propietario	Datos de la Unidad
Nombre	Tipología
Dirección*	Número de Serie de la unidad*

## PASO 3

Pulsa el botón "Enviar" en la parte inferior del formulario:

Correo electrónico\*

Suscríbete al boletín informativo de Inventor

**ENVIAR** de garantía, acepta los términos y condiciones.

Una vez finalizada la solicitud de garantía, recibirá un correo electrónico de confirmación.

## PASO 4

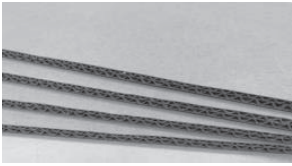
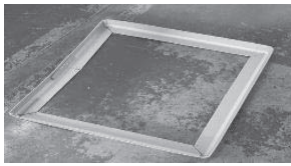


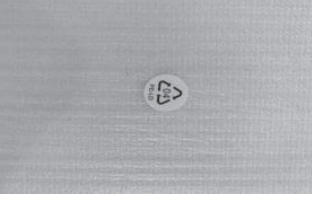
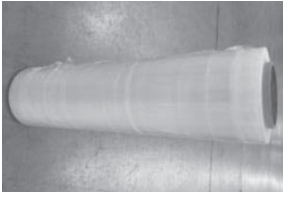





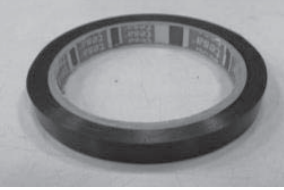


Un correo de confirmación se enviará a la dirección de correo electrónico proporcionada. En caso de no haber recibido el correo, por favor revisa el buzón de correo no deseado.

## PASO 5

Has activado correctamente tu garantía Inventor.

## Etichetta ambientale di imballaggio

Ai sensi del Decreto Legge n. 116/2020, comunichiamo ai clienti le guida per la classificazione e il riciclaggio dei materiali di imballaggio

Nome	numero	Guida di raccolta	Immagine del campione
cartone	PAP 20	raccolta carta	 
Schiuma	PS 6	raccolta plastica	 
Cotone spugnoso di polietilene PE Nastro	LDPE 4	raccolta plastica	 
sacchetto di imballaggio	HDPE 2	raccolta plastica	
Pellicola plastica Nastro da imballaggio PP Nastro sigillante del cartone	PP 5	raccolta plastica	   
PET Nastro	PET 1	raccolta plastica	
Chiodo di tenuta	FE 40	raccolta acciaio	
Cornice di legno	FOR 50	raccolta legno	

\*Le foto sono usate solo come esempio, non significa che il componente sia effettivamente presente nell'imballaggio

\*Si prega di verificare con il comune la specifica modalità di smaltimento dei rifiuti











# REFRIGERATOR MINI BAR



V:1.0.092022

