

ΗΛΕΚΤΡΙΚΕΣ ΣΥΣΚΕΥΕΣ

Models: INVMS240A

# User's Manual

REFRIGERATOR

# Εγχειρίδιο Χρήστη

ΨΥΓΕΙΟ

Σας ευχαριστούμε για την επιλογή ηλεκτρικών συσκευών **INVENTOR**. Για την σωστή χρήση της μονάδας συμβουλευτείτε το εγχειρίδιο και κρατήστε το για μελλοντική αναφορά.

Thank you for choosing INVENTOR electrical appliances. For correct use of this unit, please read this manual carefully and and keep it for future reference.

English/Ελληνικά

 **inventor**<sup>®</sup>  
Your-conditions

## Contents

1.	SAFETY WARNINGS.....	1
2.	INSTALLTION.....	1
2.1	Location.....	2
2.2	Reversing the Door Swing.....	2
2.3	Door Space Requirements.....	6
2.4	Levelling the Unit.....	6
2.5	Cleaning Before Use.....	6
2.6	Before Using Your Unit.....	6
2.7	Interior Accessories.....	7
3.	PRODUCT OVERVIEW.....	7
4.	OPERATION.....	8
4.1	Switching On Your Unit.....	8
4.2	Noise Inside the Unit!.....	9
4.3	Tips for Keeping Food in the Unit.....	9
4.4	Change the Light Bulb.....	9
5.	CLEANING.....	9
5.1	Cleaning the Interior and the Exterior of the Unit.....	9
5.2	Cleaning Tips.....	9
6.	MAINTENANCE.....	10
6.1	Changing the Internal Light.....	10
6.2	Care When Handling / Moving Your Unit.....	10
6.3	Servicing.....	10
6.4	Switching Of for Long Periods of Time.....	10
7.	Trouble shooting.....	10
7.1	Warm tips:.....	11
8.	TIPS FOR ENERGY SAVING.....	11
9.	DISPOSAL.....	11

## 1. SAFETY WARNINGS

- 1) **WARNING**—Keep ventilation openings, in the appliance enclosure or in the built-in structure, clear of obstruction.
- 2) **WARNING**—Do not use mechanical devices or other means to accelerate the defrosting process, other than those recommended by the manufacturer.
- 3) **WARNING**—Do not damage the refrigerant circuit.
- 4) **WARNING**—Do not use electrical appliances inside the food storage compartments of the appliance, unless they are of the type recommended by the manufacturer.
- 5) The appliance has to be unplugged after use and before carrying out user maintenance on the appliance.
- 6) This appliance can be used by children aged from 8 years and above and persons with reduce physical sensory or mental capabilities or lack of experience and knowledge if they have been given supervision or instruction concerning use of the appliance in a safe way and understand the hazards involved. Children shall not play with the appliance. Cleaning and user maintenance shall not be made by children without supervision.
- 7) If the supply cord is damaged, it must be replaced by the manufacturer, its service agent or similarly qualified persons in order to avoid a hazard.
- 8) Please abandon the refrigerator according to local regulators for it use flammable blowing gas and refrigerant.
- 9) Please according to local regulations regarding disposal of the appliance for its flammable refrigerant and blowing gas. Before you scrap the appliance, please take off the doors to prevent children trapped.
- 10) This appliance is intended to be used in household and similar applications such as
  - staff kitchen areas in shops, offices and other working environments;
  - farm houses and by clients in hotels, motels and other residential type environments;
  - bed and breakfast type environments;
  - catering and similar non-retail applications.
- 11) Do not store explosive substances such as aerosol cans with a flammable propellant in this appliance.



IT IS HAZARDOUS FOR ANYONE OTHER THAN AUTHORISED SERVICE PERSONNEL TO CARRY OUT SERVICING OF REPAIRS WHICH INVOLVE THE REMOVAL OF COVERS.



TO AVOID THE RISK OF AN ELECTRICAL SHOCK DO NOT ATTEMPT REPAIRS YOURSELF.

## 2. INSTALLTION

## 2.1 Location

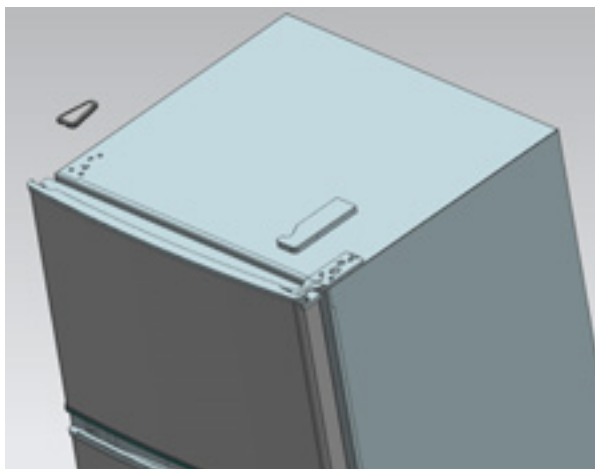
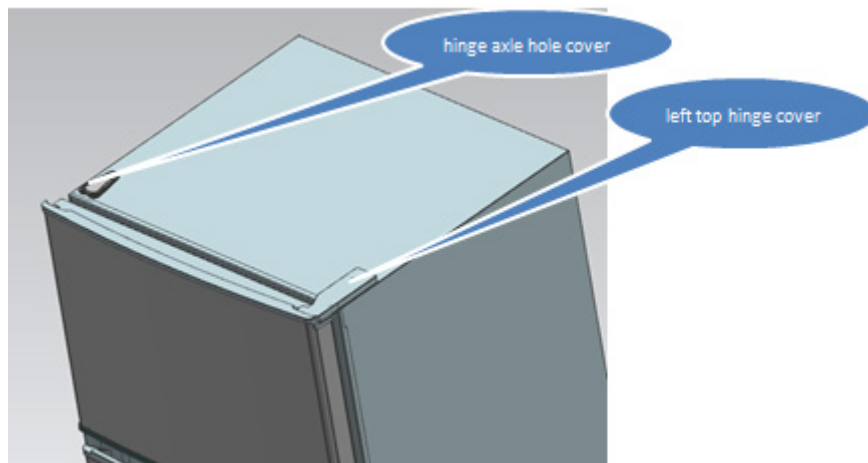
When selecting a position for your unit you should make sure the floor is flat and firm, and the room is well ventilated. Avoid locating your unit near a heat source, e.g. cooker, boiler or radiator. Also avoid direct sunlight as it may increase the electrical consumption. Extreme cold ambient temperatures may also cause the unit not to perform properly. This unit is not designed for use in a garage or outdoor installation. Do not drape the unit with any covering.

When installing the unit, ensure that 10 cm of free space is left at both sides, 10 cm at the rear and 30 cm at the top of the unit. This will allow cold air to circulate around the wine cooler and improve the efficiency of the cooling process.

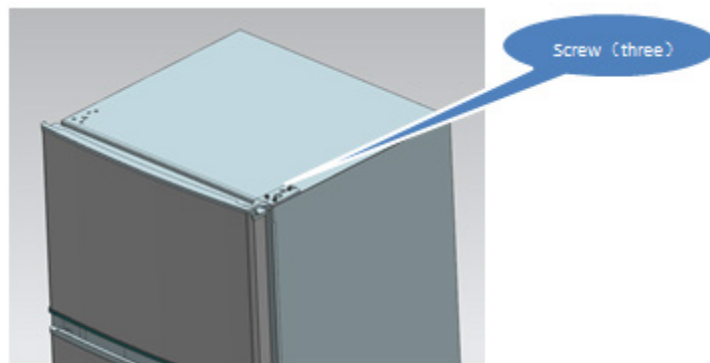
## 2.2 Reversing the Door Swing

**Tools Required:** Phillips style screwdriver / Flat blated screwdriver / Hexagonal spanner

- 1) Remove the right top hinger cover .

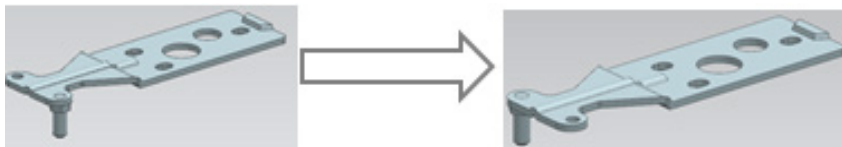


- 2) Remove the screws fixed the top-hinge with cross-slot screwdriver.

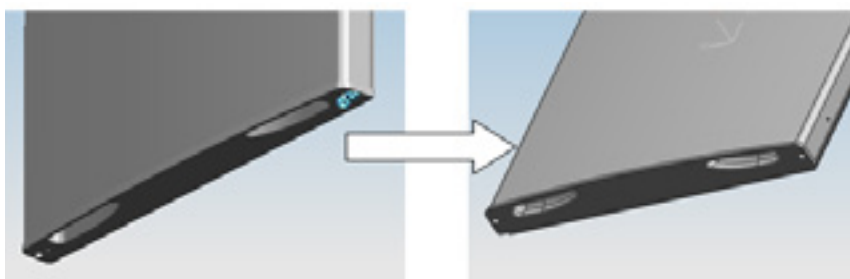


- 3) Replace the top-hinge and the top-door limit block and the door bearing bush to the other side.

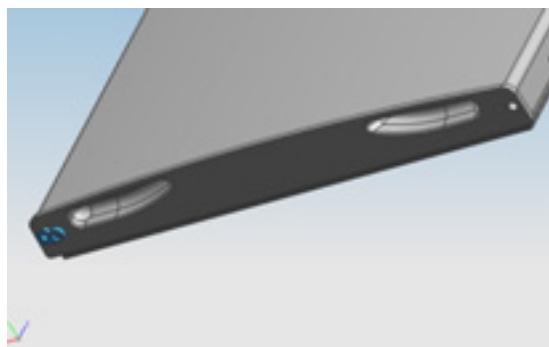
- A. Remove the nut with sleeve. Take off the washer then remove the axes to the other side and fixed.



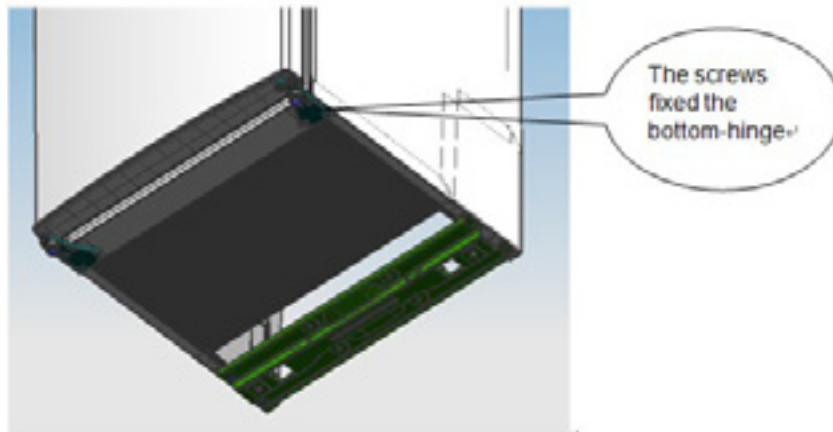
- B. Remove the door limit block



- C. Please taking out another door limit block, with screw mounting to the door

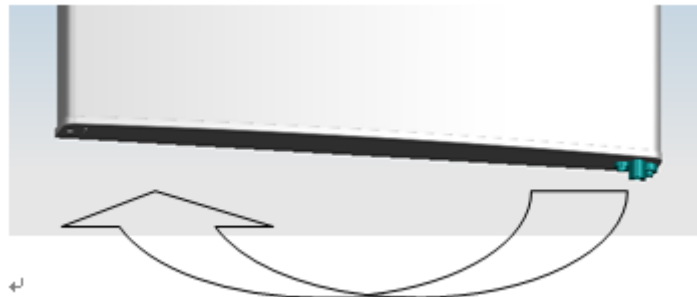


- 4) Disassemble the screws fixed the bottom-hinge with cross-slot screwdriver .

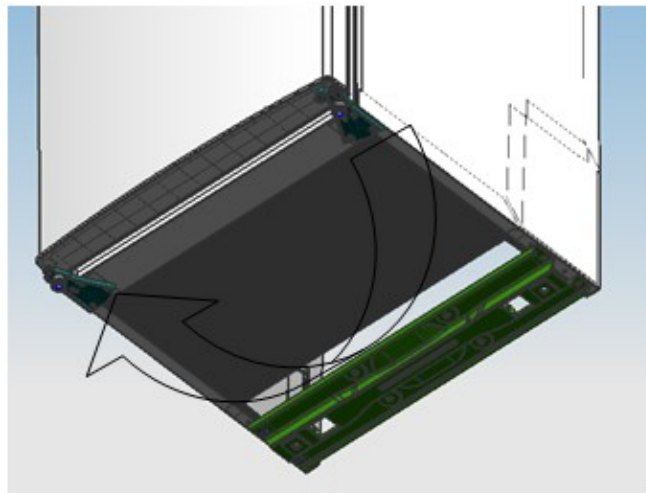


Note: the refrigerator-freezer incline angle less  $45^{\circ}$  .

5) Replace the bottom door bearing bush and the limit block.



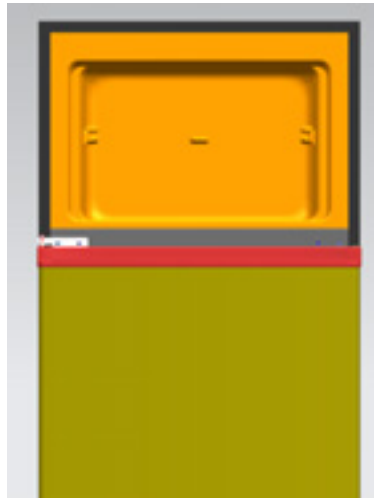
6) Replace the bottom hinge to the other side then fix it with screws.



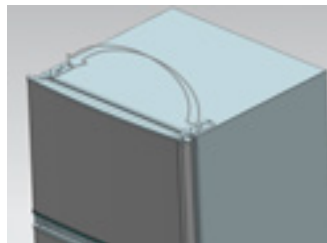
7) Replace the mid-hinge.



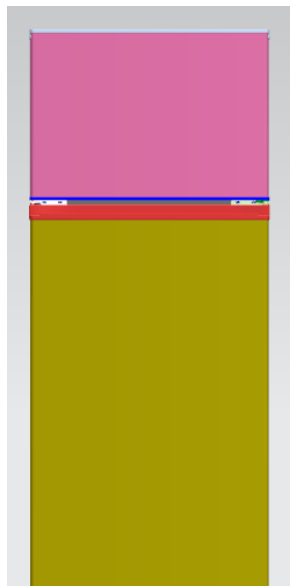
8) Set the bottom door right position,fix the mid-hinge.



9) Replace the top-hinge.



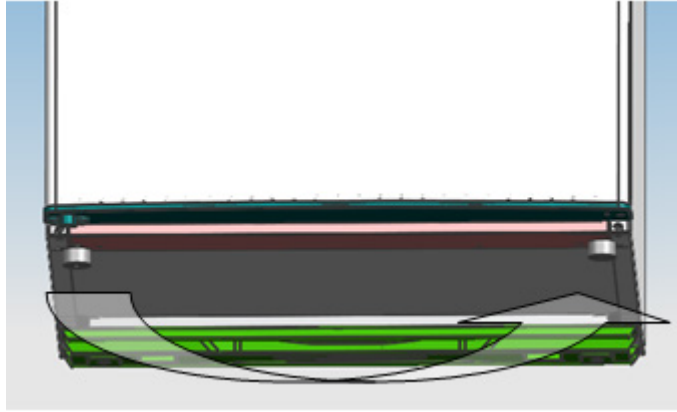
10) Set the top door right position,fix the top-hinge and the cover.



11) Install the four screw caps and two catches to corresponding position.

- Ensure the Appliance is unplugged and empty.
- Adjust the two leveling feet to their highest position.
- We recommend you have someone to assist you.

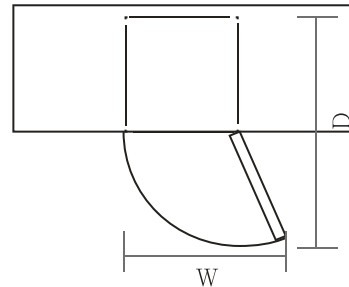
12) replace the leveler to the other side and adjust it to make sure the cabinet level.



### 2.3 Door Space Requirements

The unit's door must be able to open fully as shown.

$$W \times D \geq 902 \times 1052 \text{mm}$$

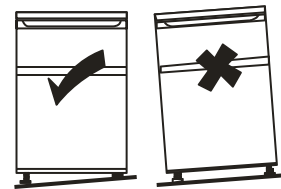


### 2.4 Levelling the Unit

To do this adjust the two levelling feet at the front of the unit. If the unit is not level, the door and magnetic seal alignments will not be covered properly.

Make sure that the foot touches the ground before use.

Look down from the top, clockwise and counterclockwise loosening, tightening.



### 2.5 Cleaning Before Use

Wipe the inside of the unit with a weak solution of bicarbonate soda. Then rinse with warm water using a 'Wrung-out' sponge or cloth. Wash the shelves and salad bin in warm soapy water and dry completely before replacing in the unit. Clean the exterior of the unit with a damp cloth. If you require more information refer to the Cleaning section.

### 2.6 Before Using Your Unit

Do not damage the power cord under any condition so as to ensure safety use, do not use when the power cord is damaged or the plug is worn.

Do not put flammable, explosive, volatile and highly corrosive items in the refrigerator to prevent



damages to the product or fire accidents.

Do not place flammable items near the refrigerator to avoid fires.

This product is household refrigerators and shall be only suitable for the storage of foods. According to national standards, household refrigerators shall not be used for other purposes, such as storage of blood, drugs or biological products.

Do not place items such as bottled or sealed container of fluid such as bottled beers and beverages in the freezer to prevent bursts and other losses.

Before placing any food in your unit, turn it on and wait for 24 hours, to make sure it is working properly and to allow it time to fall to the correct temperature. Your unit should not be overfilled.



◆ **Before Plugging in**

You must check that you have a socket which is compatible with the plug supplied with the unit.

◆ **Before Turning On!**

Do not turn on until two hours after moving the unit.

## 2.7 Interior Accessories

Various glass or plastic storage shelves are included with your appliance - different models have different combinations.

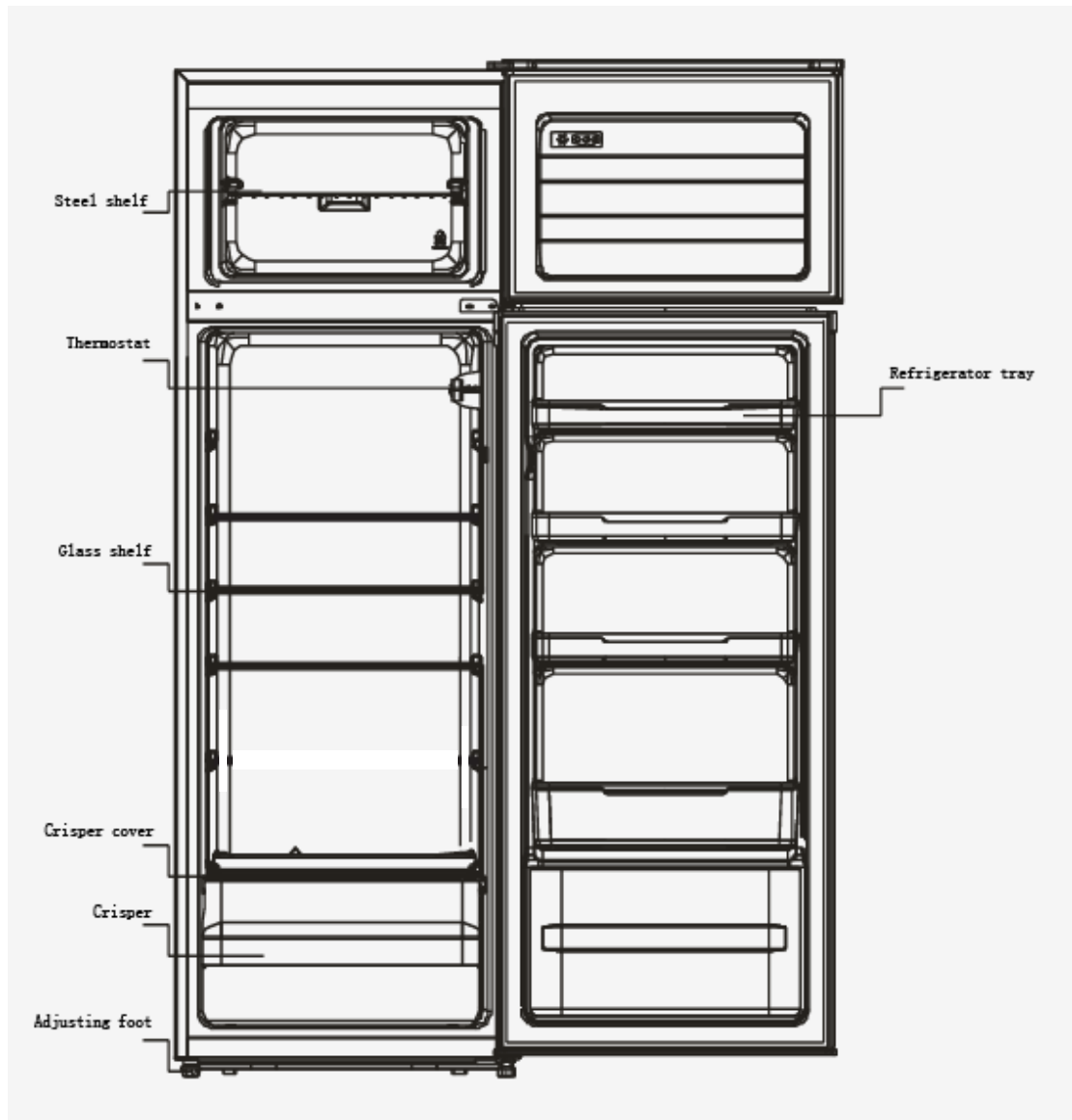
You should always slide one of the full size glass storage shelves into the lowest set of guides, above the fruit and vegetable containers, and keep it in this position. To do this, pull the storage shelf forward until it can be swivelled upwards or downwards and removed.

Please do the same in reverse to insert the shelf at a different height.



In order to make the most of the volume of the fresh food storage compartment and frozen-food storage compartment, the user can remove one or more shelves, drawers, out of the appliance, according to your daily use.

## 3. PRODUCT OVERVIEW



\*All images in this instruction manual are for indication only; please refer to your individual unit for details.

## 4. OPERATION

### 4.1 Switching On Your Unit

◆ The temperature selector knob is located on the right hand side wall of the refrigerator interior

Setting “Off”: Unit Off

Setting “Min”: Less Cool Temperature

Setting “Med”: Normal Operation (adequate for most situations)

Setting “Max”: Coolest Temperature

◆ During high ambient temperatures e.g. on hot summer days. It may be necessary to set the

thermostat to the Coolest setting(position“Max”).This may cause the compressor running continuously in order to maintain a low temperature in the cabinet.

◆ For the first time you install your refrigerator, set the thermostat knob at “Med”.

Give your refrigerator time to cool down completely before adding food. It is the best to wait 24 hours before adding food. The thermostat knob controls the temperature. When the thermostat control knob is set to OFF, the refrigerator will not be running.

#### 4.2 Noise Inside the Unit!

You may notice that your unit makes some unusual noises. Most of these are perfectly normal, but you should be aware of them!

These noises are caused by the circulation of the refrigerant liquid in the cooling system. It has become more pronounced since the introduction of CFC free gases. This is not a fault and will not affect the performance of your unit. This is the compressor motor working, as it pumps the refrigerant around the system.

#### 4.3 Tips for Keeping Food in the Unit

- ◆ Cooked meats/fishes should always be stored on a shelf above raw meats/fishes to avoid bacterial transfer. Keep raw meats/fishes in a container which is large enough to collect juices and cover it properly. Place the container on the lowest shelf.
- ◆ Leave space around your food, to allow air to circulate inside the unit. Ensure all parts of the unit are kept cool.
- ◆ To prevent transfer of favours and drying out, pack or cover the food separately. Fruit and vegetables do not need to be wrapped.
- ◆ Always let pre-cooked food cool down before you put in the unit. This will help to maintain the internal temperature of the unit.
- ◆ To prevent cold air escaping from the unit, try to limit the number of times you open the door. We recommend that you only open the door when you need to put food in or take food out.

#### 4.4 Change the Light Bulb

Lamp replacement by professionals

## 5. CLEANING

### 5.1 Cleaning the Interior and the Exterior of the Unit

- ◆ Remove all the shelves and the salad bin. To remove the salad bin first remove the lower door shelf.
- ◆ Wipe the inside of the unit with a weak solution of bicarbonate soda and then rinse with warm water using a “ wrung-out ” sponge or cloth. Wipe completely dry before replacing the shelves and salad bin.
- ◆ Use a damp cloth to clean the exterior, and then wipe with a standard furniture polish. Make sure that the door is closed to avoid the polish getting on the magnetic door seal or inside the unit.
- ◆ The grille of the condenser at the back of the unit and the adjacent components can be vacuumed using a soft brush attachment.

### 5.2 Cleaning Tips

Condensation may appear on the outside of the unit. This may be due to a change in room

temperature. Wipe of any moisture residue. If the problem continues, please contact a qualified technician for assistance.

## 6. MAINTENANCE

### 6.1 Changing the Internal Light

Lamp replacement by professionals.

### 6.2 Care When Handling / Moving Your Unit

Hold the unit around its sides or base when moving it. Under no circumstances should it be lifted by holding the edges of the top surface.

### 6.3 Servicing

The unit should be serviced by an authorized engineer and only genuine spare parts should be used. Under no circumstances should you attempt to repair the unit yourself. Repairs carried out by inexperienced persons may cause injury or serious malfunction. Contact a qualitatively technician.

### 6.4 Switching Of for Long Periods of Time

When the unit is not in use for a long period of time, disconnect it from the mains supply, empty all food and clean the appliance, leaving the door ajar to prevent unpleasant smells.

## 7. Trouble shooting

The following simple issues can be handled by the user. Please call the after-sale service department if the issues are not settled.

Inoperation	Whether the freezer is plugged and connected to power; Low voltage; Failure power or tripping circuit
Odor	Odorous foods should closely wrapped; Whether foods are rotten; Whether the interior shall be cleaned.
Long-term operation of compressor	It is normal that refrigerator operates for longer time in summer when the ambient temperature is higher; Do not put too much food in the freezer at one time; Do not put foods until they are cooled; Frequent opening of refrigerator door.
Illuminating light does not shine	Whether the refrigerator is connected to power, whether the illuminating light is damaged.
The refrigerator door can not be properly closed.	The freezer door is stuck by food packages; Too much food; Tilt refrigerator.
Loud noises	Whether the food is leveled, whether the refrigerator is balanced; Whether the refrigerator parts are properly placed.

### 7.1 Warm tips:

- ◆ The refrigerator enclosure may emit heat during operation specially in summer, this is caused by the radiation of the condenser, and it is a normal phenomenon.
- ◆ Condensation: condensation phenomenon will be detected on the exterior surface and door seals of the freezer when the ambient humidity is large, this is a normal phenomenon, and the condensation can be wiped away with a dry towel.
- ◆ Buzz: Buzz will be generated by running compressor specially when starting up or shutting down.

## 8. TIPS FOR ENERGY SAVING

Try not to open the door too often, especially when the weather is wet and hot. Once you open the door, close it as soon as possible.

Every now and then check if the appliance is sufficiently ventilated (adequate air circulation behind the appliance).

In normal temperature conditions, please arrange the thermostat at the middle setting.

Before loading the appliance with packages of fresh food, make sure they are cooled to ambient temperature.

Ice and frost layer increase energy consumption, so clean the appliance as soon as the layer is 3-5 mm thick.

If it is the outer condenser, the rear wall should be always clean free of dust or any impurities.


- ◆ The appliance should be located in the coolest area of the room, away from heat producing appliances or heating ducts, and out of the direct sunlight.
- ◆ Let hot foods cool to room temperature before placing in the appliance. Overloading the appliance forces the compressor to run longer. Foods that freeze too slowly may lose quality, or spoil.
- ◆ Be sure to wrap foods properly, and wipe containers dry before placing them in the appliance. This cuts down on frost build-up inside the appliance.
- ◆ Appliance storage bin should not be lined with aluminum foil, wax paper, or paper toweling. Liners interfere with cold air circulation, making the appliance less efficient.
- ◆ Organize and label food to reduce door openings and extended searches. Remove as many items as needed at one time, and close the door as soon as possible.

## 9. DISPOSAL

Old units still have some residual value. An environmentally friendly method of disposal will ensure that valuable raw materials can be recovered and used again. The refrigerant used in your unit and insulation materials require special disposal procedures. Ensure that none of the pipes on the back of the unit are damaged prior to disposal. Up to date information concerning options of disposing of your old unit and packaging from the new one can be obtained from your local council office.

When disposing of an old unit break of any old locks or latches and remove the door as a

safeguard.

Correct Disposal of this product	
	<p>Correct Disposal of this product</p> <p>This marking indicates that this product should not be disposed with other household wastes throughout the EU. To prevent possible harm to the environment or human health from uncontrolled waste disposal, recycle it responsibly to promote the sustainable reuse of material resources. To return your used device, please use the return and collection systems or contact the retailer where the product was purchased. They can take this product for environmental safe recycling.</p>

For more information, please contact the local authority or your retailer where you purchased the product.

## ΠΕΡΙΕΧΟΜΕΝΑ

<b>1.</b>	<b>ΟΔΗΓΙΕΣ ΑΣΦΑΛΕΙΑΣ</b> .....	<b>1</b>
<b>2.</b>	<b>ΕΓΚΑΤΑΣΤΑΣΗ</b> .....	<b>2</b>
	2.1 Τοποθεσία .....	2
	2.2 Αναστροφή πόρτας .....	2
	2.3 Απαιτήσεις χώρου για τη πόρτα .....	6
	2.4 Ευθυγράμμιση της μονάδας .....	6
	2.5 Καθαρισμός πριν τη χρήση .....	6
	2.6 Πρίν τη χρήση της μονάδας .....	7
	2.7 Εσωτερικά αξεσουάρ .....	7
<b>3.</b>	<b>ΕΠΙΣΚΟΠΗΣΗ ΤΗΣ ΜΟΝΑΔΑΣ</b> .....	<b>8</b>
<b>4.</b>	<b>ΛΕΙΤΟΥΡΓΙΑ</b> .....	<b>8</b>
	4.1 Ενεργοποίηση της μονάδας .....	8
	4.2 Θόρυβος εντός της μονάδας! .....	9
	4.3 Συμβουλές για την αποθήκευση τροφίμων .....	9
	4.4 Αλλαγή της λυχνίας .....	9
<b>5.</b>	<b>ΚΑΘΑΡΙΣΜΟΣ</b> .....	<b>9</b>
	5.1 Καθαρισμός του εσωτερικού και του εξωτερικού της μονάδας .....	9
	5.2 Συμβουλές καθαρισμού .....	10
<b>6.</b>	<b>ΣΥΝΤΗΡΗΣΗ</b> .....	<b>10</b>
	6.1 Αλλαγή της εσωτερικής λυχνίας .....	10
	6.2 Προσοχή κατά τη μεταφορά/μετακίνηση της μονάδας .....	10
	6.3 Επισκευή .....	10
	6.4 Απενεργοποίηση για μεγάλο χρονικό διάστημα .....	10
<b>7.</b>	<b>ΑΝΙΧΝΕΥΣΗ ΒΛΑΒΩΝ</b> .....	<b>10</b>
	7.1 Συμβουλές για τη θερμότητα .....	11
<b>8.</b>	<b>ΣΥΜΒΟΥΛΕΣ ΓΙΑ ΕΞΟΙΚΟΝΟΜΗΣΗ ΕΝΕΡΓΕΙΑΣ</b> .....	<b>11</b>
<b>9.</b>	<b>ΑΠΟΡΡΙΨΗ</b> .....	<b>12</b>

## ΟΔΗΓΙΕΣ ΑΣΦΑΛΕΙΑΣ

- 1) ΠΡΟΣΟΧΗ! Διατηρείτε ελεύθερα τα ανοίγματα των αεραγωγών της συσκευής είτε αυτά είναι εξωτερικά είτε εσωτερικά.
- 2) ΠΡΟΣΟΧΗ! Μην χρησιμοποιείτε άλλες συσκευές ή άλλες μεθόδους για την επιτάχυνση της απόψυξης. Ακολουθήστε τις οδηγίες του κατασκευαστή.
- 3) ΠΡΟΣΟΧΗ! Μην προκαλέσετε βλάβη στο κύκλωμα του ψυκτικού υγρού.
- 4) ΠΡΟΣΟΧΗ! Μην χρησιμοποιείτε άλλες ηλεκτρονικές συσκευές εντός της μονάδας, εκτός εάν εγκρίνονται από τον κατασκευαστή.
- 5) Πρίν τη συντήρηση ή τον καθαρισμό η συσκευή πρέπει να αποσυνδεθεί από την παροχή ρεύματος
- 6) Αυτή η συσκευή μπορεί να χρησιμοποιηθεί από παιδιά (8 ετών και άνω), άτομα με ειδικές ανάγκες και άτομα χωρίς γνώση ή εμπειρία για τη χρήση της συσκευής, ΜΟΝΟ όταν υπάρχει επίβλεψη και ενημέρωση για την σωστή χρήση της συσκευής και τους πιθανούς κινδύνους. Ο καθαρισμός και η συντήρηση δεν πρέπει να εκτελείται από παιδιά χωρίς επίβλεψη. Τα παιδιά δεν πρέπει να παίζουν με τη συσκευή.
- 7) Εάν το καλώδιο τροφοδοσίας έχει υποστεί φθορά, πρέπει να αντικατασταθεί από τον κατασκευαστή, εξουσιοδοτημένο επισκευαστικό κέντρο ή εξειδικευμένο τεχνικό για την αποφυγή κινδύνου.
- 8) Κατά την απόρριψη, ακολουθήστε τους τοπικούς κανονισμούς και νόμους για την απομάκρυνση των εύφλεκτων αερίων και του ψυκτικού υγρού τα οποία περιέχει η συσκευή.
- 9) Για την απόρριψη της συσκευής, ακολουθήστε τους τοπικούς κανονισμούς και νόμους, η συσκευή περιέχει εύφλεκτα αέρια και ψυκτικό υγρό. Πρίν την ανακύκλωση της μονάδας αφαιρέστε τη πόρτα για την αποφυγή παγίδευσης μικρού παιδιού ή ζώου.
- 10) Αυτή η συσκευή προορίζεται για οικιακή χρήση και παρόμοιες εφαρμογές όπως:
  - Κουζίνες καταστημάτων, γραφεία και άλλα περιβάλλοντα εργασίας.
  - Αγροτικές κατοικίες, ξενοδοχειακές μονάδες, και άλλα παρόμοια καταλύματα.
  - Υπηρεσίες εστίασης και άλλες παρόμοιες εφαρμογές.
- 11) Μην αποθηκεύετε δοχεία με εκρηκτικές ουσίες ή με εύλεκτες ουσίες σε αυτή τη συσκευή.



ΟΠΟΙΑΔΗΠΟΤΕ ΕΝΕΡΓΕΙΑ ΕΠΙΣΚΕΥΗΣ Ή ΣΥΝΤΗΡΗΣΗΣ Η ΟΠΟΙΑ ΠΕΡΙΛΑΜΒΑΝΕΙ ΤΗΝ ΑΦΑΙΡΕΣΗ ΚΑΛΥΜΜΑΤΩΝ ΑΠΟΤΕΛΕΙ ΚΙΝΔΥΝΟ ΓΙΑ ΟΛΟΥΣ ΕΚΤΟΣ ΑΠΟ ΕΞΕΙΔΙΚΕΥΜΕΝΟ ΠΡΟΣΩΠΙΚΟ.



ΓΙΑ ΤΗΝ ΑΠΟΦΥΓΗ ΗΛΕΚΤΡΟΠΛΗΞΙΑΣ ΜΗΝ ΕΠΙΧΕΙΡΗΣΕΤΕ ΕΠΙΣΚΕΥΕΣ ΜΟΝΟΙ ΣΑΣ



## 2. ΕΓΚΑΤΑΣΤΑΣΗ

### 2.1 Τοποθεσία

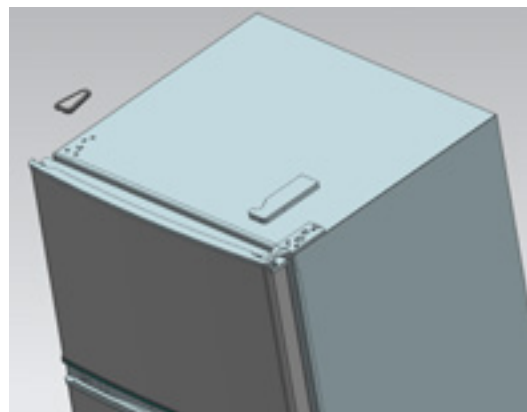
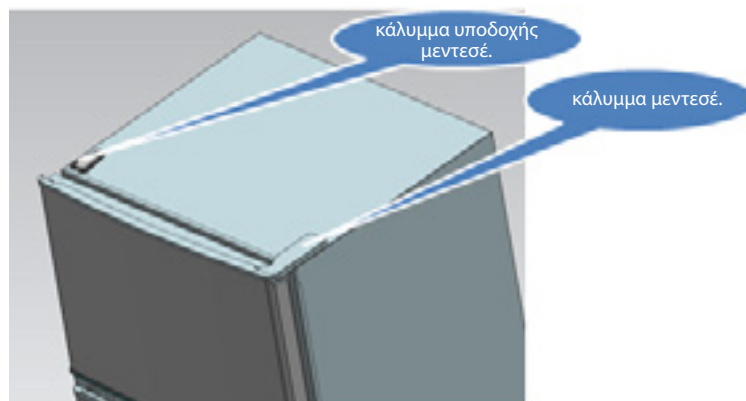
Όταν επιλέγετε την τοποθεσία για την εγκατάσταση της συσκευής βεβαιωθείτε ότι το δάπεδο είναι επίπεδο και σταθερό και ότι χρος αερίζεται επαρκώς. Αποφύγετε την εγκατάσταση της συσκευής κοντά σε πηγές θερμότητας, όπως εστία μαγειρικής, καυστήρας και καλοριφέρ. Ακόμη αποφύγετε την εγκατάσταση σε σημείο με μεγάλη έκθεση στον ήλιο, αυτό μπορεί να προκαλέσει αύξηση της κατανάλωσης ρεύματος. Η πολύ χαμηλή θερμοκρασία στο χώρο μπορεί να προκαλέσει την μη ομαλή λειτουργία της συσκευής. Η συσκευή αυτή δεν είναι σχεδιασμένη για χρήση σε ανοιχτό ή εξωτερικό χώρο. Μην καλύπτετε τη συσκευή.

Κατά την εγκατάσταση βεβαιωθείτε ότι υπάρχει κενός χώρος 10cm στα πλάγια της συσκευής, 10 cm στο πίσω μέρος και 30cm στο πάνω μέρος. Αυτό θα επιτρέψει τη σωστή κυκλοφορία του αέρα γύρω από τη συσκευή, βελτιώνοντας την αποδοτικότητα της ψύξης.

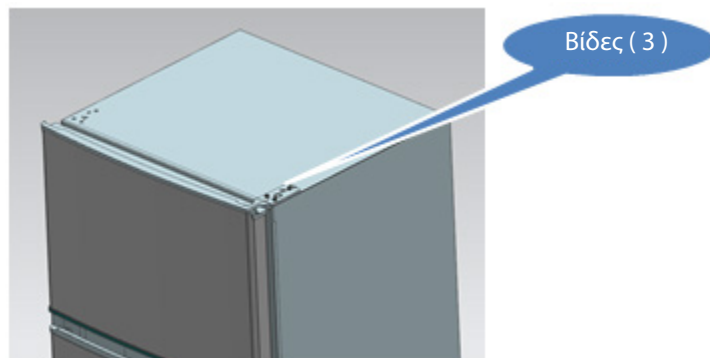
### 2.2 Αναστροφή πόρτας

Απαραίτητα εργαλεία : Κατσαβίδι σταυρού / Ίσιο κατσαβίδι / Εξαγωνικό κλειδί.

1) Αφαιρέστε το κάλυμμα του πάνω μεντεσέ.

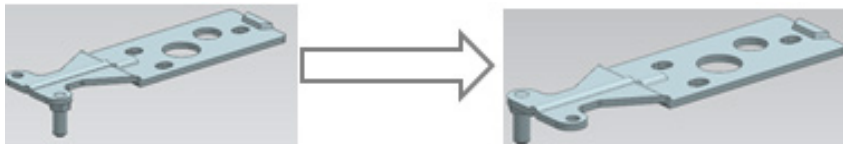


- 2) Αφαιρέστε τις βίδες που συγκρατούν το μεντεσέ με κατσαβίδι σταυρού.

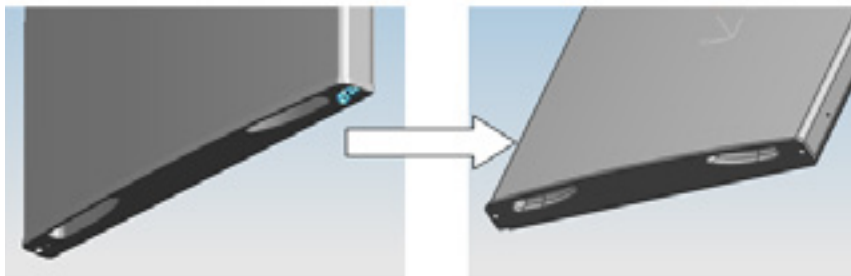


- 3) Μετακίνηση του μεντεσέ, του στόπ της πόρτας και του κουζινέτου στην άλλη πλευρά.

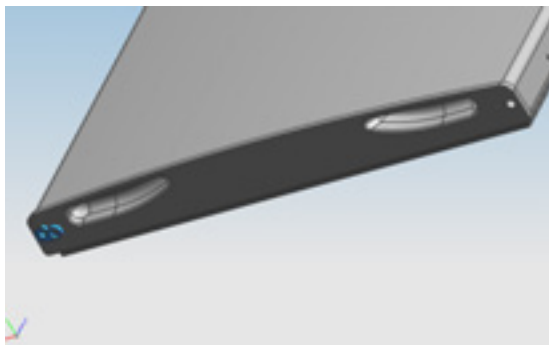
- A. Αφαιρέστε το πίσω, αναστρέψτε το μεντεσέ και ξαναισάγετε το πίσω με την ίδια φορά. Μεταφέρετε το μεντεσέ στην άλλη μεριά της συσκευής.



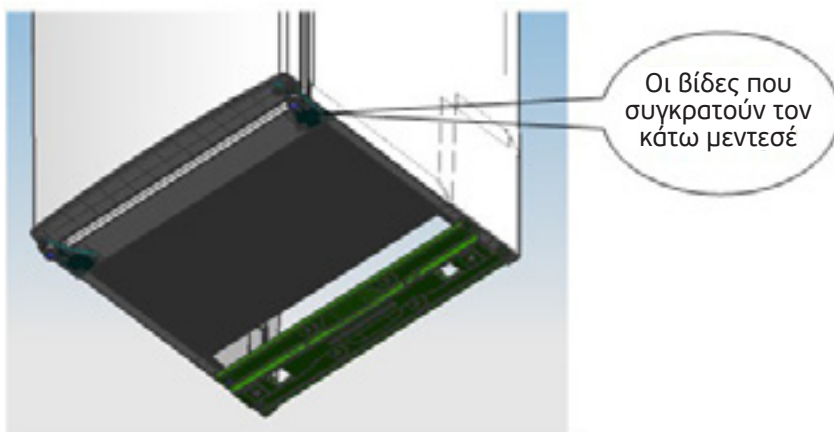
- B. Αφαιρέστε το στόπ της πόρτας.



- C. Επανατοθετείστε το στόπ της πόρτας στην άλλη μεριά της πόρτας και στερεώστε το με βίδα.

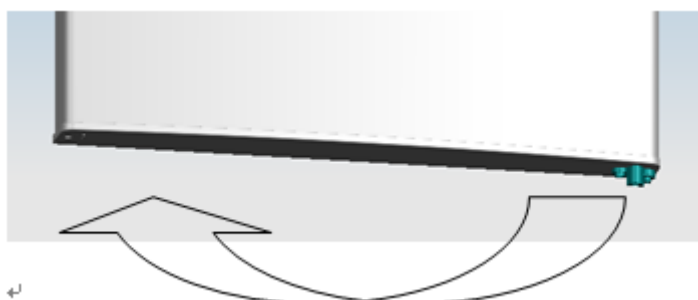


4) Αφαιρέστε τις βίδες που συγκρατούν τον κάτω μεντεσέ με ένα κατσαβίδι σταυρού.

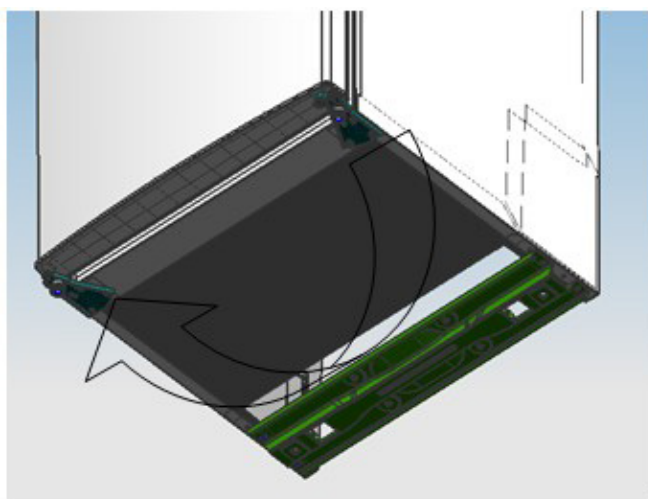


ΣΗΜΕΙΩΣΗ: Μην ανακλίνετε τη συσκευή σε γωνία μεγαλύτερη των 45°

5) Μεταφέρετε το κάτω στόπ της πόρτας και το κουζινέτο στην άλλη πλευρά.



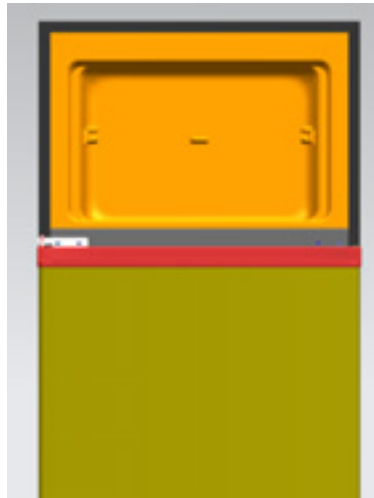
6) Μεταφέρετε τον κάτω μεντεσέ στην άλλη πλευρά και στερεώστε τον με τις βίδες.



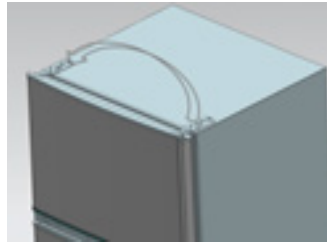
7) Μεταφέρετε τον ενδιάμεσο μεντεσέ στην άλλη πλευρά και στερεώστε τον με τις βίδες.



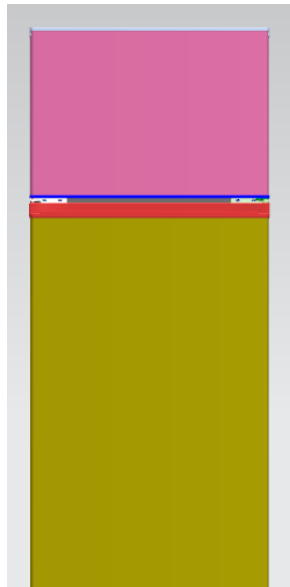
8) Τοποθετήστε τη κάτω πόρτα στη σωστή θέση και στερεώστε τον μεντεσέ.



9) Μεταφέρετε τον πάνω μεντεσέ στην άλλη πλευρά.



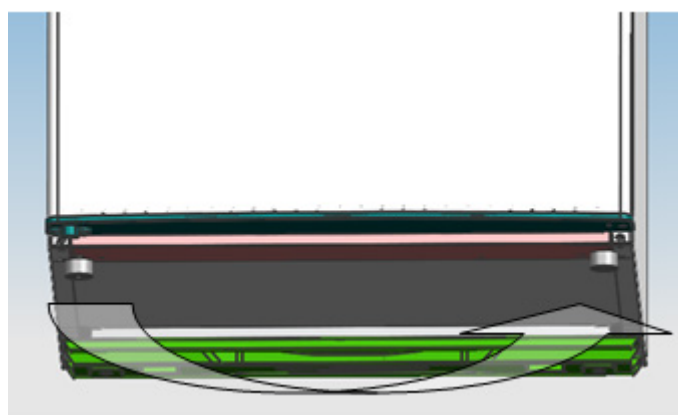
10) Τοποθετήστε τη πάνω πόρτα στη σωστή θέση και στερεώστε τον πάνω μεντεσέ και το κάλυμμα.



11) Τοποθετήστε τα 4 καλύμματα των βιδών και τα 2 στηρίγματα στις αντίστοιχες θέσεις.

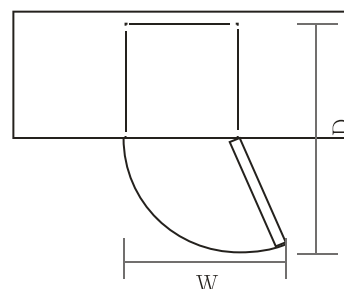
- Βεβαιωθείτε ότι η συσκευή δεν είναι γεμάτη και δεν είναι συνδεδεμένη στο ηλεκτρικό ρεύμα.
- Ρυθμίστε τα 2 στοιχεία στήριξης στην υψηλότερη τους θέση.
- Σας συνιστούμε να έχετε κάποιον να σας βοηθά.

- 12) Μεταφέρετε το στοιχείο στήριξης στην άλλη πλευρά και ρυθμίστε το ύψος ώστε η συσκευή να είναι επίπεδη.



### 2.3 ΑΠΑΙΤΗΣΕΙΣ ΧΩΡΟΥ ΓΙΑ ΤΗ ΠΟΡΤΑ.

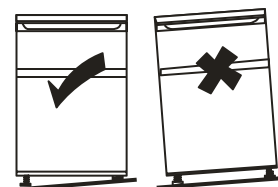
Η πόρτα πρέπει να ανοίγει πλήρως όπως φαίνεται στο σχήμα.  
 $W \times D \geq 902 \times 1052 \text{mm}$



### 2.4 ΕΥΘΥΓΡΑΜΜΙΣΗ ΤΗΣ ΜΟΝΑΔΑΣ

Για να επιτύχετε την σταθεροποίηση της συσκευής, ρυθμίστε καθ' ύψος τα μπροστινά στοιχεία στήριξης ώστε η συσκευή να είναι επίπεδη και σταθερή. Αν η συσκευή δεν είναι σταθερή ενδέχεται να προκληθεί πρόβλημα με το μαγνητικό σφράγισμα της πόρτας.

Βεβαιωθείτε ότι τα στοιχεία στήριξης ακουμπούν στο δάπεδο. Για να ρυθμίσετε το ύψος των στοιχείων περιστρέψτε τα δεξιόστροφα ή αριστερόστροφα.



### 2.5 ΚΑΘΑΡΙΣΜΟΣ ΠΡΙΝ ΤΗ ΧΡΗΣΗ

Καθαρίστε το εσωτερικό με ένα ελαφρύ διάλυμα σόδας. Ξεπλύνετε το με χλιαρό νερό και χρησιμοποιήστε ένα σφουγγάρι ή ένα πανί. Πλύνετε τα ράφια και το δοχείο σε ζεστό νερό με σαπούνι και αφήστε τα να στεγνώσουν πλήρως πριν τα επανατοποθετήσετε στη συσκευή. Καθαρίστε το εξωτερικό της συσκευής με ένα βρεγμένο πανί. Εάν χρειάζεστε παραπάνω πληροφορίες ανατρέξτε στο κεφάλαιο " Καθαρισμός ".

## 2.6 ΠΡΙΝ ΤΗ ΧΡΗΣΗ ΤΗΣ ΜΟΝΑΔΑΣ

Μην προκαλέσετε φθορά στο καλώδιο τροφοδοσίας για να διασφαλίσετε την ασφαλή λειτουργία της συσκευής.

Μην χρησιμοποιείτε τη συσκευή εάν το καλώδιο έχει υποστεί φθορά ή έχει φθαρεί το βίσμα.

Μην τοποθετείτε εύφλεκτα, εκρηκτικά, πτητικά ή διαβρωτικά στοιχεία στη συσκευή για την αποφυγή ζημιάς στη συσκευή και την αποφυγή πυρκαγιάς. Μην τοποθετείτε εύφλεκτα αντικείμενα κοντά στη συσκευή για την αποφυγή πυρκαγιάς.

Αυτή η συσκευή είναι για οικιακή χρήση και είναι κατάλληλη μόνο για την αποθήκευση τροφίμων.

Σύμφωνα με τους εθνικούς κανονισμούς, τα οικιακά ψυγεία δεν πρέπει να χρησιμοποιούνται για άλλο σκοπό όπως η αποθήκευση αίματος, φαρμάκων ή άλλα βιολογικά προϊόντα.

Μην τοποθετείτε εμφιαλωμένα υγρά στην κατάψυξη, όπως μπύρες και αναψυκτικά, για την αποφυγή έκρηξης, διαρροής ή άλλης απώλειας.

Πριν τοποθετήσετε τρόφιμα στη συσκευή, θέστε τη σε λειτουργία για 24 ώρες για να βεβαιωθείτε ότι λειτουργεί σωστά και ότι θα έχει αποκτήσει τη σωστή θερμοκρασία. Δεν πρέπει να παραγεμίζετε τη συσκευή σας.



- 1 ΠΡΙΝ ΣΥΝΔΕΣΕΤΕ ΤΗ ΣΥΣΚΕΥΗ ΣΤΟ ΔΙΚΤΥΟ ΠΑΡΟΧΗΣ ΕΝΕΡΓΕΙΑΣ!  
Ελέγξτε ότι η πρίζα είναι συμβατή με το βύσμα της συσκευής.

- 2 ΠΡΙΝ ΤΗΝ ΕΝΕΡΓΟΠΟΙΗΣΗ  
Μην ενεργοποιήσετε τη συσκευή για 2 ώρες μετά την μετακίνηση.

## 2.7 ΕΣΩΤΕΡΙΚΑ ΑΞΕΣΟΥΑΡ

Διάφορα γυάλινα και πλαστικά ράφια συμπεριλαμβάνονται στην συσκευή σας - (τα διαφορετικά μοντέλα έχουν διαφορετικούς συνδυασμούς).

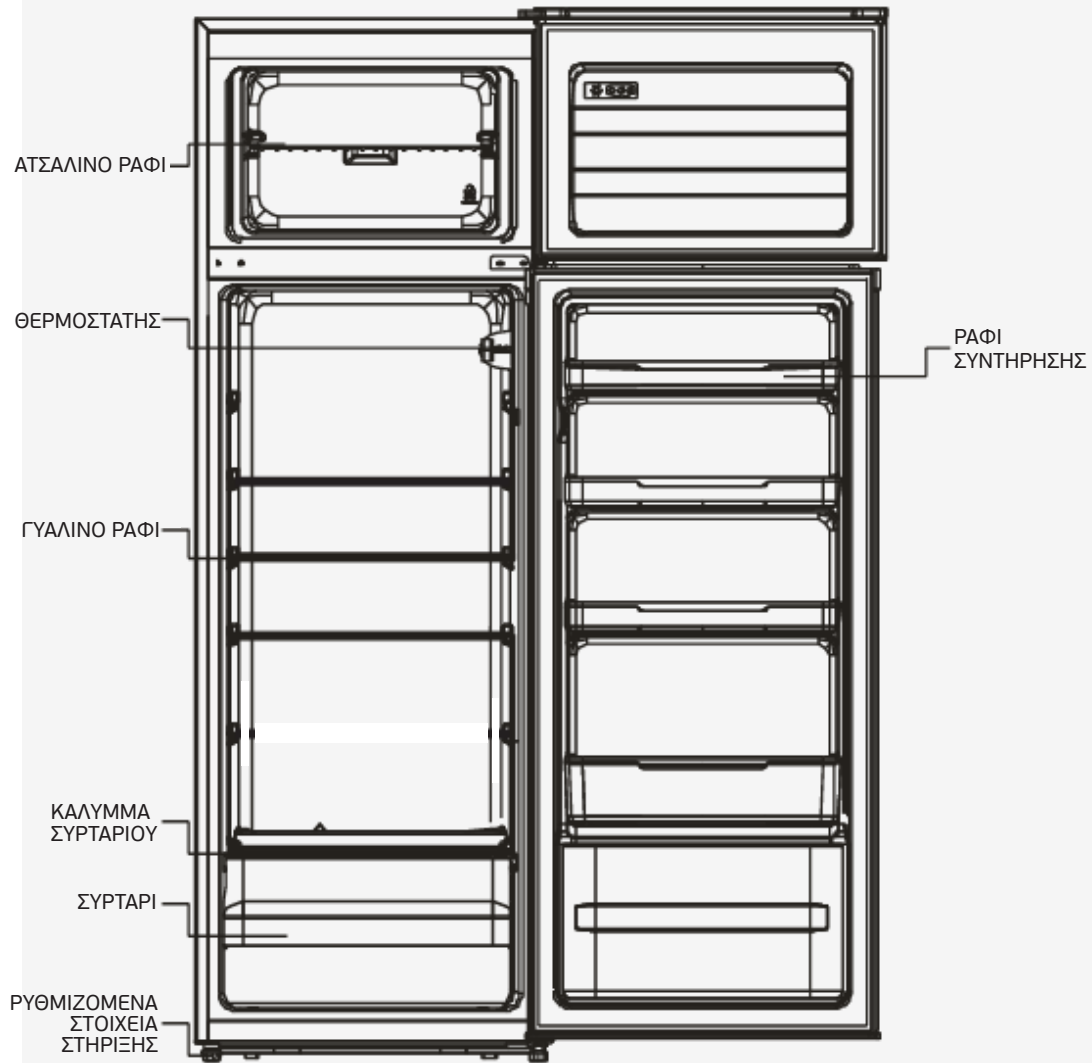
Πρέπει πάντα να τοποθετείτε τα γυάλινα ράφια στη χαμηλότερη θέση των οδηγών, πάνω από το δοχείο των φρούτων και να το αφήσετε σε αυτή τη θέση. Για να το κάνετε αυτό πιέστε το ράφι προς τα μέσα ώστε να μην μπορεί να κινηθεί προς τα πάνω ή προς τα κάτω και να αφαιρεθεί.

Κάντε το αντίστροφο για να αφαιρέσετε το ράφι και να τοποθετήσετε σε άλλη θέση.



- Για να αποκτήσετε παραπάνω χώρο εντός της συσκευής αφαιρώντας ένα ράφι ή ένα συρτάρι σύμφωνα με τις καθημερινές σας ανάγκες.

### 3 ΕΠΙΣΚΟΠΗΣΗ ΤΗΣ ΜΟΝΑΔΑΣ



\* Όλες οι εικόνες του εγχειριδίου είναι ενδεικτικές, παρακαλείσθε να ανατρέξετε στο φυσικό σας μοντέλο για περισσότερες πληροφορίες.

### 4 ΛΕΙΤΟΥΡΓΙΑ

#### 4.1 Ενεργοποίηση της μονάδας

1. Ο διακόπτης ρύθμισης της θερμοκρασίας βρίσκεται στο δεξιό εσωτερικό κάθετο πάνελ της συσκευής.

Ρύθμιση "OFF" : Απενεργοποιημένη συσκευή.

Ρύθμιση "Min" : Χαμηλότερη ψύξη.

Ρύθμιση "Med" : Κανονική λειτουργία (επαρκής για τις περισσότερες περιπτώσεις)

Ρύθμιση "Max" : Δυνατή ψύξη.

2. Εάν στο χώρο υπάρχει υψηλή θερμοκρασία( πχ. πολύ θερμές καλοκαιρινές μέρες) μπορεί να είναι απαραίτητο να ρυθμίσετε τη συσκευή στην πολύ παγωμένη λειτουργία ( Max ) . Αυτό μπορεί να προκαλέσει την συνεχή λειτουργία του συμπιεστή, ώστε να διατηρεί την χαμηλή θερμοκρασία στη συσκευή.

3. Για την πρώτη φορά που θα θέσετε τη συσκευή σε λειτουργία, ρυθμίστε το διακόπτη στη κανονική λειτουργία ( Med ) . Αφήστε τη συσκευή να ψυχθεί πλήρως πριν αποθηκεύσετε τρόφιμα σε αυτή. Το ιδανικό είναι να αφήσετε τη συσκευή να λειτουργήσει για 24 ώρες προτού αποθηκεύσετε τρόφιμα σε αυτή. Ο διακόπτης του θερμοστάτη ελέγχει τη θερμοκρασία. Όταν ο διακόπτης του θερμοστάτη είναι στο OFF η συσκευή δεν λειτουργεί.

## **4.2 Θόρυβος εντός της μονάδας**

Μπορεί να παρατηρήσετε ότι η μονάδα σας παράγει κάποιο θόρυβο. Τις περισσότερες φορές είναι φυσιολογικό, αλλά παροτρύνετε να τους λαμβάνετε υπόψη. Οι θόρυβοι αυτοί παράγονται από την κυκλοφορία του ψυκτικού υγρού στο σύστημα ψύξης. Ο θόρυβος έχει γίνει πιο αισθητός με την εισαγωγή των αερίων CFC Free. Αυτό δεν αποτελεί πρόβλημα και δεν επηρεάζει την απόδοση της μονάδας. Ο ήχος προέρχεται από την λειτουργία του συμπιεστή, καθώς αντλεί το ψυκτικό υγρό.

## **4.3 Συμβουλές αποθήκευσης τροφίμων**

1. Μαγειρεμένα κρεατικά/ψάρια πρέπει πάντα να αποθηκεύονται στο ράφι πάνω από τα νωπά, για αποφυγή μεταφοράς βακτηριδίων. Αποθηκεύστε τα νωπά κρέατα/ψάρια σε δοχείο αρκετά μεγάλο ώστε να μπορεί να συγκρατήσει τα υγρά και καλύψτε το επαρκώς. Τοποθετείστε το δοχείο στο χαμηλότερο ράφι.

2. Αφήστε επαρκή χώρο γύρω από τα τρόφιμα, για να επιτρέπεται η σωστή κυκλοφορία του αέρα εντός της μονάδας. Βεβαιωθείτε ότι όλα τα τμήματα της συσκευής ψύχονται.

3. Για την αποφυγή μεταφοράς γέυσεων και ξήρανσης των τροφίμων, πακετάρετε και καλύψτε το κάθε φαγητό ξεχωριστά. Τα φρούτα και τα λαχανικά δε χρειάζεται να πακετάρονται.

4. Αφήνετε πάντα τα μαγειρεμένα φαγητά να κρυώσουν πριν τα αποθηκεύσετε στη μονάδα. Αυτό θα βοηθήσει στην διατήρηση της εσωτερικής θερμοκρασίας της μονάδας.

5. Για να αποτρέψετε την απώλεια ψύξης, προσπαθήστε να περιορίσετε τον αριθμό που ανοίγετε τη πόρτα. Συνιστούμε να ανοίγετε τη πόρτα μόνο όταν πρόκειται να βάλετε ή να βγάλετε τρόφιμα.

## **4.4 Αλλαγή της λυχνίας**

**Η αλλαγή της λυχνίας πρέπει να γίνεται από επαγγελματίες.**

## **5. ΚΑΘΑΡΙΣΜΟΣ**

### **5.1 Καθαρισμός του εσωτερικού και του εξωτερικού της μονάδας**

1. Αφαιρέστε όλα τα ράφια και τα δοχεία από τη συσκευή. Για να αφαιρέσετε το δοχείο, αφαιρέστε πρώτα το κάτω ράφι της πόρτας.

2. Καθαρίστε το εσωτερικό με ένα ελαφρύ διάλυμα σόδας και ξεβγάλτε το με χλιαρό νερό χρησιμοποιώντας ένα σφουγγάρι ή ένα πανί. Στεγνώστε το πλήρως πριν επανατοποθετήσετε τα ράφια της πόρτας.

3. Χρησιμοποιείστε ένα βρεγμένο πανί για να καθαρίσετε το εξωτερικό, και γυαλίστε το με ένα γυαλιστικό επίπλων. Βεβαιωθείτε ότι η πόρτα είναι κλειστή για την αποφυγή εισχώρησης του γυαλιστικού στο μαγνητικό κλείσιμο ή στο εσωτερικό της συσκευής.

4. Το πλέγμα του συμπυκνωτή στο πίσω μέρος της μονάδας και τα γύρω εξαρτήματα μπορούν να καθαριστούν με μια ηλεκτρική σκούπα με ακροφύσιο μαλακής βούρτσας.



## 5.2 Συμβουλές καθαρισμού

Μπορεί να υπάρξει υγρασία στο εξωτερικό της μονάδας. Αυτό μπορεί να οφείλεται στις αλλαγές θερμοκρασίας του χώρου στον οποίο έχει τοποθετηθεί η συσκευή. Καθαρίστε την υγρασία από τις εξωτερικές επιφάνειες. Εάν το πρόβλημα συνεχίζεται, επικοινωνήστε με εξειδικευμένο τεχνικό για βοήθεια.

## 6. ΣΥΝΤΗΡΗΣΗ

### 6.1 Αντικατάσταση της λυχνίας

Η αλλαγή της λυχνίας πρέπει να γίνεται από επαγγελματίες.

### 6.2 Προσοχή κατά τη μεταφορά/μετακίνηση

Κρατήστε τη συσκευή από τις πλάγιες πλευρές του ή από τη βάση όταν το μετακινείτε. Σε καμία περίπτωση δεν πρέπει να σηκώνετε τη συσκευή από το πάνω μέρος της.

### 6.3 Επισκευή

Η συσκευή πρέπει να επισκευάζεται μόνο από εξειδικευμένο τεχνικό και μόνο γνήσια ανταλλακτικά πρέπει να χρησιμοποιηθούν. Σε καμία περίπτωση μην επιχειρήσετε να επισκευάσετε τη συσκευή μόνοι σας. Οι επισκευές από μη εξειδικευμένα άτομα μπορούν να προκαλέσουν τραυματισμό ή σοβαρή βλάβη στη συσκευή. Επικοινωνήστε με εξειδικευμένο τεχνικό.

### 6.4 Απενεργοποίηση για μεγάλο χρονικό διάστημα

Όταν η μονάδα πρόκειται να μην χρησιμοποιηθεί για μεγάλο χρονικό διάστημα, αποσυνδέστε τη από την παροχή ρεύματος, αδειάστε όλα τα τρόφιμα και καθαρίστε τη συσκευή. Αφήστε τη πόρτα ελαφρώς ανοιχτή για την αποφυγή ανεπιθύμητων οσμών.

## 7. ΑΝΙΧΝΕΥΣΗ ΒΛΑΒΩΝ

Τα ακόλουθα απλά θέματα μπορεί να τα λύσει ο χρήστης. Παρακαλείσθε να καλέσετε την τεχνική υποστήριξη εάν τα προβλήματα δεν τακτοποιηθούν.

Δεν λειτουργεί η συσκευή	Ελέγξτε εάν η συσκευή είναι συνδεδεμένη στο ρεύμα σωστά. Ελέγξτε εάν η συσκευή βραχυκυκλώνει το δίκτυο σας. Ελέγξτε εάν υπάρχει διακοπή ρεύματος ή πτώσεις τάσης.
Οσμές	Τρόφιμα με ιδιαίτερες οσμές πρέπει να πακετάρονται καλά. Ελέγξτε εάν είναι κάποιο τρόφιμο χαλασμένο. Ελέγξτε εάν πρέπει να καθαριστεί το εσωτερικό της συσκευής.
Ο συμπιεστής λειτουργεί διαρκώς	Είναι φυσικό να λειτουργεί ο συμπιεστής συνεχώς το καλοκαίρι όταν η θερμοκρασία του χώρου είναι υψηλή. Μην τοποθετείτε υπερβολικές ποσότητες τροφίμων στη συσκευή. Μην τοποθετείτε ζεστά φαγητά στη συσκευή. Συχνά ανοίγματα της πόρτας της συσκευής.
Δεν ανάβει η λυχνία εσωτερικού φωτισμού.	Ελέγξτε εάν η συσκευή είναι συνδεδεμένη στο ρεύμα σωστά. Ελέγξτε εάν η λυχνία έχει υποστεί ζημιά.
Η πόρτα της συσκευής δεν κλείνει σωστά.	Τρόφιμα εμποδίζουν την πόρτα από το να κλείσει σωστά. Υπερβολική ποσότητα τροφίμων στη συσκευή. Η συσκευή δεν είναι επίπεδη.
Δυνατός θόρυβος.	Ελέγξτε εάν τα τρόφιμα είναι σωστά τοποθετημένα. Ελέγξτε εάν η συσκευή είναι σε ισορροπία. Ελέγξτε εάν τα στοιχεία της συσκευής έχουν τοποθετηθεί σωστά.

## 7.1 Συμβουλές για την θερμότητα

1. Ο μηχανισμός ψύξης μπορεί να εκπέμπει θερμότητα ειδικά τους καλοκαιρινούς μήνες, και είναι φυσιολογικό.
2. Η υγρασία στις εξωτερικές επιφάνειες της μονάδας οφείλεται στην υψηλή υγρασία του χώρου και είναι φυσιολογικό. Μπορείτε να απομακρύνετε την υγρασία σκουπίζοντας την με ένα πανί.
3. Ένας βόμβος παράγεται όταν λειτουργεί ο συμπιεστής και ιδιαίτερα κατά την εκκίνηση ή την απενεργοποίηση της συσκευής.

## 8. ΣΥΜΒΟΥΛΕΣ ΓΙΑ ΕΞΟΙΚΟΝΟΜΗΣΗ ΕΝΕΡΓΕΙΑΣ

Προσπαθήστε να μην ανοίγετε άσκοπα την πόρτα της συσκευής, ιδιαίτερα όταν υπάρχει στο χώρο υψηλή θερμοκρασία και υψηλή υγρασία. Όταν ανοίγετε τη πόρτα κλείστε τη το συντομότερο δυνατόν.

Ελέγχετε ανά τακτά χρονικά διαστήματα ότι υπάρχει επαρκής κυκλοφορία αέρα πίσω από τη συσκευή.

Σε κανονικές συνθήκες θερμοκρασίας, παρακαλείσθε να ρυθμίσετε το θερμοστάτη στη μεσαία κλίμακα.

Πριν εισάγετε τρόφιμα στη συσκευή βεβαιωθείτε ότι τα τρόφιμα είναι σε θερμοκρασία δωματίου.

Το στρώμα πάγου που δημιουργείται στη συσκευή μπορεί να αυξήσει την κατανάλωση ενέργειας, επομένως καθαρίστε τη συσκευή όταν το στρώμα πάγου είναι μεγαλύτερο από 3-5mm.

Εάν υπάρξει εξωτερική υγρασία, βεβαιωθείτε ότι ο τοίχος πίσω από τη συσκευή είναι καθαρός.

1. Η συσκευή ενδείκνυται να είναι τοποθετημένη στο πιο δροσερό σημείο του χώρου, μακριά από άλλες συσκευές που εκπέμπουν θερμότητα και σε σημείο χωρίς ιδιαίτερη έκθεση στον ήλιο.
2. Αφήστε τα ζεστά φαγητά να αποκτήσουν θερμοκρασία δωματίου πριν τα αποθηκεύσετε στη συσκευή. Υπέρ γεμίζοντας τη συσκευή με τρόφιμα προκαλείτε η εκτεταμένη λειτουργία του συμπιεστή. Τρόφιμα που ψύχονται αργά μπορεί να αλλοιωθούν.
3. Βεβαιωθείτε πως τα τρόφιμα είναι τυλιγμένα σωστά, και σκουπίζετε τα σκεύη ώστε να είναι στεγνά πριν τα τοποθετήσετε στη συσκευή. Αυτό μειώνει τις πιθανότητες για την δημιουργία πάγου στα τοιχώματα της συσκευής.
4. Τα δοχεία της συσκευής δεν πρέπει να έρχονται σε επαφή με στρώσεις αλουμινίου, κεριού ή χαρτόνι. Οι στρώσεις αυτές επηρεάζουν την ροή του παγωμένου αέρα, μειώνοντας την απόδοση της συσκευής.
5. Οργανώστε και βάλτε ετικέτες στα τρόφιμα για να μειώσετε τον χρόνο που παραμένει ανοικτή η πόρτα της συσκευής. Αφαιρέστε όσα περισσότερα απαραίτητα τρόφιμα από τη συσκευή με κάθε άνοιγμα, και κλείνετε τη πόρτα το συντομότερο δυνατό.

## 9. ΑΠΟΡΡΙΨΗ

Οι παλαιές συσκευές διαθέτουν ακόμη υπολειμματική αξία. Μια οικολογική μέθοδος της απόρριψης διασφαλίζει ότι οι πολύτιμες πρώτες ύλες μπορούν να ανακυκλωθούν και να επαναχρησιμοποιηθούν. Το ψυκτικό υγρό και τα μονωτικά υλικά που περιέχει η συσκευή σας απαιτούν ιδιαίτερη διαδικασία απομάκρυνσης. Βεβαιωθείτε ότι κανένας σωλήνας στο πίσω μέρος της συσκευής δεν έχει υποστεί ζημία πριν την απόρριψη. Οι νεότερες οδηγίες και επιλογές για την απόρριψη της συσκευής σας είναι διαθέσιμες από τον προμηθευτή σας.

Όταν απορρίπτετε μια παλιά συσκευή, απομακρύνετε πιθανά λουκέτα ή άλλους τρόπους ασφάλισης και αφαιρέστε τη πόρτα.

### Σωστή απόρριψη αυτής της συσκευής.

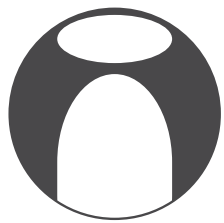


Σωστή απόρριψη αυτής της συσκευής.

Αυτή η σήμανση σημαίνει ότι αυτή η συσκευή δεν πρέπει να απορρίπτεται μαζί με άλλες οικιακές συσκευές στη ΕΕ. Για την αποφυγή πιθανών μολύνσεων του περιβάλλοντος ή της υγείας των ανθρώπων από την αλόγιστη απόρριψη της συσκευής, ανακυκλώστε την και διασφαλίστε την επαναχρησιμοποίηση των πρώτων υλών.

Για την επιστροφή της χρησιμοποιημένης συσκευής σας παρακαλείσθε να επικοινωνήσετε με τον προμηθευτή σας. Έτσι η συσκευή θα ανακυκλωθεί με ασφάλεια.

Για περισσότερες πληροφορίες επικοινωνήστε με τις τοπικές αρχές ή τον έμπορο από τον οποίο προμηθευτήκατε τη συσκευή.



**inventor**<sup>®</sup>

Your-conditions

